

**Spare parts list**  
**(5.970-738.0) Spare parts list Treadway**

To Order Parts Call 1-888-702-5326 - <https://monsterfloorequipmentparts.com>

**Table of contents**

---

**Spare parts list Treadway (5.970-738.0)** ..... 3

10 Individual parts (0.141-045.0) ..... 4

20 Frame (0.141-298.0) ..... 6

    21 Frame (0.141-047.0) ..... 7

    22 Frame (0.141-299.0) ..... 10

30 Footstep unit (0.141-053.0) ..... 13

40 Tank (0.141-054.0) ..... 15

50 Piping (0.141-058.0) ..... 18

60 Control console (0.141-074.0) ..... 20

70 Power brush (0.141-117.0) ..... 22

    71 Power brush (0.141-118.0) ..... 23

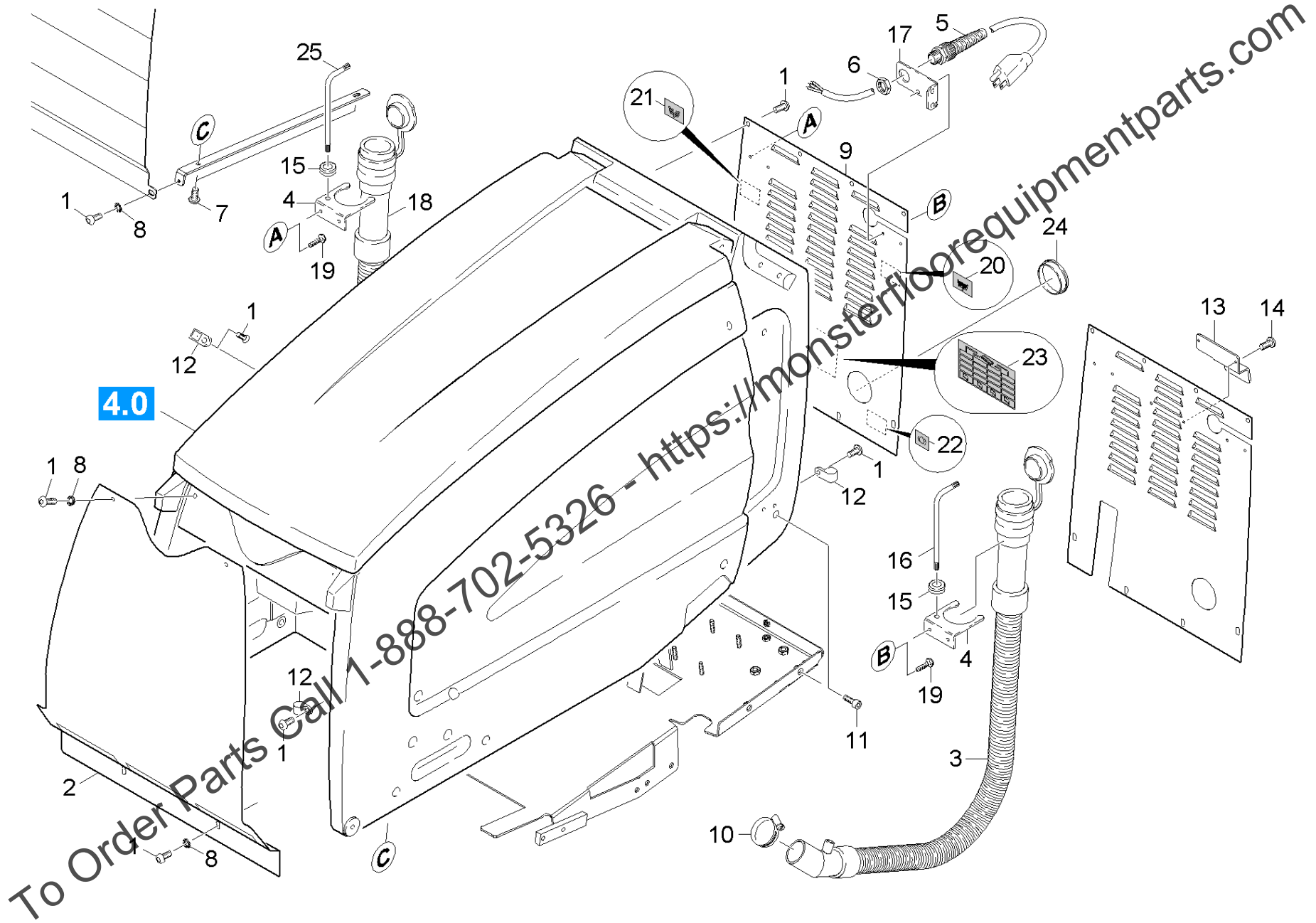
    72 Transmission (0.141-121.0) ..... 26

To Order Parts Call 1-888-702-5326 - <https://monsterfloorequipmentparts.com>

Spare parts list Treadway (5.970-738.0)

Pos	Material #	Name
10	0.141-045.0	Individual parts
20	0.141-298.0	Frame
30	0.141-053.0	Footstep unit
40	0.141-054.0	Tank
50	0.141-058.0	Piping
60	0.141-074.0	Control console
70	0.141-117.0	Power brush

To Order Parts Call 1-888-702-5326 - <https://monsterfloorequipmentparts.com>



10 Individual parts (0.141-045.0)

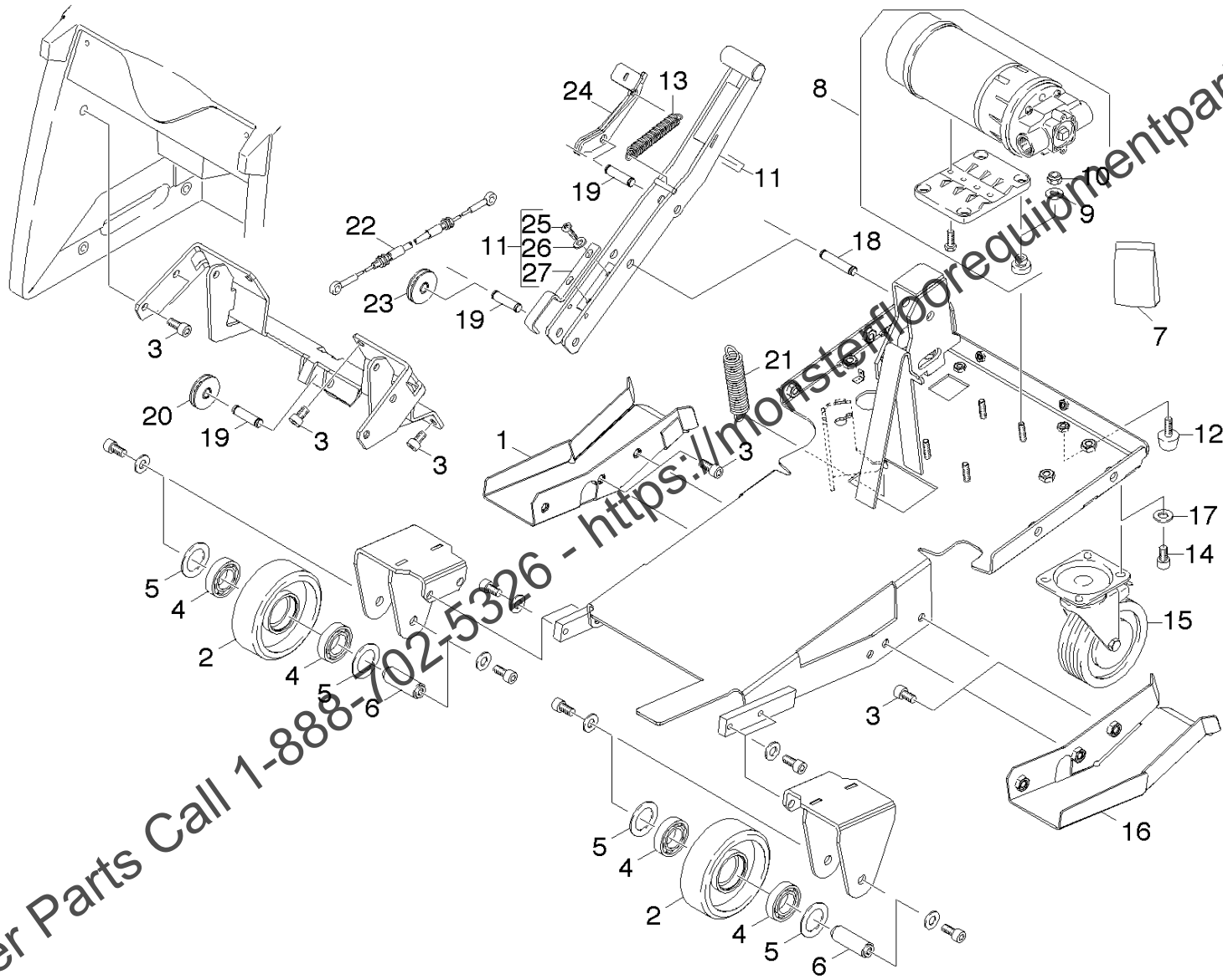
ET/VT (spare/wear parts)	Pos	Material #	Name	Qty.	Unit	from ser.nr.	up to ser.nr.	Footnote text
	1	7.306-180.0	Screw M5x10-A2-70 (In6Rd)	17.000	ST	0000000000	0000000000	
	2	5.007-438.0	Cover plate front	1.000	ST	0000000000	0000000000	
X-X	3	6.390-756.0	Drain hose fresh water DN38 BR4735	1.000	ST	0000000000	0000000000	FRESH WATER
	4	5.059-970.0	Sheet metal component	2.000	ST	0000000000	0000000000	
X-X	5	6.641-617.0	Cable gland	1.000	ST	0000000000	0000000000	
	6	6.641-369.0	Locknut PG13,5	1.000	ST	0000000000	0000000000	
X-X	7	7.303-104.0	Screw 5x16 -A2-70 (IN6RD)	4.000	ST	0000000000	0000000000	
X-X	8	7.312-041.0	Serrated lock washer A5,3-1.4310 DIN 67	4.000	ST	0000000000	0000000000	
	9	5.007-437.0	Cover plate rear	1.000	ST	0000000000	0000000000	
X-X	10	6.388-549.0	Hose clip	2.000	ST	0000000000	0000000000	
X-X	11	7.306-144.0	Cylinder head screw M 8x20-A2-70 ISO 47	8.000	ST	0000000000	0000000000	
	12	6.641-461.0	Cable clamp 20	4.000	ST	0000000000	0000000000	
	13	5.008-962.0	Plate holder	1.000	ST			
	14	7.306-056.0	Screw M4x8 -8.8-R2R (In6Rd)	2.000	ST	0000000000	0000000000	
	15	6.648-739.0	Rubber bushing	2.000	ST	0000000000	0000000000	
	16	6.815-196.0	Screw driver TX 25	1.000	ST	0000000000	0000000000	
	17	5.044-556.0	Holder strain relief	1.000	ST	0000000000	0000000000	
X	18	6.390-832.0	Drain hose DN38 BR 4735	1.000	ST	0000000000	0000000000	SLOOPY WATER
X	19	7.303-138.0	Sheet metal screw ST4,2X9,5-A2-70-SCHW (	4.000	ST	0000000000	0000000000	
	20	5.390-417.0	Label waste water	1.000	ST	0000000000	0000000000	
	21	5.384-387.0	Label fresh water	1.000	ST	0000000000	0000000000	
	22	5.382-679.0	Label brake	2.000	ST	0000000000	0000000000	
	23	5.391-051.0	Label BR 4735 ESC KAMMFARBEN	1.000	ST	0000000000	0000000000	
	24	6.368-101.0	Cap	1.000	ST	0000000000	0000000000	
	25	7.815-139.0	Cranked wrench key 4,0-St ISO 2936	1.000	ST			

To Order Parts Call 1-888-102-5326 - <https://monsterfloorequipmentparts.com>

20 Frame (0.141-298.0)

Pos	Material #	Name	Qty.	Unit	Footnote text
21	0.141-047.0	Frame	1.000	ST	VERSION 1
22	0.141-299.0	Frame	2.000	ST	VERSION 2

To Order Parts Call 1-888-702-5326 - <https://monsterfloorequipmentparts.com>



To Order Parts Call 1-888-702-5326 - <https://monsterfloorequipmentparts.com>

21 Frame (0.141-047.0)

ET/VT (spare/wear parts)	Pos	Material #	Name	Qty.	Unit	from ser.nr.	up to ser.nr.
	1	5.008-953.0	Guard plate right	1.000	ST	0000000000	0000000000
X-X	2	6.435-687.0	Wheel 100x40	2.000	ST	0000000000	0000000000
	3	7.306-119.0	Cylinder head screw M8x12 -A2-70 ISO 47	12.000	ST	0000000000	0000000000
X-X	4	6.401-373.0	Ball bearing 15x28x7-61902-2RS	4.000	ST	0000000000	0000000000
X	5	5.116-058.0	Washer	4.000	ST	0000000000	0000000000
X	6	5.317-030.0	Bolt wheel	2.000	ST	0000000000	0000000000
	7	6.761-321.0	Set of gaskets	1.000	ST	0000000000	0000000000
	8	6.473-444.0	Pump	1.000	ST		
X-X	9	7.312-292.0	Washer 6 -A2 ISO 7093-1	4.000	ST	0000000000	0000000000
X-X	10	7.311-067.0	Hexagon nut M 6-A2-70 ISO 4032	4.000	ST	0000000000	0000000000
	11	4.481-252.0	Pedal complete BR 4735 ESC	1.000	ST	0000000000	0000000000
	12	6.339-207.0	Rubber buffer	2.000	ST	0000000000	0000000000
	13	6.330-401.0	Extension spring	1.000	ST	0000000000	0000000000
	14	7.306-040.0	Cylinder head screw M8x16 -8.8-A2E ISO4	8.000	ST	0000000000	0000000000
X-X	15	4.515-078.0	Fixed castor complete	2.000	ST	0000000000	0000000000
	16	5.008-952.0	Guard plate left	1.000	ST	0000000000	0000000000
X-X	17	7.312-289.0	Washer 8 -A2 ISO 7093-1	10.000	ST	0000000000	0000000000
	18	5.116-214.0	Bolt	1.000	ST	0000000000	0000000000
	19	5.116-213.0	Bolt	3.000	ST	0000000000	0000000000
	20	5.435-017.0	Deflection pulley front	2.000	ST	0000000000	0000000000
X-X	21	6.330-209.0	Extension spring	1.000	ST	0000000000	0000000000
X-X	22	6.481-380.0	Bowden wire	1.000	ST	0000000000	0000000000
	23	5.100-573.0	Deflection pulley rear an Pedal	1.000	ST		
X-X	24	2.882-649.0	Conversion kit locking part	1.000	ST		
	25	7.306-077.0	Screw M5x16 -8.8-R2R (In6Rd)	2.000	ST		

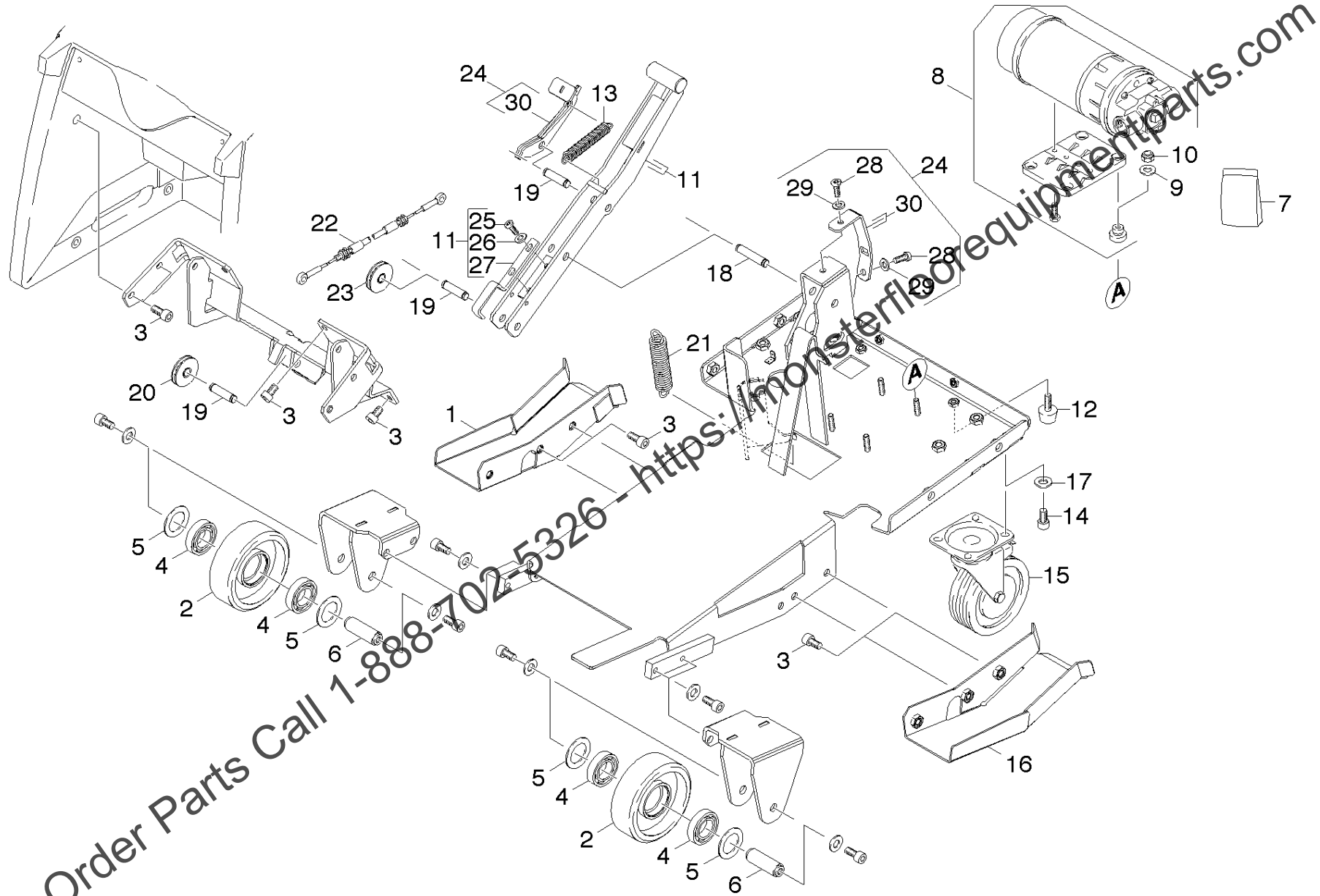
To Order Parts Call 1-888-102-5326 - <https://monsterfloorequipmentparts.com>



21 Frame (0.141-047.0)

ET/VT (spare/wear parts)	Pos	Material #	Name	Qty.	Unit	from ser.nr.	up to ser.nr.
X-X	26	7.312-002.0	Washer 5-200HV-A3E ISO 7090	2.000	ST		
	27	5.062-039.0	Retaining bracket roller	1.000	ST		

To Order Parts Call 1-888-702-5326 - <https://monsterfloorequipmentparts.com>



22 Frame (0.141-299.0)

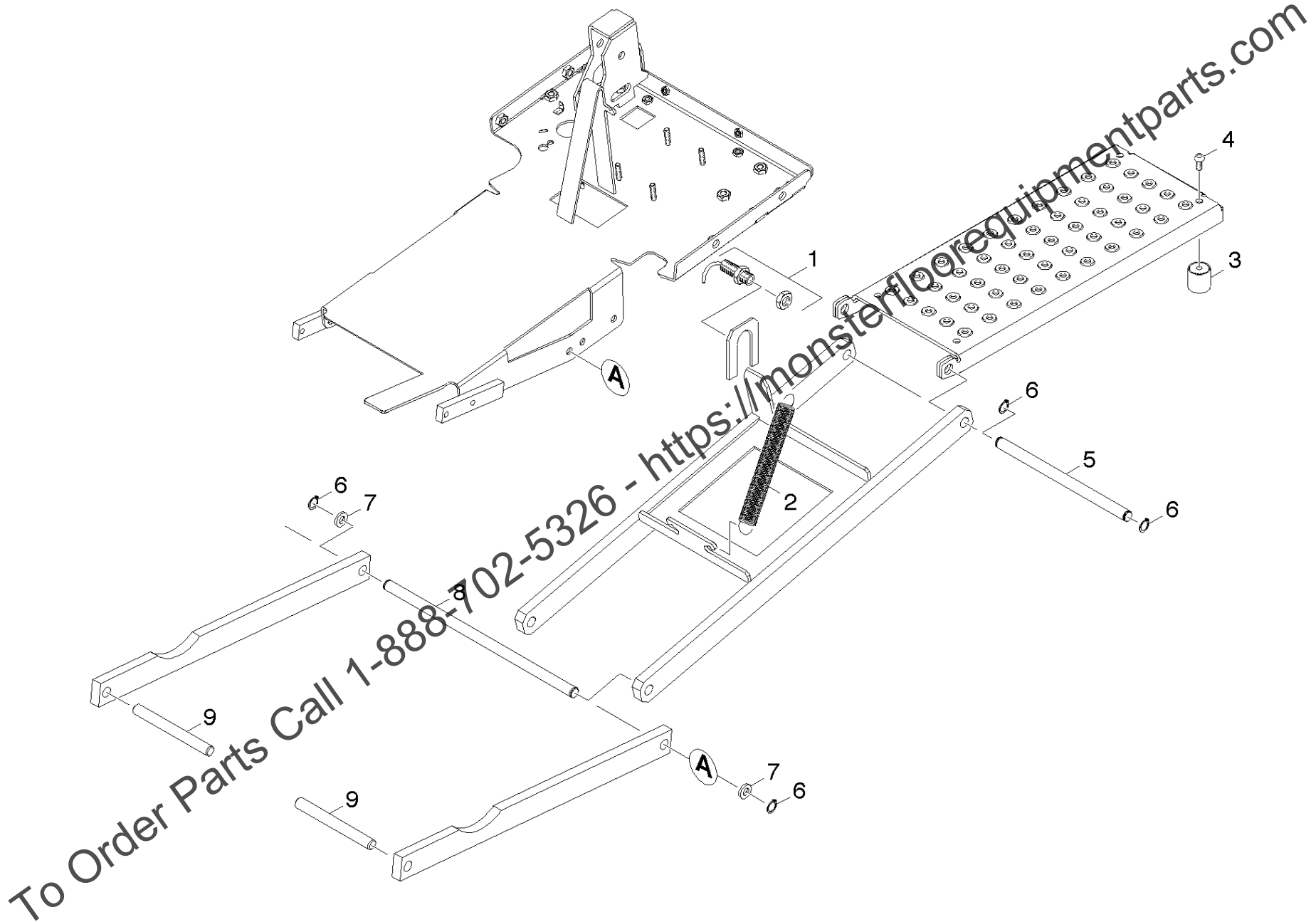
ET/VT (spare/wear parts)	Pos	Material #	Name	Qty.	Unit	from ser.nr	up to ser.nr.
	1	5.008-953.0	Guard plate right	1.000	ST	0000000000	0000000000
X-X	2	6.435-687.0	Wheel 100x40	2.000	ST	0000000000	0000000000
	3	7.306-119.0	Cylinder head screw M8x12 -A2-70 ISO 47	12.000	ST	0000000000	0000000000
X-X	4	6.401-373.0	Ball bearing 15x28x7-61902-2RS	4.000	ST	0000000000	0000000000
X	5	5.116-058.0	Washer	4.000	ST	0000000000	0000000000
X	6	5.317-030.0	Bolt wheel	2.000	ST	0000000000	0000000000
	7	6.761-321.0	Set of gaskets	1.000	ST	0000000000	0000000000
	8	6.473-444.0	Pump	1.000	ST		
X-X	9	7.312-292.0	Washer 6 -A2 ISO 7093-1	4.000	ST	0000000000	0000000000
X-X	10	7.311-067.0	Hexagon nut M 6-A2-70 ISO 4032	4.000	ST	0000000000	0000000000
	11	4.481-252.0	Pedal complete BR 4735 ESC	1.000	ST	0000000000	0000000000
	12	6.339-207.0	Rubber buffer	2.000	ST	0000000000	0000000000
	13	6.330-401.0	Extension spring	1.000	ST	0000000000	0000000000
	14	7.306-040.0	Cylinder head screw M8x16 -8.8-A2E ISO4	8.000	ST	0000000000	0000000000
X-X	15	4.515-078.0	Fixed castor complete	2.000	ST	0000000000	0000000000
	16	5.008-952.0	Guard plate left	1.000	ST	0000000000	0000000000
X-X	17	7.312-289.0	Washer 8 -A2 ISO 7093-1	10.000	ST	0000000000	0000000000
	18	5.116-214.0	Bolt	1.000	ST	0000000000	0000000000
	19	5.116-213.0	Bolt	3.000	ST	0000000000	0000000000
	20	5.435-017.0	Deflection pulley front	2.000	ST	0000000000	0000000000
X-X	21	6.330-209.0	Extension spring	1.000	ST	0000000000	0000000000
X-X	22	6.481-380.0	Bowden wire	1.000	ST	0000000000	0000000000
	23	5.100-573.0	Deflection pulley rear an Pedal	1.000	ST		
X-X	24	2.882-649.0	Conversion kit locking part	1.000	ST		
	25	7.306-077.0	Screw M5x16 -8.8-R2R (In6Rd)	2.000	ST		

To Order Parts Call 1-888-102-5326 - <https://monsterfloorequipmentparts.com>

22 Frame (0.141-299.0)

ET/VT (spare/wear parts)	Pos	Material #	Name	Qty.	Unit	from ser.nr.	up to ser.nr.
X-X	26	7.312-002.0	Washer 5-200HV-A3E ISO 7090	2.000	ST		
	27	5.062-039.0	Retaining bracket roller	1.000	ST		
X-X	28	7.306-089.0	Screw M6x12 -8.8-R2R (In6Rd)	2.000	ST		
	29	7.312-045.0	Washer 6-200HV-P4E ISO 7089	2.000	ST		
	30	4.481-253.0	Lever and strap nur fuer Ersatz	1.000	ST		

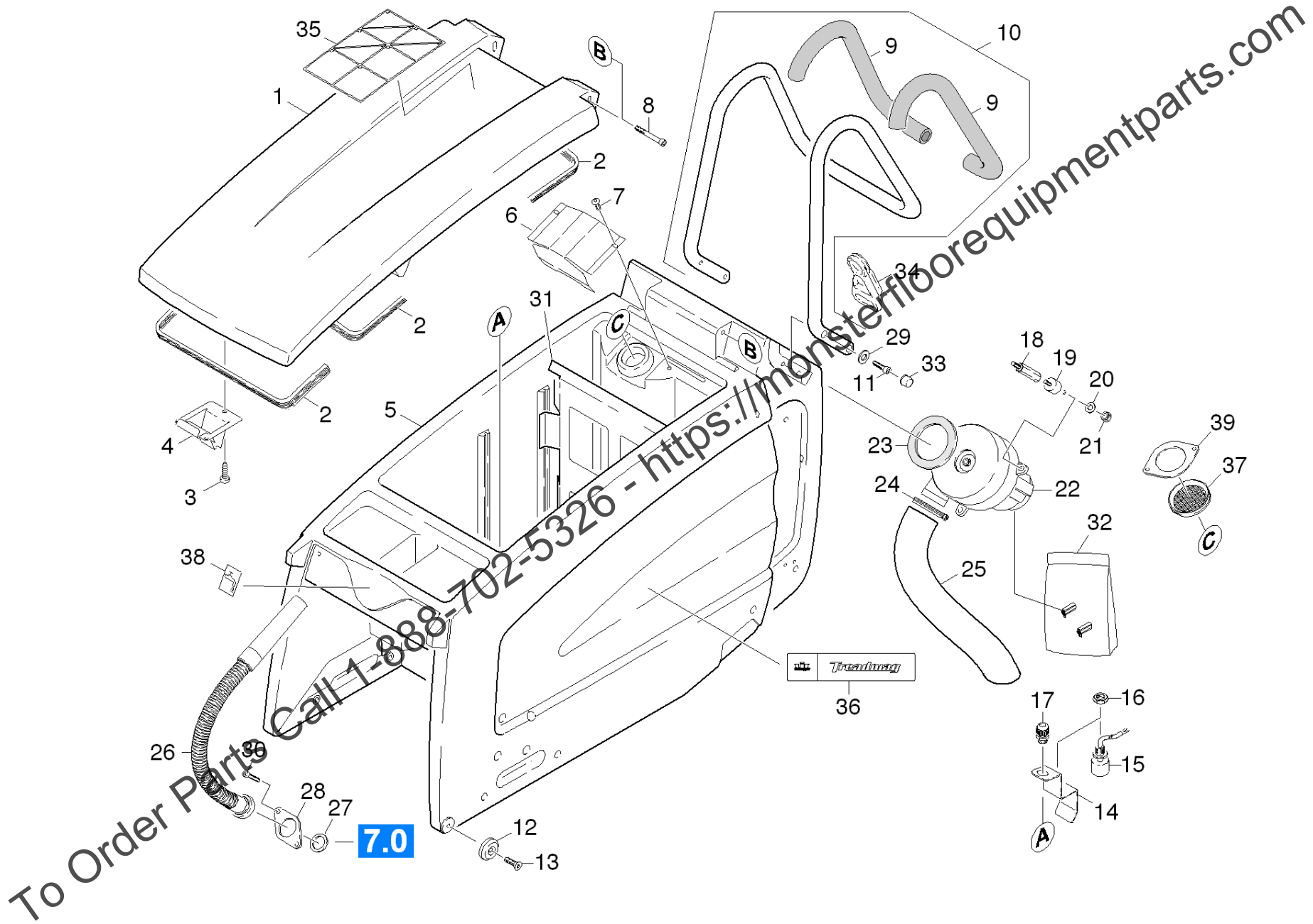
To Order Parts Call 1-888-702-5326 - <https://monsterfloorequipmentparts.com>



30 Footstep unit (0.141-053.0)

ET/VT (spare/wear parts)	Pos	Material #	Name	Qty.	Unit	from ser.nr.	up to ser.nr.
	1	6.635-423.0	Proximity switch M12x1	1.000	ST	0000000000	0000000000
X	2	6.997-061.0	Spring	1.000	ST	0000000000	0000000000
X	3	6.339-238.0	Rubber buffer	4.000	ST	0000000000	0000000000
X-X	4	7.306-087.0	Screw M6x10 -8.8-R3R (In6Rd)	4.000	ST	0000000000	0000000000
	5	5.100-400.0	Shaft	1.000	ST	0000000000	0000000000
X-X	6	7.343-001.0	Locking ring 10x1-Rf-St DIN 471	4.000	ST	0000000000	0000000000
X-X	7	7.312-066.0	Washer 10 -A2 ISO 7090	2.000	ST	0000000000	0000000000
	8	5.317-100.0	Bolt	1.000	ST	0000000000	0000000000
	9	5.317-195.0	Bolt	2.000	ST	0000000000	0000000000

To Order Parts Call 1-888-702-5326 - <https://monsterfloorequipmentparts.com>



40 Tank (0.141-054.0)

ET/VT (spare/wear parts)	Pos	Material #	Name	Qty.	Unit	from ser.nr.	up to ser.nr.	Footnote text
	1	5.064-005.0	Cover waste water tank	1.000	ST	0000000000	0000000000	
X	2	6.365-318.0	Sealing profile	1.000	M	0000000000	0000000000	TO ORDER AS CUT GOODS
X-X	3	7.303-104.0	Screw 5x16 -A2-70 (IN6RD)	2.000	ST	0000000000	0000000000	
	4	5.007-439.0	Plate closure	1.000	ST	0000000000	0000000000	
	5	5.071-191.0	Tank blue	1.000	ST			
	6	5.007-434.0	Cover plate turbine	1.000	ST	0000000000	0000000000	
	7	7.306-180.0	Screw M5x10-A2-70 (In6Rd)	2.000	ST	0000000000	0000000000	
	8	7.306-151.0	Cylinder head screw M8x65 -8.8-A2E ISO4	2.000	ST	0000000000	0000000000	
	9	6.390-269.0	Hose	1.000	M	0000000000	0000000000	TO ORDER AS CUT GOODS
	10	5.034-672.0	Retaining bracket with hose	1.000	ST	0000000000	0000000000	
X-X	11	7.306-019.0	Cylinder head screw M8x35 -A4-70 ISO 47	4.000	ST	0000000000	0000000000	
	12	6.368-360.0	Protection part	2.000	ST	0000000000	0000000000	
X	13	7.305-035.0	Countersunk screw M 4x10-A2-70-SCNW IN	2.000	ST	0000000000	0000000000	
	14	5.044-555.0	Holder float regulator	1.000	ST			
X-X	15	6.631-846.0	Float regulator	1.000	ST	0000000000	0000000000	
	16	6.641-369.0	Locknut PG13,5	1.000	ST	0000000000	0000000000	
	17	6.641-278.0	Cable gland PG7	1.000	ST	0000000000	0000000000	
X-X	18	5.308-056.0	Stud bolt	3.000	ST	0000000000	0000000000	
X-X	19	6.339-021.0	Rubber buffer 2xM6-D20 H15	3.000	ST	0000000000	0000000000	
X-X	20	7.312-292.0	Washer 6 -A2 ISO 7093-1	3.000	ST	0000000000	0000000000	
X-X	21	7.311-067.0	Hexagon nut M 6-A2-70 ISO 4032	3.000	ST	0000000000	0000000000	
	22	6.490-183.0	Vacuum motor 120V	1.000	ST			
	23	5.963-111.0	Joint ring	2.000	ST	0000000000	0000000000	
X-X	24	6.388-713.0	Hose clip	1.000	ST	0000000000	0000000000	
X-X	25	6.388-949.0	SUCTION TUBE	1.000	ST	0000000000	0000000000	

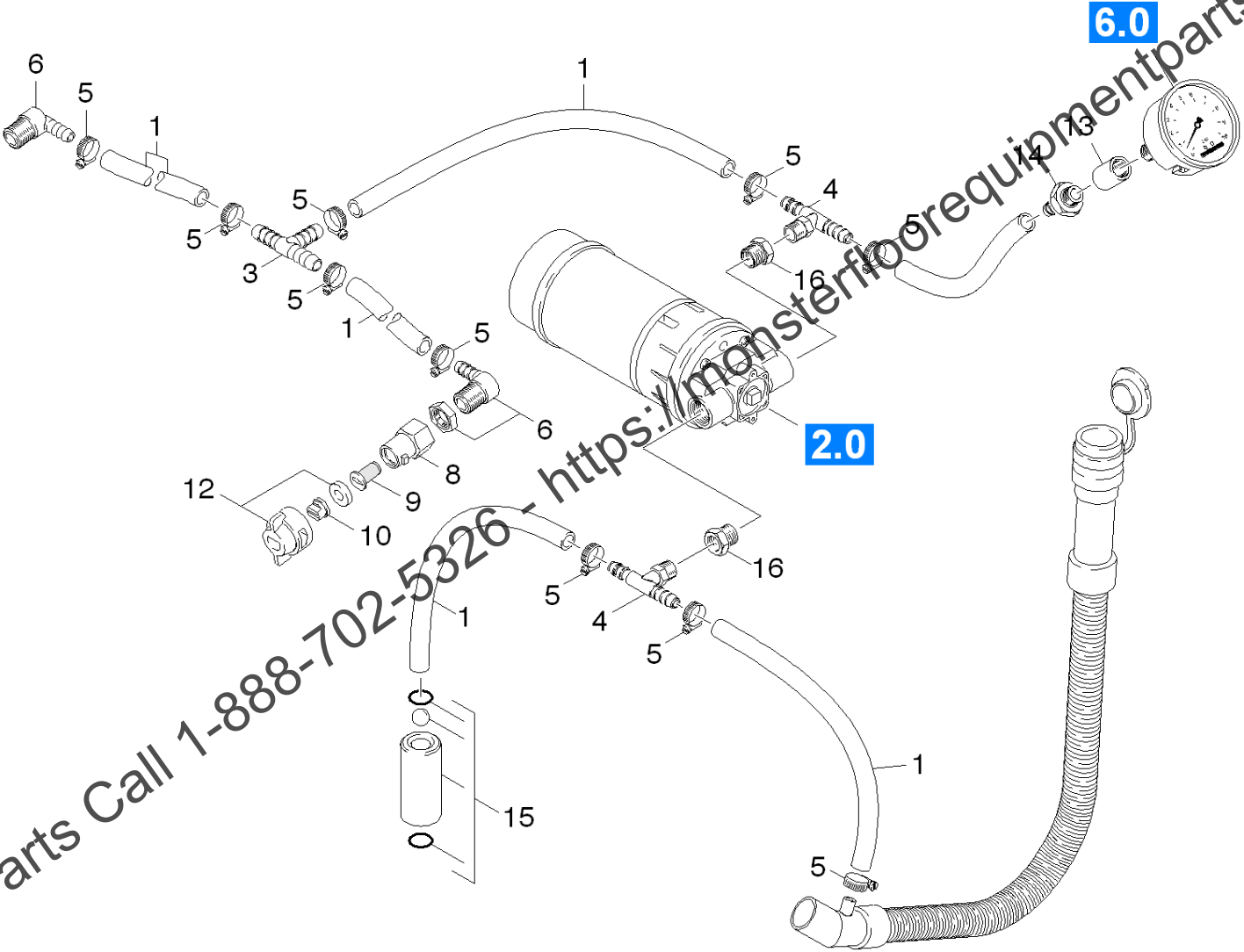
To Order Parts Call 1-888-702-5326 - <https://monsterfloorequipmentparts.com>



40 Tank (0.141-054.0)

ET/VT (spare/wear parts)	Pos	Material #	Name	Qty.	Unit	from ser.nr.	up to ser.nr.	Footnote text
X-X	26	6.391-502.0	Suction hose	4.000	ST			
X	27	6.312-114.0	Joint ring	4.000	ST	0000000000	0000000000	
	28	5.122-410.0	Flange	4.000	ST	0000000000	0000000000	
X-X	29	7.312-289.0	Washer 8 -A2 ISO 7093-1	4.000	ST	0000000000	0000000000	
X-X	30	7.306-193.0	Screw M6x16 -A2-70 (In6Rd)	8.000	ST	0000000000	0000000000	
	31	5.007-435.0	Plate front SCHWALL	1.000	ST	0000000000	0000000000	
X-X	32	6.610-221.0	Carbon brush set	1.000	ST	0000000000	0000000000	
X	33	6.368-295.0	Protecting cap	4.000	ST	0000000000	0000000000	
	34	6.641-776.0	Strain relief	1.000	ST	0000000000	0000000000	
	35	5.391-330.0	Label operating manual short	1.000	ST			
	36	5.391-869.0	Label Treadway	2.000	ST			
X-X	37	5.363-344.0	Joint ring	1.000	ST			
	38	5.380-554.0	Label Frischwasserzulauf	1.000	ST	0000000000	0000000000	
X-X	39	5.001-752.0	Plate	1.000	ST			

To Order Parts Call 1-888-702-5326 - <https://monsterfloorequipmentparts.com>

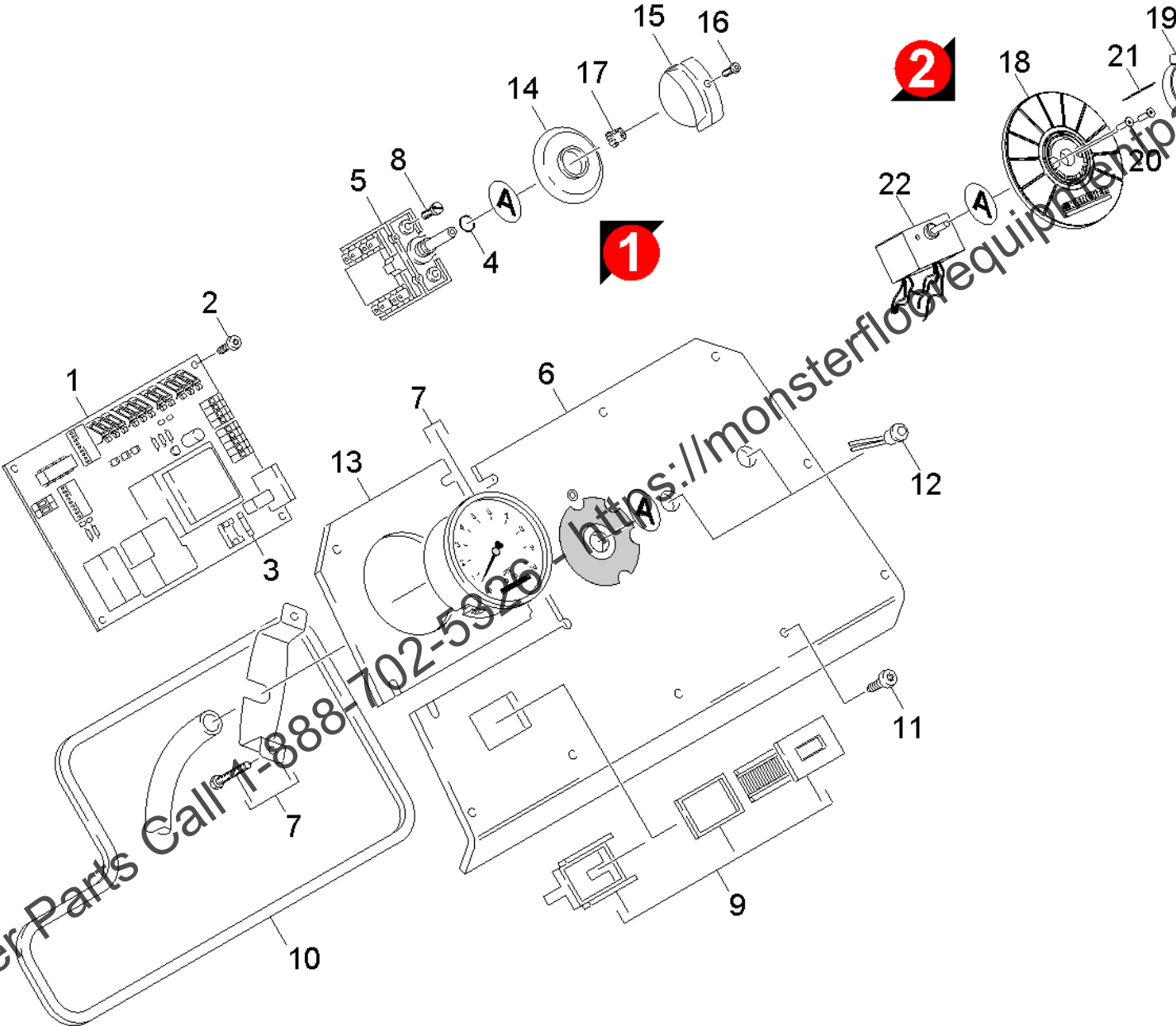


To Order Parts Call 1-888-702-5326

50 Piping (0.141-058.0)

ET/VT (spare/wear parts)	Pos	Material #	Name	Qty.	Unit	from ser.nr.	up to ser.nr.	Footnote text
X-X	1	6.388-247.0	Hose DN8 -PVC	1.000	M	0000000000	0000000000	TO ORDER AS CUT GOODS
X-X	3	6.389-606.0	T-Piece 8	1.000	ST	0000000000	0000000000	
X-X	4	6.390-129.0	T-screwed socket 8/R 1/4"	2.000	ST	0000000000	0000000000	
X-X	5	7.373-019.0	Hose clip A 10-16x9-W4 DIN3017	12.000	ST	0000000000	0000000000	
	6	6.415-818.0	Body with hose coupling	2.000	ST	0000000000	0000000000	
X-X	8	6.415-816.0	Body nozzle	2.000	ST	0000000000	0000000000	
X-X	9	6.414-689.0	Filter	2.000	ST	0000000000	0000000000	
X-X	10	6.415-817.0	Nozzle mouthpiece	2.000	ST	0000000000	0000000000	
X-X	12	6.414-690.0	Cap with joint ring	2.000	ST	0000000000	0000000000	
	13	7.387-073.0	Sleeve 1/4"-1.4541 EN 10241	1.000	ST	0000000000	0000000000	
X	14	5.443-233.0	Hose stem	1.000	ST	0000000000	0000000000	
	15	4.580-590.0	Ventilating valve water pump	1.000	ST	0000000000	0000000000	
	16	6.387-993.0	Reducing nipple 3/8"x1/4"	2.000	ST	0000000000	0000000000	

To Order Parts Call 1-888-702-5326 - <https://monsterfloorequipmentparts.com>



To Order Parts Call 1-888-702-5326 <https://monsterflooringequipmentparts.com>

60 Control console (0.141-074.0)

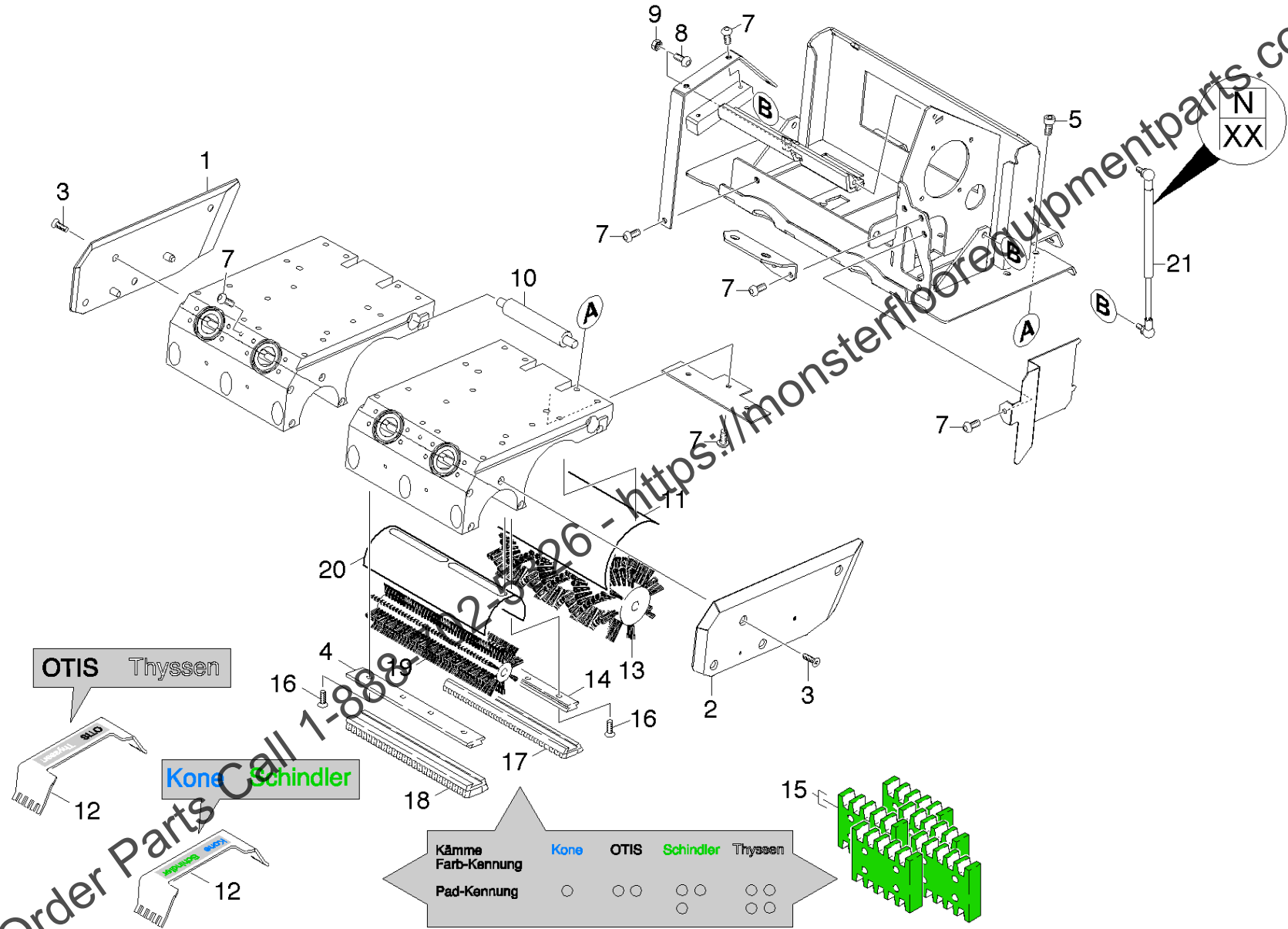
ET/VT (spare/wear parts)	Pos	Material #	Name	Qty.	Unit	Footnote text
	1	6.682-631.0	Control system escalator BR 4735 ESC	1.000	ST	
	2	7.303-026.0	Screw 4x16 -A2-70 (In6Rd)	4.000	ST	
	3	6.644-342.0	Fuse insert 0,05A 52x20mm	1.000	ST	
X-X	4	6.362-581.0	O-Ring seal 4,47x1,78	1.000	ST	VERSION 1
	5	6.630-218.0	Main switch with program selection	1.000	ST	VERSION 1
	6	4.841-183.0	Control panel complete	1.000	ST	
	7	6.997-076.0	Pressure gauge	1.000	ST	
X-X	8	7.306-057.0	Screw M4x10 -8.8-R2R (In6Rd)	2.000	ST	VERSION 1
	9	6.681-088.0	Hour counter	1.000	ST	
X-X	10	6.273-196.0	Seal string cellular rubber	1.000	M	TO ORDER AS CUT GOODS
X-X	11	7.303-104.0	Screw 5x16 -A2-70 (IN6RD)	12.000	ST	
	12	6.600-247.0	LED red	2.000	ST	
	13	5.841-436.0	Control panel	1.000	ST	
X-X	14	5.031-215.0	Screen	1.000	ST	VERSION 1
	15	5.321-415.0	Handhold	1.000	ST	VERSION 1
X-X	16	7.306-050.0	Screw M2,5x10 -8.8-R2R (In6Rd)	1.000	ST	VERSION 1
X-X	17	6.631-768.0	Binder handhold	1.000	ST	
	18	5.033-691.0	Moulded part program selection BR 47/35	1.000	ST	VERSION 2
X-X	19	5.321-738.0	Handhold operational concept	1.000	ST	VERSION 2
X-X	20	7.305-019.0	Countersunk screw M4x16 -8.8-R2R (In6Rd)	2.000	ST	VERSION 2
X-X	21	6.313-014.0	Spring element	1.000	ST	VERSION 2
	22	5.766-058.0	Main switch complete	1.000	ST	VERSION 2

To Order Parts Call 1-888-102-5326 - <https://monsterfloorequipmentparts.com>

70 Power brush (0.141-117.0)

Pos	Material #	Name	Qty.	Unit
71	0.141-118.0	Power brush	1.000	ST
72	0.141-121.0	Transmission	1.000	ST

To Order Parts Call 1-888-702-5326 - <https://monsterfloorequipmentparts.com>



OTIS Thyssen

Kone Schindler

Kämme	Kone	OTIS	Schindler	Thyssen
Farb-Kennung				
Pad-Kennung	○	○ ○	○ ○	○ ○

To Order Parts Call 1-888-232-2626 - <https://monsterfloorequipmentparts.com>

71 Power brush (0.141-118.0)

ET/VT (spare/wear parts)	Pos	Material #	Name	Qty.	Unit	from ser.nr.	up to ser.nr.	var. information	Footnote text
	1	4.063-823.0	Covering cap side right	1.000	ST	0000000000	0000000000		LEFT
	2	4.063-824.0	Covering cap side left	1.000	ST	0000000000	0000000000		RIGHT
X-X	3	7.305-052.0	Countersunk screw M6x12 -A2-70 (In6Rd)	8.000	ST	0000000000	0000000000		
X	4	6.997-005.0	Retainer comb AUSL	2.000	ST	0000000000	0000000000		
X	5	6.304-013.0	Cylinder head screw M 8X 16	8.000	ST	0000000000	0000000000		
X-X	7	7.306-192.0	Screw M 6x 12-A2-70 (In6Rd)	17.000	ST	0000000000	0000000000		
X-X	8	7.306-193.0	Screw M6x16 -A2-70 (In6Rd)	1.000	ST	0000000000	0000000000		
	9	7.311-020.0	Hexagon nut M 6-A4-70 ISO 7042	1.000	ST	0000000000	0000000000		
	10	6.997-012.0	Axle	2.000	ST	0000000000	0000000000		
X	11	6.997-006.0	Covering cap brush	2.000	ST	0000000000	0000000000		
X	12	6.369-507.0	Groove rake	1.000	ST	0000000000	0000000000	KONE	
X-X	12	6.369-508.0	Groove rake	1.000	ST	0000000000	0000000000	OTIS	
X-X	13	5.762-267.0	Roller brush hard black (old colour white)	2.000	ST	0000000000	0000000000		
X-X	13	5.762-266.0	Roller brush white (old colour black)	2.000	ST	0000000000	0000000000		
	14	6.997-004.0	Retainer comb insert	2.000	ST	0000000000	0000000000		
X	15	6.369-514.0	Pad	1.000	ZSA	0000000000	0000000000	OTIS	5 PIECE
X	15	6.369-513.0	Pad	1.000	ZSA	0000000000	0000000000	KONE	5 PIECE
	15	6.369-515.0	Pad	1.000	ZSA	0000000000	0000000000	SCHINDLER	5 PIECE
X	15	6.369-516.0	Pad	1.000	ZSA	0000000000	0000000000	THYSSEN	5 PIECE
X-X	16	7.305-053.0	Countersunk screw M6x16-A2-70 (IN6RD)	16.000	ST	0000000000	0000000000		
X-X	17	6.369-511.0	Guide comb green	1.000	ZSA	0000000000	0000000000	SCHINDLER	SET OF 2 PIECES
X	17	6.369-512.0	Guide comb white	1.000	ST	0000000000	0000000000	THYSSEN	SET OF 2 PIECES
X-X	17	6.369-510.0	Guide comb black	1.000	ZSA	0000000000	0000000000	OTIS-(BLACK)	SET OF 2 PIECES
X-X	17	6.369-509.0	Guide comb grey	1.000	ZSA	0000000000	0000000000	KONE	SET OF 2 PIECES
X-X	18	6.369-519.0	Guide comb grey	1.000	ZSA	0000000000	0000000000	KONE	SET OF 2 PIECES

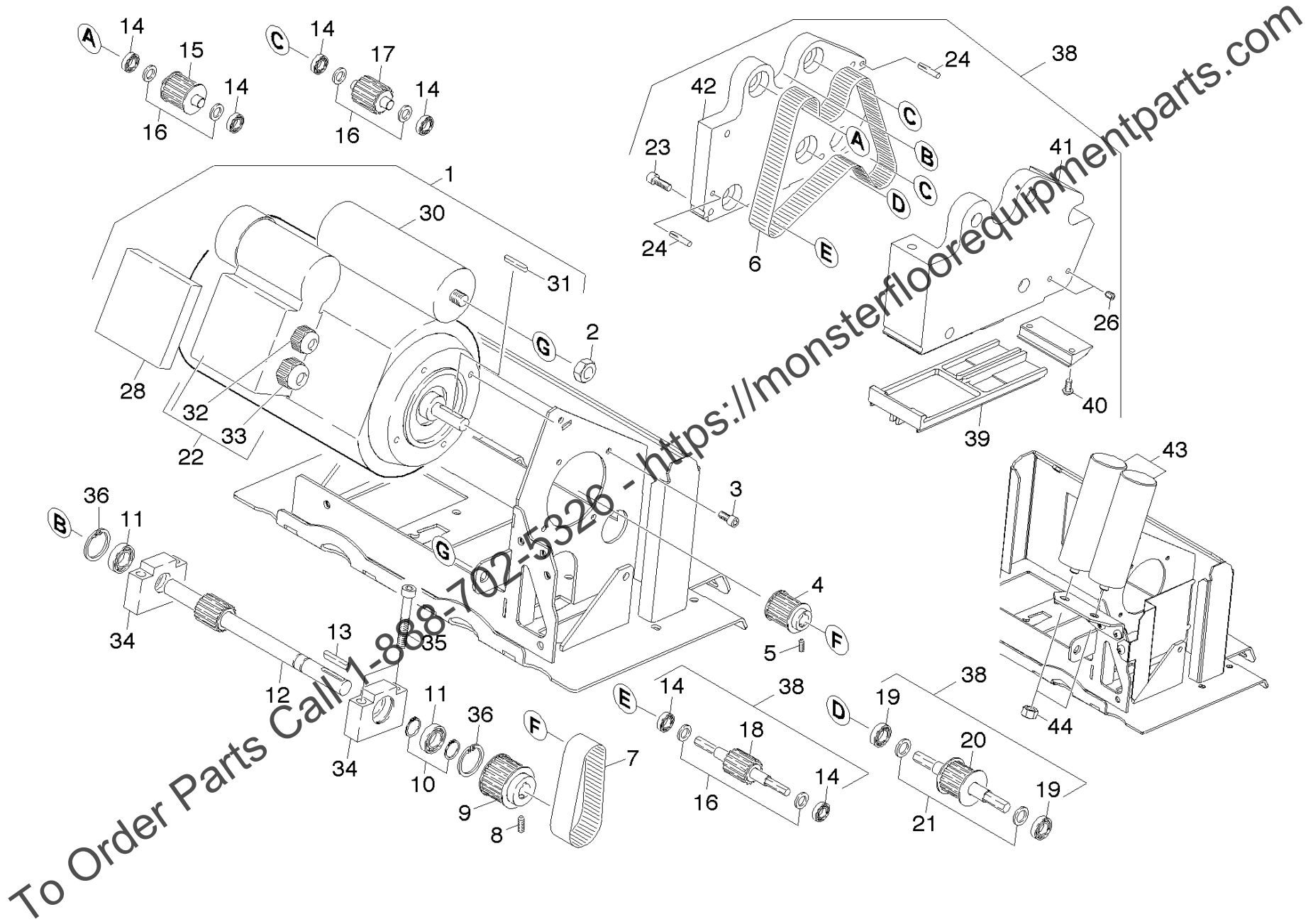
To Order Parts Call 1-888-702-5326 - <https://monsterflooringequipmentparts.com>



71 Power brush (0.141-118.0)

ET/VT (spare/wear parts)	Pos	Material #	Name	Qty.	Unit	from ser.nr.	up to ser.nr.	var. information	Footnote text
X-X	18	6.369-520.0	Guide comb black	1.000	ZSA	0000000000	0000000000	OTIS-(BLACK)	SET OF 2 PIECES
X-X	18	6.369-521.0	Guide comb green	1.000	ZSA	0000000000	0000000000	SCHINDLER	SET OF 2 PIECES
X-X	18	6.369-522.0	Guide comb white	1.000	ZSA	0000000000	0000000000	THYSSEN	SET OF 2 PIECES
X-X	19	5.762-268.0	Roller brush black (old colour black)	2.000	ST	0000000000	0000000000		
X	20	6.997-007.0	Covering cap brush	1.000	ST	0000000000	0000000000		
X-X	21	6.330-426.0	Gas spring 110 N	2.000	ST			F=110N	
X-X	21	6.330-426.0	Gas spring 110 N	2.000	ST			F=80N	

To Order Parts Call 1-888-702-5326 - <https://monsterfloorequipmentparts.com>



72 Transmission (0.141-121.0)

ET/VT (spare/wear parts)	Pos	Material #	Name	Qty.	Unit	from ser.nr	up to ser.nr.
	1	6.612-706.0	Electric motor BR 47/35 ESC	1.000	ST		
	2	7.311-071.0	Hexagon nut M12-A2-70 ISO 4032	1.000	ST	0000000000	0000000000
X-X	3	7.306-193.0	Screw M6x16 -A2-70 (In6Rd)	4.000	ST	0000000000	0000000000
	4	6.997-015.0	Belt pulley	1.000	ST	0000000000	0000000000
X-X	5	7.307-304.0	Threaded pin M4x6 -A2-21H ISO 4028	1.000	ST	0000000000	0000000000
X-X	6	6.348-360.0	Toothed belt	1.000	ST	0000000000	0000000000
X	7	6.348-363.0	Toothed belt	1.000	ST	0000000000	0000000000
X-X	8	7.307-409.0	Threaded pin M5x6 -A2-21H ISO 4026	1.000	ST	0000000000	0000000000
	9	6.997-016.0	Belt pulley	1.000	ST	0000000000	0000000000
X-X	10	7.343-015.0	Locking ring 15x1-FST-RF DIN 471	2.000	ST	0000000000	0000000000
X-X	11	7.401-115.0	Ball bearing 6002-2RS -WAE LZLAGST DIN 62	2.000	ST		
	12	5.100-502.0	Shaft	1.000	ST		
X-X	13	7.318-005.0	Parallel key 5x5x28-C45R DIN 6885	1.000	ST	0000000000	0000000000
X-X	14	7.401-091.0	Ball bearing 6000-2RS -WAE LZLAGST DIN 62	8.000	ST		
	15	6.997-018.0	Belt pulley	1.000	ST	0000000000	0000000000
X-X	16	6.997-019.0	Washer 10X16X2	8.000	ST	0000000000	0000000000
	17	6.997-021.0	Belt pulley	2.000	ST	0000000000	0000000000
	18	6.997-022.0	Driveshaft	1.000	ST	0000000000	0000000000
X-X	19	6.401-363.0	Ball bearing	2.000	ST		
	20	6.997-023.0	Driveshaft	1.000	ST	0000000000	0000000000
X-X	21	6.997-020.0	Washer 12X18X2	2.000	ST	0000000000	0000000000
	22	6.612-997.0	Distribution box	1.000	ST		
X-X	23	7.306-194.0	Screw M6x20 -A2-70 (In6Rd)	5.000	ST	0000000000	0000000000
	24	7.314-028.0	Grooved pin 5x24 -A1 ISO 8741	2.000	ST	0000000000	0000000000
X-X	26	7.307-032.0	Threaded pin M 6X 6-A1-50 ISO 4766	2.000	ST	0000000000	0000000000

To Order Parts Call 1-888-702-5326 <https://monsterfloorequipmentparts.com>

72 Transmission (0.141-121.0)

ET/VT (spare/wear parts)	Pos	Material #	Name	Qty.	Unit	from ser.nr	up to ser.nr.
X	28	6.682-656.0	Electronics engine start BR 4735 ESC	1.000	ST		
	30	6.997-013.0	Capacitor	1.000	ST		
	31	6.997-079.0	Parallel key	1.000	ST	0000000000	0000000000
X-X	32	6.641-357.0	Cable gland PG11	1.000	ST	0000000000	0000000000
	33	6.647-270.0	Cable gland	1.000	ST	0000000000	0000000000
	34	6.997-025.0	Bearing support	2.000	ST	0000000000	0000000000
X-X	35	7.306-222.0	Cylinder head screw M8x55 -A4-70 ISO 47	4.000	ST		
X-X	36	7.343-046.0	Locking ring 32x1,2 -Rf-St DIN 472	2.000	ST	0000000000	0000000000
	38	4.060-660.0	Transmission complete	1.000	ST		
X-X	39	5.032-932.0	Guide rail	1.000	ST		
	40	7.306-180.0	Screw M5x10-A2-70 (In6Rd)	2.000	ST	0000000000	0000000000
	41	5.064-209.0	Housing	1.000	ST		
	42	5.654-074.0	Cover	1.000	ST		
	43	7.777-999.0	Stockpiling discontinued	2.000	ST		
X	44	7.311-226.0	Hexagon nut M12-A4-70 ISO 4035	2.000	ST	0000000000	0000000000

To Order Parts Call 1-888-702-5326 - <https://monsterfloorequipmentparts.com>