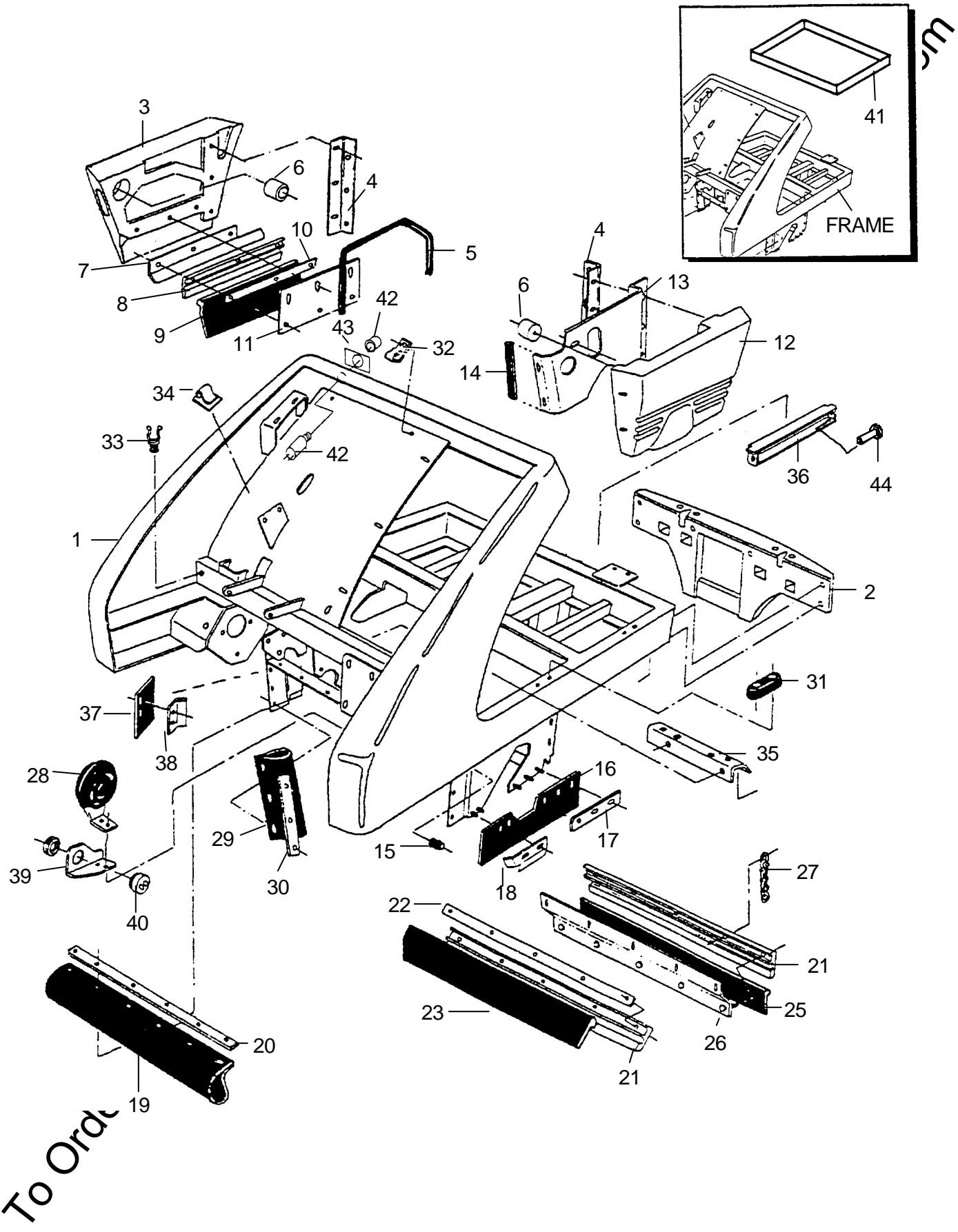


# FRAME GROUP



To Order

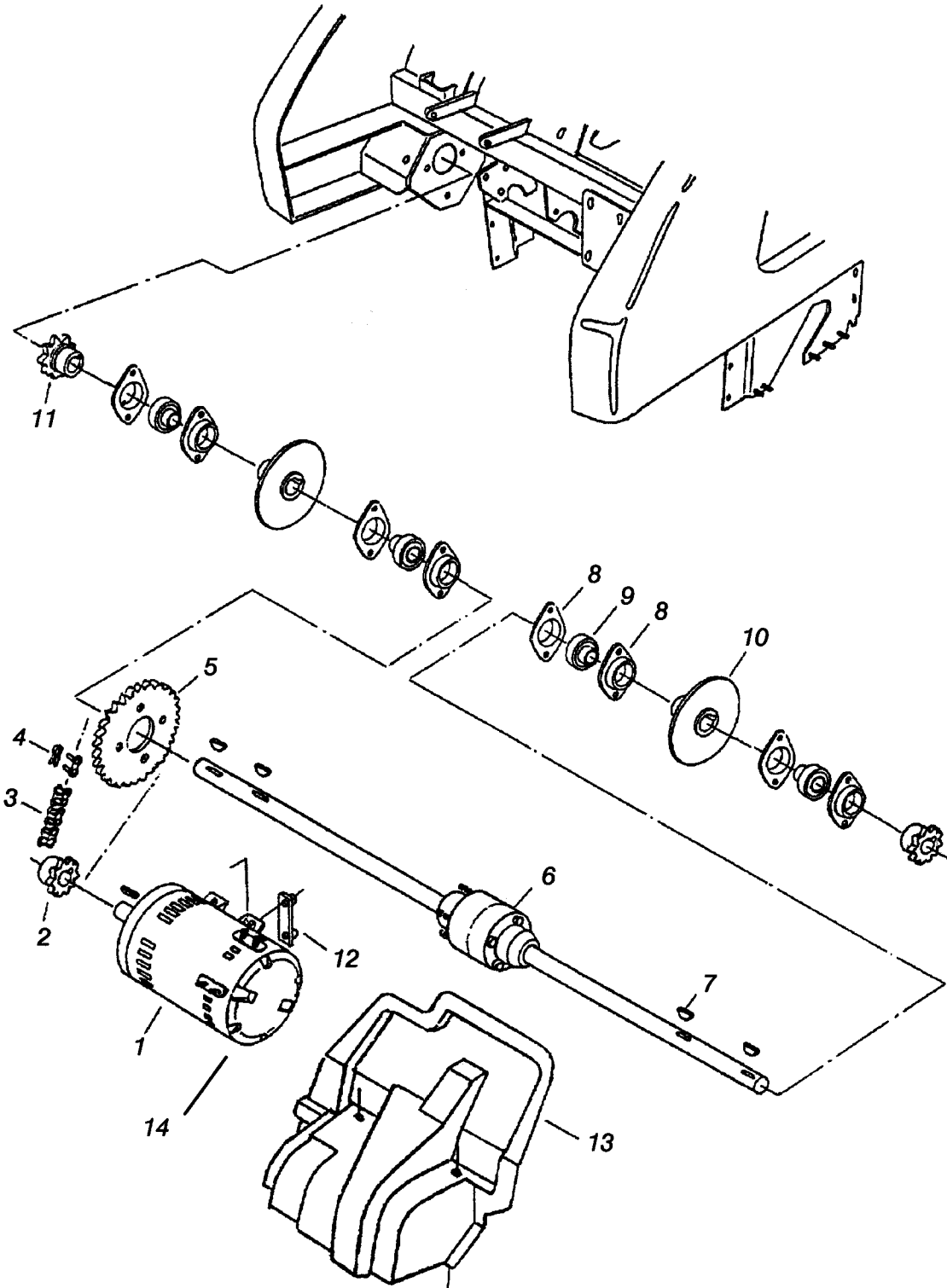
**FRAME GROUP**

REF	PART NO.	QTY	DESCRIPTION	SERIAL NO. FROM	NOTES:
1	80125	1	WELDMENT, FRAME		
2	80121	1	BUMPER, REAR		
3	80122	1	DOOR, BROOM RT MACHINED		
4	41258	2	HINGE, BROOM DOOR		
5	35142	1	SEAL, RT BROOM DOOR X 37"		
6	51214	2	LATCH, FEMALE 6.5LB PULL BLU		
7	80206	1	ANGLE, RT DOOR SKIRT SUPPORT		
8	80205	1	CHANNEL, RIGHT DOOR		
9	80202	1	SKIRT, RIGHT DOOR		
10	80215	1	STRAP, RIGHT DOOR SKIRT SPACER		
11	80213	1	PLATE, RIGHT DOOR SKIRT ADJ		
12	80123	1	DOOR, BROOM LEFT MACHINED		
13	81142	1	PLATE, DOOR SUPPORT		
14	80580	1	EDGING, M BROOM DOOR LT 8.63"		
15	51215	2	LATCH, MALE BLK (1/4" HD WR)		
16	80216	1	SKIRT, LEFT BROOM CHAMBER		
17	80217	1	RETAINER, LEFT SKIRT		
18	80218	1	RETAINER, SKIRT FORWARD		
19	80220	1	SEAL, HOPPER TOP		
20	80221	1	RETAINER, HOPPER TOP SEAL		
21	80204	2	CHANNEL, REAR FRAME		
22	80212	1	STRAP, RECIRC. SKIRT SPACER		
23	80201	1	SKIRT, RECIRCULATING		
24	OPEN	-	-		
25	80200	1	SKIRT, REAR		
26	80211	1	MOUNT, REAR SKIRT		
27	80582	1	CHAIN, #1/0 7 LINKS GROUNDING		
28	80583	1	HORN, 36VDC		
29	80219	2	SEAL, HOPPER SIDE		
30	80210	2	RETAINER, HOPPER SIDE SEAL		
31	80698	4	BUMPER, RUBBER 2 HOLE MOUNT		
32	80744	2	CLIP, WIRE SCREW DOWN		
33	80802	4	RETAINER WIRE TWIST TREE MOUNT		
34	80743	2	CLIP, WIRE SELF-ADHESIVE		
35	80738	1	ANGLE, CABLE RETAINER		
36	80373	2	CHANNEL, BATTERY RETAINER		
37	80784	1	SKIRT, CORNER		
38	80785	1	RETAINER, CORNER SKIRT		
39	80881	1	PLATE, BUZZER MOUNT		
40	80882	1	BUZZER, PIEZO 6-28VDC		
41	82028	1	TRAY, BATTERY 24.1 X 21.5 X 2.2		
42	81371	1	SWITCH, PUSH BUTTON		
43	81349	1	OVERLAY, HORN		
44	70533	4	SCR, 1/4-14 X 3/4 TEKS/3 HWHS PLTD		

To Order Parts Call 1-888-402-4326 - <https://monsterfloorequipmentparts.com>

# DIFFERENTIAL GROUP

parts.com



To Order

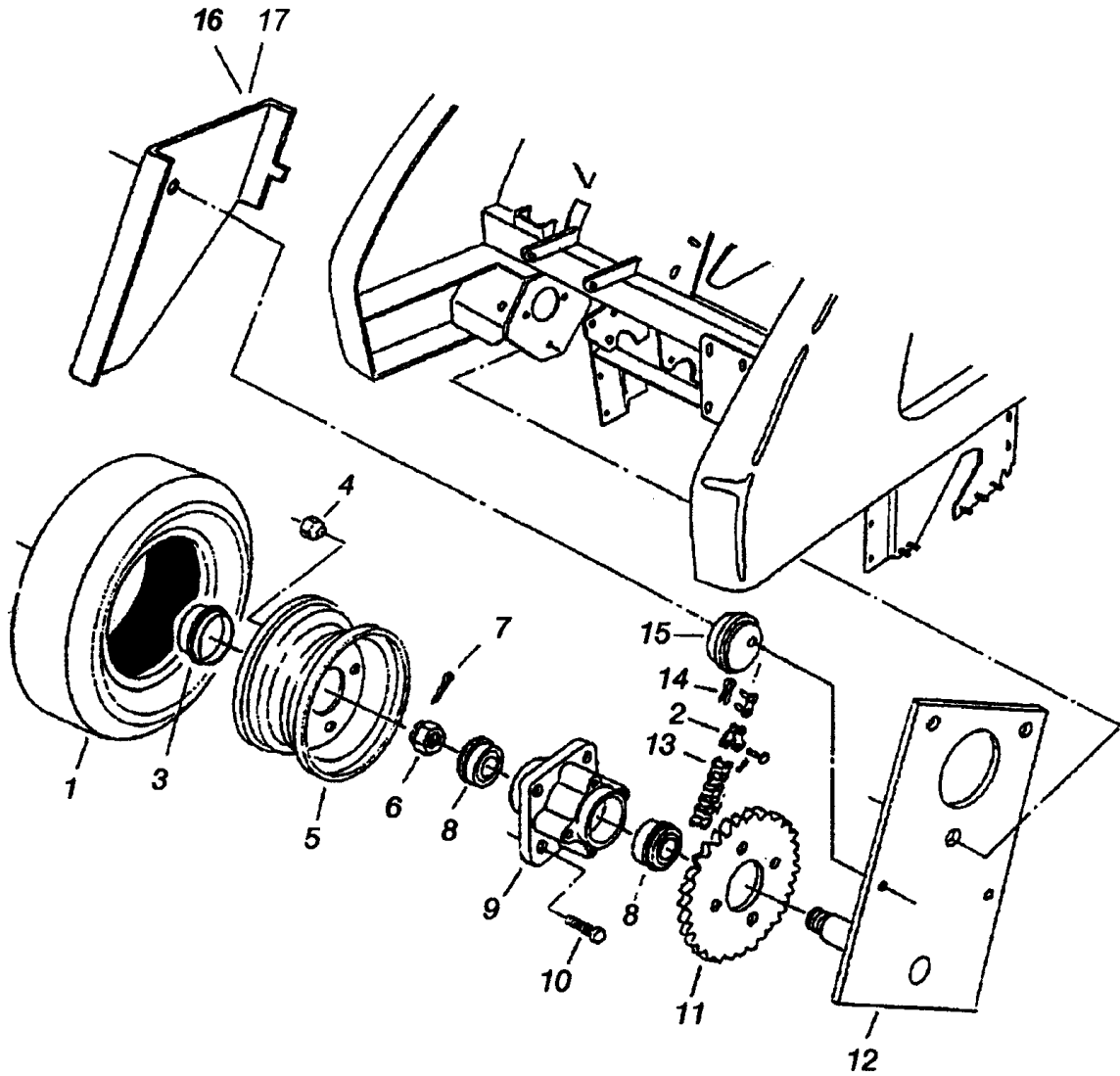
**DIFFERENTIAL GROUP**

REF	PART NO.	QTY	DESCRIPTION	SERIAL NO. FROM	NOTES:
1	53593	1	MOTOR, 36VDC 1HP 2500RPM GE		
2	80585	1	SPROCKET, #40 1/2"P 11T 7/8"B		
3	80587	1	CHAIN, #40 1/2"P X 56 LAMBDA		
4	27743	1	CHAIN, #40 1/2"P LAMBDA M.LINK		
5	80004	1	SPROCKET, #40 1/2"P 36T		
6	80006	1	DIFFERENTIAL, 34.38" LENGTH		
7	80590	4	KEY, WOODRUFF 3/16" X 3/4" #606		
8	80595	8	FLANGE, BEARING PRESS STEEL		
9	09070	4	BEARING, .75"ID X 1.85"D BALL		
10	80602	2	DISC, BRAKE		
11	80592	2	SPROCKET, #40 1/2"P 11T 3/4"B		
12	80578	2	BAR, MOTOR RETAINER		
13	80858	1	GUARD, MOTOR MACHINED		
14	82568	2	BRUSH SET, DRIVE MOTOR 53593		SERVICE ONLY

To Order Parts Call 1-888-702-5326 - <https://monsterfloorequipmentparts.com>

# FRONT WHEEL DRIVE GROUP

parts.com



To Order Parts Call 1-888-

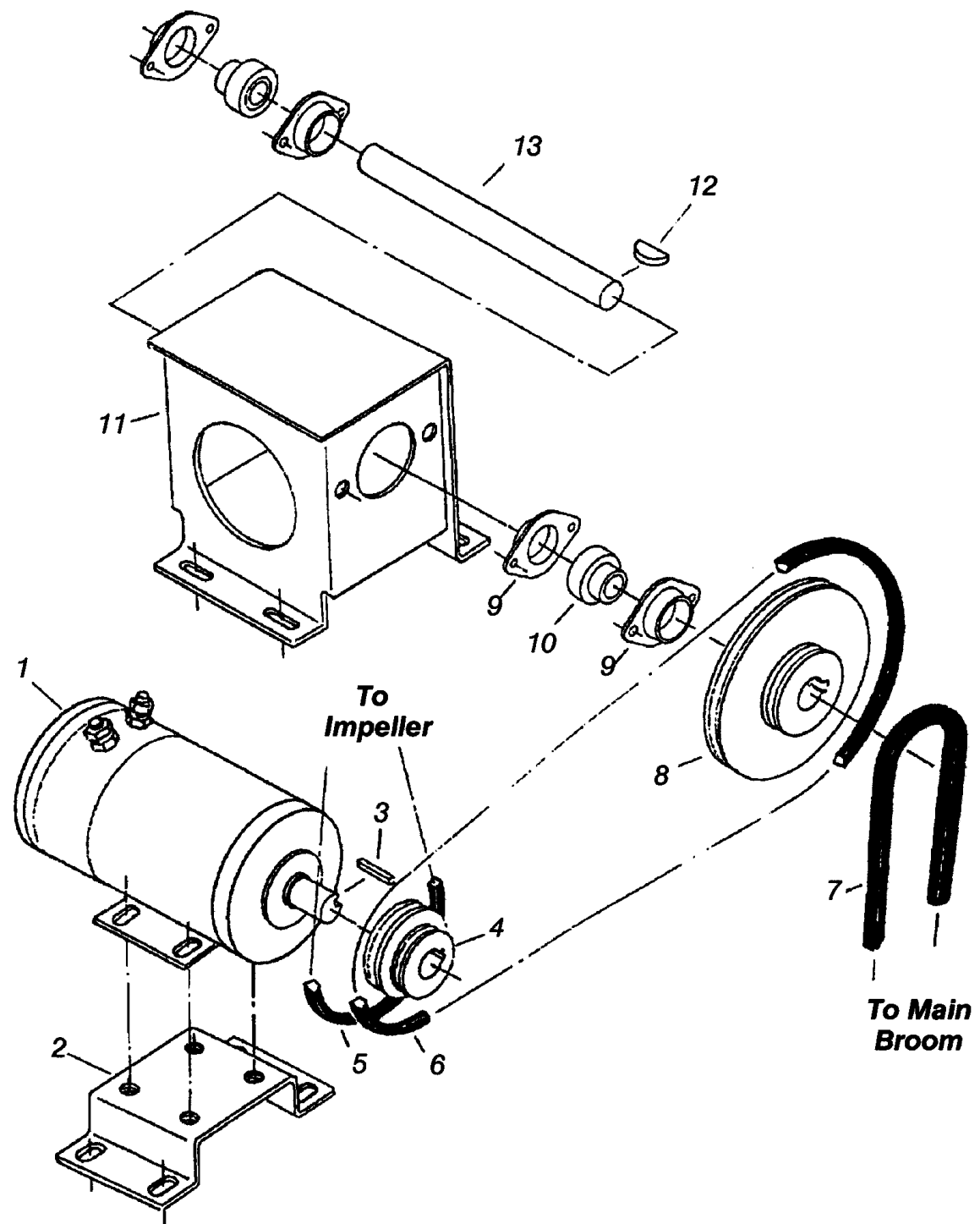
**FRONT WHEEL DRIVE GROUP**

REF	PART NO.	QTY	DESCRIPTION	SERIAL NO. FROM	NOTES:
1	80593	2	TIRE/RIM ASM, PNEUMATIC		
2	80589	2	LINK-HALF, #40 SINGLE PITCH		
3	80596	2	HUB CAP, GREASE CAP ZINC PLTD		
4	80597	8	NUT, LUG WHEEL 12MM-1.25 PITCH		
5	82422	2	TIRE/RIM ASM, FOAM FILLED		SERVICE ONLY
6	80598	2	NUT, 3/4-16 SLOTTED GR2 PLTD		
7	66243	2	PIN, COTTER 1/8"D X 1.5"L PLTD		
8	09071	4	BEARING, .9843"ID X 2.0472"OD		
9	80002	2	HUB, DRIVE WHEEL		
10	80599	8	STUD, WHEEL		
11	80005	2	SPROCKET, #40 1/2" P 44T		
12	80192	2	WELDMENT, AXLE PLATE		
13	80600	2	CHAIN, #40 1/2" PITCH X 76 LAMBDA		
14	27743	2	CHAIN, #40 1/2"P LAMBDA M.LINK		
15	80194	4	TENSIONER, DRIVE CHAIN		
16	81216	1	GUARD, CHAIN RIGHT		
17	81217	1	GUARD, CHAIN LEFT		

To Order Parts Call 1-888-702-5326 - <https://monsterfloorequipmentparts.com>

# AUXILIARY DRIVE GROUP

www.com



To Order Part

## AUXILIARY DRIVE GROUP

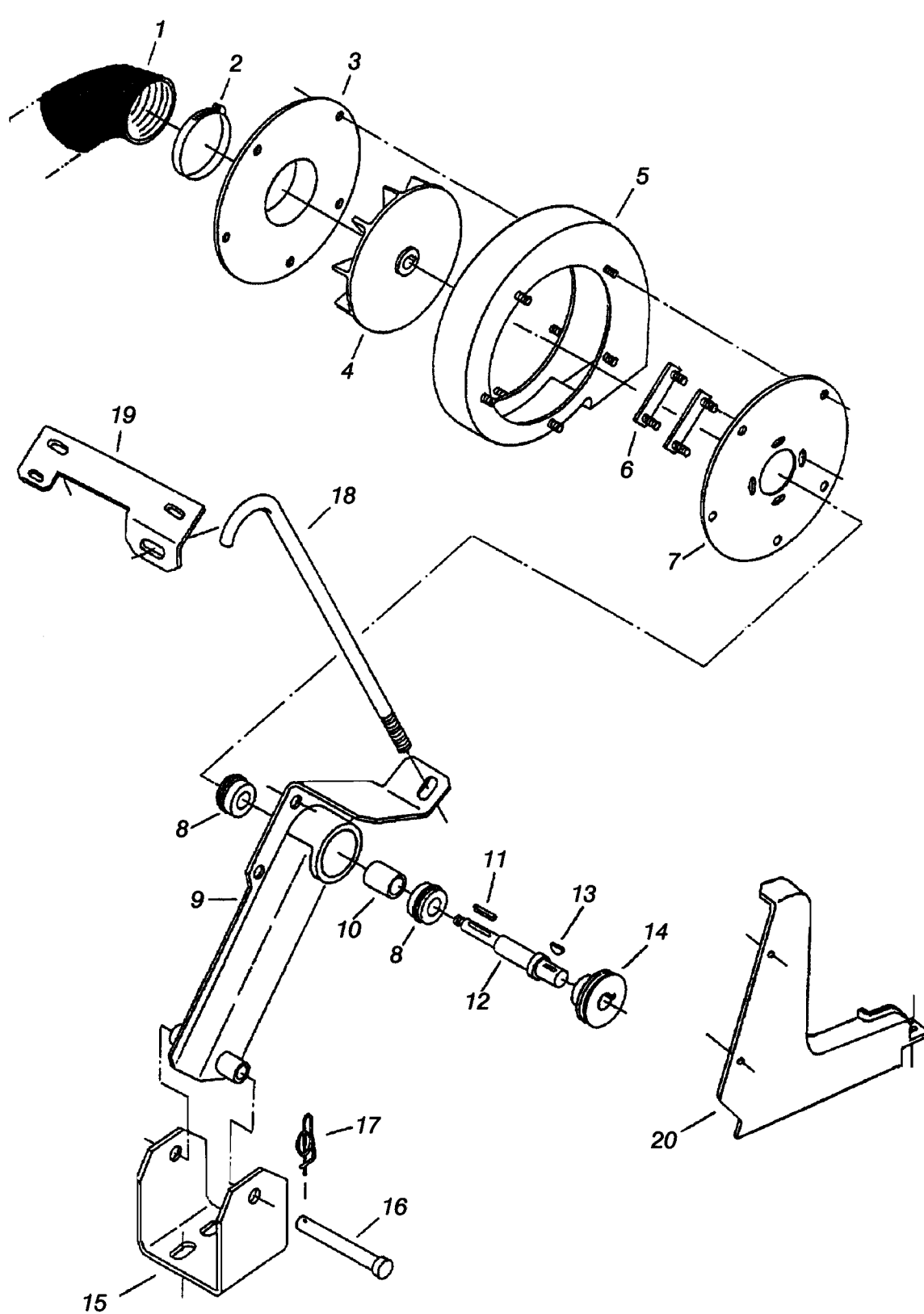
REF	PART NO.	QTY	DESCRIPTION	SERIAL NO. FROM	NOTES:
1	53591	1	MOTOR, 36VDC 1HP 2500RPM AUX		
2	80327	1	CHANNEL, MOTOR		
3	48049	1	KEY, 3/16 X 3/16 X 1.5"L TJ1000		
4	64076	1	PULLEY, MAIN BROOM DRIVE MOTOR		
5	11033	1	BELT, 3V X 355 COG TYPE X 35.5"		
6	11035	1	BELT, 3V X 335 COG TYPE X 33.5"		
7	11034	1	BELT, 3V X 600 COG TYPE X 60"		
8	64075	1	PULLEY, JACKSHAFT QTFSB		
9	80595	4	FLANGE, BEARING PRESS STEEL		
10	09070	2	BEARING, .75"ID X 1.85"D BALL		
11	80324	1	WELDMENT, JACKSHAFT MOUNT		
12	80590	1	KEY, WOODRUFF 3/16" X 3/4" #606		
13	80328	1	SHAFT, JACKSHAFT		
14	14649	1	BRUSH SET, DRIVE MOTOR		NOT SHOWN

To Order Parts Call 1-888-702-5326 - <https://monsterfloorequipmentparts.com>



# IMPELLER GROUP

parts.com



TO

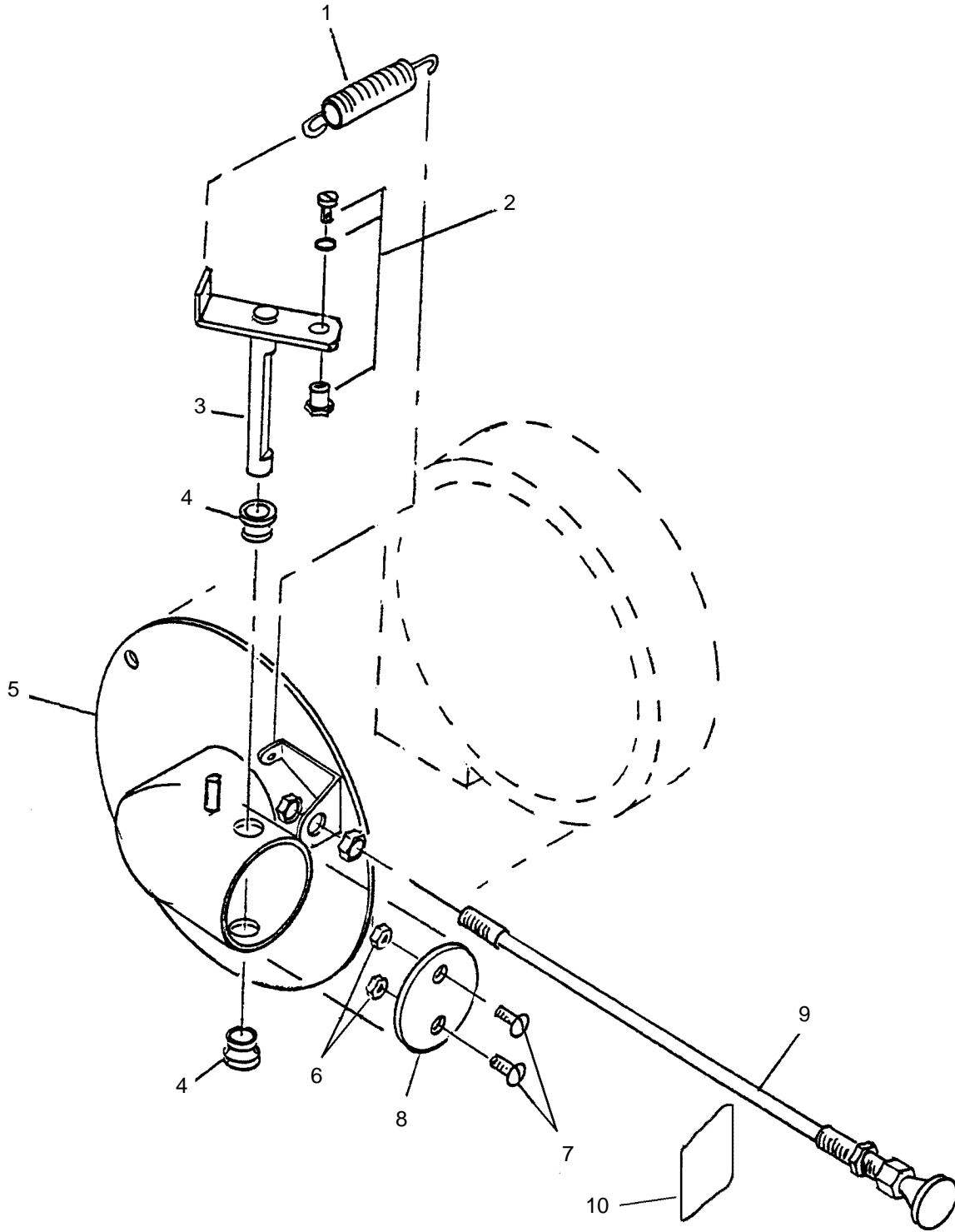
**IMPELLER GROUP**

REF	PART NO.	QTY	DESCRIPTION	SERIAL NO. FROM	NOTES:
1	39628	1	HOSE, VAC 3.5 OD X 17"		
2	80651	1	CLAMP, HOSE WORM DRIVE 2.7-3.7"		
3	830944	REF	HOUSING ASM, W/S BYPASS		WAS 80395
4	80752	1	IMPELLER, MACHINED		
5	80678	1	HOUSING, IMPELLER		
6	80398	2	BAR, IMPELLER RETAINER		
7	80392	1	PLATE, IMPELLER BACK		
8	09081	2	BEARING, BALL .66 BORE 2 SEALS		
9	80386	1	WELDMENT, IMPELLER ARM		
10	80397	1	TUBE, IMPELLER BEARING SPACER		
11	48050	1	KEY, 1/8 X 1/8 X 3/4		
12	80396	1	SHAFT, IMPELLER		
13	80701	1	KEY, WOODRUFF 1/8" X 1/2" #404		
14	64078	1	PULLEY, IMPELLER DRIVE		
15	80391	1	CHANNEL, IMPELLER MOUNT		
16	80675	1	PIN, CLEVIS 1/2" X 3.5"L PLTD		
17	80607	1	COTTER, 1/2" RING		
18	80400	1	ROD, IMPELLER ADJUST		
19	80399	1	PLATE, IMPELLER ADJUST		
20	80860	1	GUARD, BELT MACHINED		

To Order Parts Call 1-888-702-5326 - <https://monsterfloorequipmentparts.com>

# IMPELLER GROUP (WET SWEEP BYPASS)

parts.com



To Order P...

**IMPELLER GROUP (WET SWEEP BYPASS)**

REF	PART NO.	QTY	DESCRIPTION	SERIAL NO. FROM	NOTES:
1	830942	1	SPRING, EXT .44 OD X 2.25		
2	73886	1	SWIVEL, SOLUTION CABLE		
3	830945	1	SHAFT ASM, W/S BYPASS		
4	09082	2	BEARING, 3/8"		
5	830944	1	HOUSING ASM, W/S BYPASS		
6	57026	2	NUT, 8-32 HEX NYLOCK SS		
7	70174	2	SCR, 8-32 X 5/8 PPHMS SS		
8	830868	1	PLATE, W/S BYPASS		
9	830941	1	CABLE, W/S BYPASS		
10	500768	1	LABEL, W/S BYPASS		

To Order Parts Call 1-888-702-5326 - <https://monsterfloorequipmentparts.com>



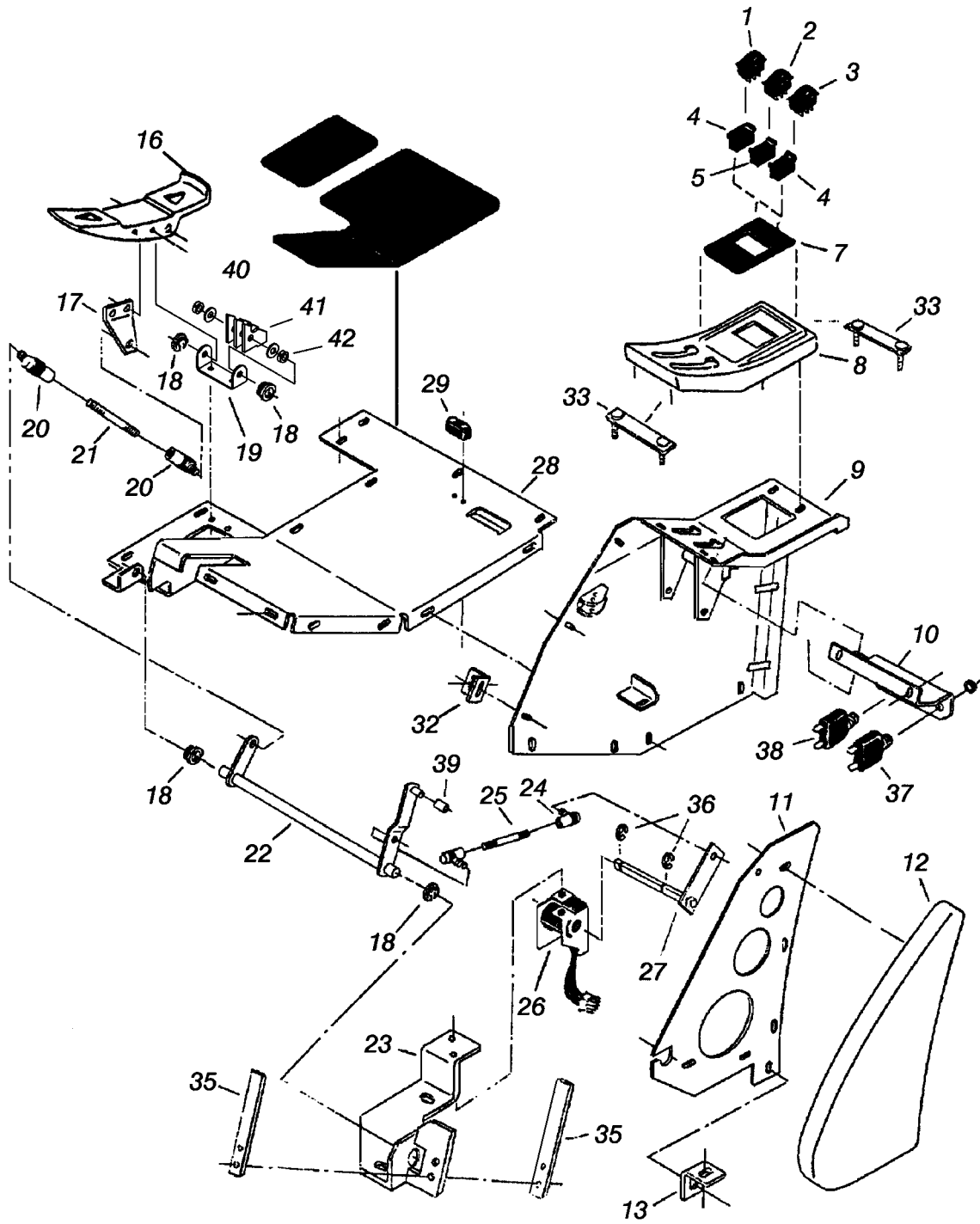
## REAR CLIP GROUP

REF	PART NO.	QTY	DESCRIPTION	SERIAL NO. FROM	NOTES:
1	270008	1	REAR CLIP, RIDER MACHINED		WAS 80240, L. GRY
2	80700	1	LABEL, OVERLAY		
3	80699	4	CLIP, CHRISTMAS TREE 3/4 DIA		
4	80280R	1	LENS, TAILLIGHT LEFT		
5	80279R	1	LENS, TAILLIGHT RIGHT		
6A	730109	1	SEAT, SUPER SUBURBAN GRY CLOTH		WAS 80681
6B	82999	REF	SEAT, SUPER SUBURBAN BLK VINYL		
7	80565	1	WELDMENT, SEAT MOUNT		
8	80547	1	COVER, GLOVE BOX MACHINED		
9	41261	1	HINGE, REAR CLIP		
10	41259	2	HINGE, REAR CLIP		
11	80367	1	CABLE, .13 X 40.2 0719 GS NO E-E		
12	80739	1	MOUNT, CABLE CLIP		
13	80434	1	PLATE, CLIP RETAINER		
14	80679	2	SOCKET, TAIL LT DOUBLE CONTACT		
15	80680	2	BULB, TAILLIGHT 36 VDC		
16	80323	2	PLATE, TAILLIGHT		
17	80809	2	BUMPER, RUBBER 5/16"ID X 1.50		
18	80832	1	BAR, SAFETY SWITCH MOUNT		
19	80690	1	GROMMET, INSULATION 1/2"		
20	80833	1	SWITCH, MERCURY TILT .5A 120V		
21	80837	1	LATCH, BALL		
22	80835	3	SPACER, .32 ID X .71 OD X .79 L NYL		
23	80836	2	FASTENER, PANEL		
24	80802	1	RETAINER, WIRE TWIST TREE MOUNT		

To Order Parts Call 1-888-702-5326 - <http://monsterfloorequipmentparts.com>

# CONSOLE GROUP

arts.com



To Order P...

**CONSOLE GROUP**

REF	PART NO.	QTY	DESCRIPTION	SERIAL NO. FROM	NOTES:
1	72129	1	SWITCH, SPDT 3-POSITION ROCKER		
2	72128	1	SWITCH, DPDT 2-POSITION ROCKER		
3	72127	1	SWITCH, SPST 2-POSITION ROCKER		
4	80693	2	BEZEL, SWITCH MOUNTING END		
5	80694	1	BEZEL, SWITCH MOUNTING CENTER		
6	80776	1	SWITCH, SPDT ROLLER DRIP-PROOF		
7	80529	1	DECAL, PANEL SWEEPER		
8	80271	1	PANEL, SWITCH MACHINED		
9	80241	1	WELDMENT, SIDE PANEL		
10	80736	1	PLATE, CIRCUIT BREAKER MOUNT		
11	81469	1	PLATE, PANEL BACK		
12	61409	1	PANEL, CLIP FILLER		WAS 80256, LT GRY
13	80258	1	ANGLE, MOUNTING TAB LOWER		
14	70494	1	SCR, 3/8-16 X 4.5" HHCS GR5		
15	57119	1	NUT, 3/8-16 HEX NYLOCK		
16	80259	1	PEDAL, FWD/REV		
17	80542	1	PLATE, FWD/REV ARM		
18	09082	4	BEARING, 3/8" FLANGED NYL		
19	80260	1	CHANNEL, PEDAL MOUNT		
20	80697	2	BALL JOINT ASM, 3/8-24 RH		
21	80543	1	ROD, FOOT PEDAL ARM		
22	80262	1	WELDMENT, FWD/REV ROD SWEEPER		
23	80753	1	WELDMENT, THROTTLE MOUNT		
24	80696	2	BALL JOINT ASM, 1/4"		
25	80757	1	ROD, THROTTLE		
26	80695	1	THROTTLE, ELECTRONIC CONTROL		
27	80545	1	WELDMENT, SWPR THROTTLE ARM		
28	80245	1	WELDMENT, FLOOR ASM		
29	80698	1	BUMPER, RUBBER 2 HOLE MOUNT		
30	80765	1	PAD, FLOOR		
31	80766	1	PAD, STEP		
32	80248	3	ANGLE, MOUNTING		
33	80769	2	BAR, PANEL RETAINER		
34	OPEN	-	-		
35	80770	2	SPRING, FLAT 3/4"W X 7.75"L		
36	80826	2	RING RET EXTERNAL 7/32" E-RING		
37	80847	1	BREAKER, CIRCUIT 15 AMP		
38	80848	5	BREAKER, CIRCUIT 10 AMP		
39	80775	1	TUBING, ISOLATOR 3/8 ID X 1.0 PVC		

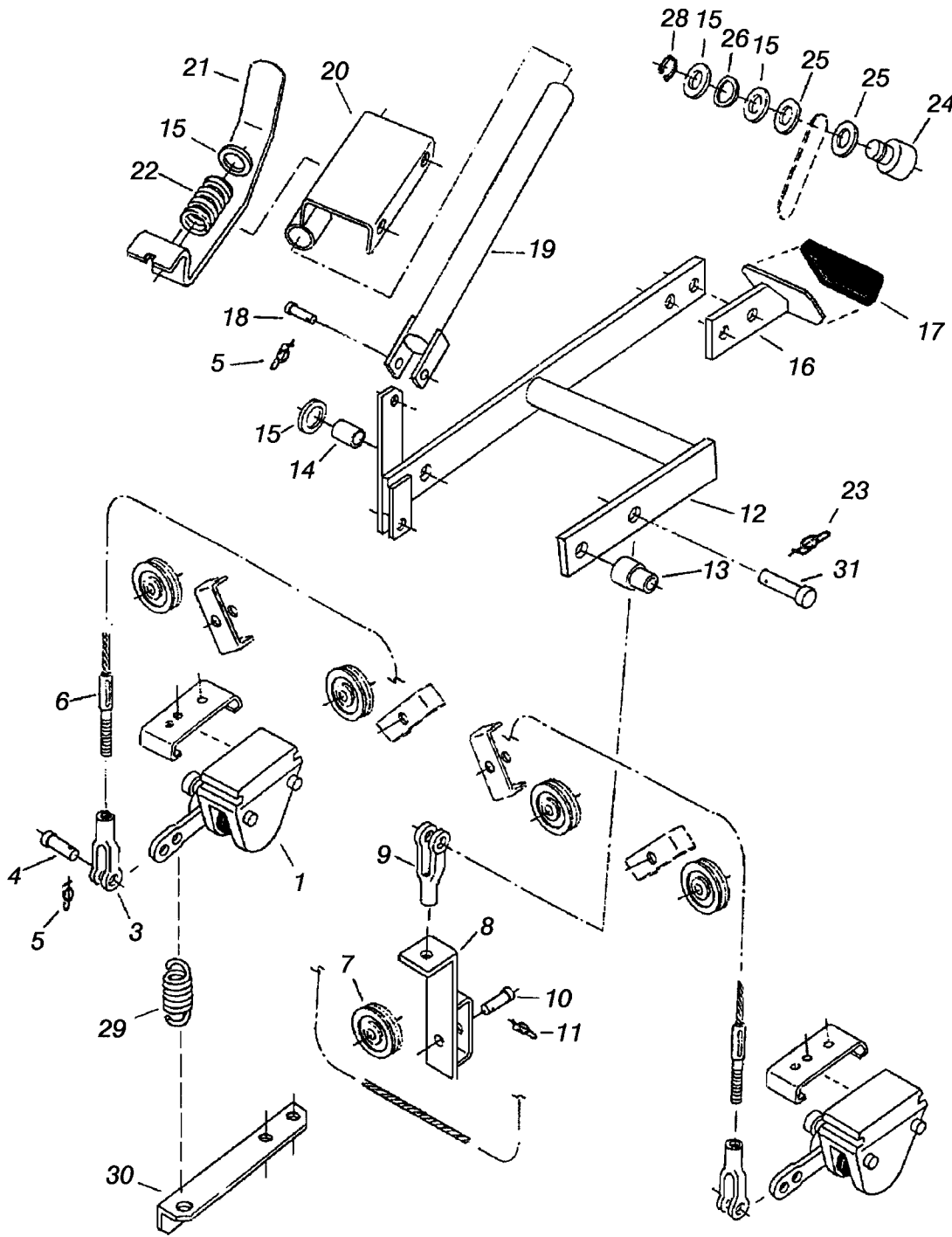
To Order Parts Call 1-888-702-5326

<https://monsterfloorequipmentparts.com>



# BRAKE GROUP

entparts.com



To Order F

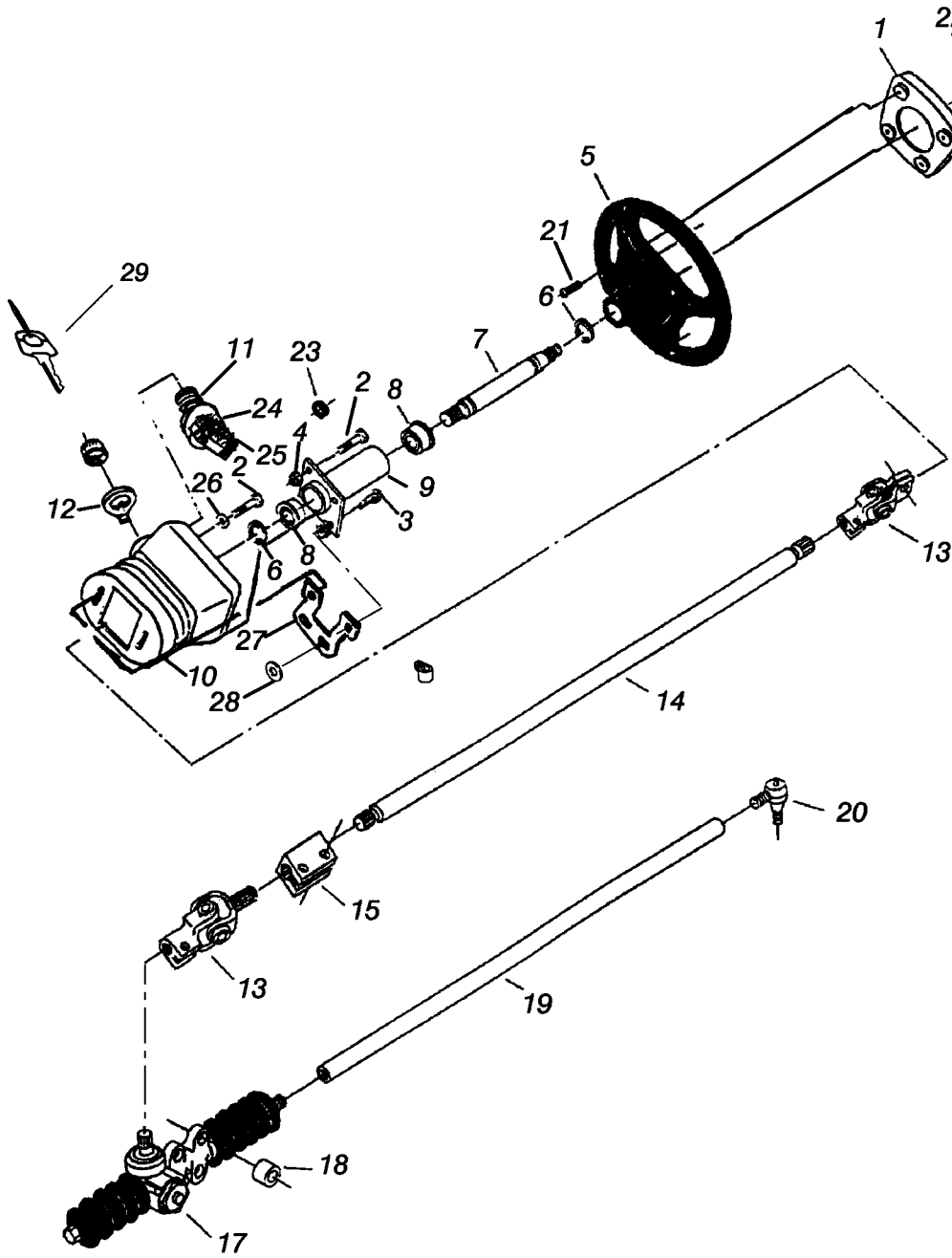
**BRAKE GROUP**

REF	PART NO.	QTY	DESCRIPTION	SERIAL NO. FROM	NOTES:
1	80601	2	CALIPER, BRAKE 3 O'CLOCK CCW		
2	OPEN	-	-		
3	80603	2	CLEVIS, 1/4" YOKE END 1/4-28		
4	80771	2	PIN, CLEVIS 1/4 X 7/8		
5	80604	3	COTTER, 1/4" RING		
6	80237	1	CABLE, .13 X 38.6 0719 GS NO M-M		
7	80608	5	PULLEY, PLASTIC 1.95 DIA		
8	80236	1	WELDMENT, BRAKE PULLEY MOUNT		
9	80610	1	CLEVIS, 3/8" YOKE END 3/8-24		
10	80609	1	PIN, CLEVIS 5/16" X 1.12" PLTD		
11	80605	1	COTTER, 5/16" RING		
12	80228	1	WELDMENT, BRAKE ARM		
13	80234	1	SPACER, BRAKE		
14	80102	1	SPACER, .500 OD X .391 ID X .400		
15	80616	4	WASHER, .519 ID X .88 OD X .06 PLTD		
16	80425	1	WELDMENT, BRAKE PEDAL		
17	80611	1	PAD, BRAKE PEDAL		
18	80612	4	PIN, CLEVIS 1/4" X 1.0" PLTD		
19	80614	1	WELDMENT, PARKING BRAKE ROD		
20	80227	1	WELDMENT, PARKING BRAKE LOCK		
21	80223	1	BAR, PARKING BRAKE LOCK		
22	80635	1	SPRING, COMP .72D X .88L X .180W		
23	80606	1	COTTER, 3/8" RING		
24	80225	1	BUTTON, PARKING BRAKE		
25	80613	2	WASHER, .506 ID X .94D X .064 NYL		
26	87140	1	WASHER, WAVE 1/2 ID X 3/4D X .125		
27	OPEN	-	-		
28	67132	1	RING, 1/2 EXT SNAP H-D		
29	80804	2	SPRING, EXT .75D X 2.50L X .093W		
30	80594	2	ANGLE, SPRING MOUNT		
31	80806	1	PIN, CLEVIS 5/8" X 1.125"L PLTD		

To Order Parts Call 1-888-702-5516 <http://monsterfloorequipmentparts.com>

# STEERING GROUP

entparts.com



To Order Parts Call

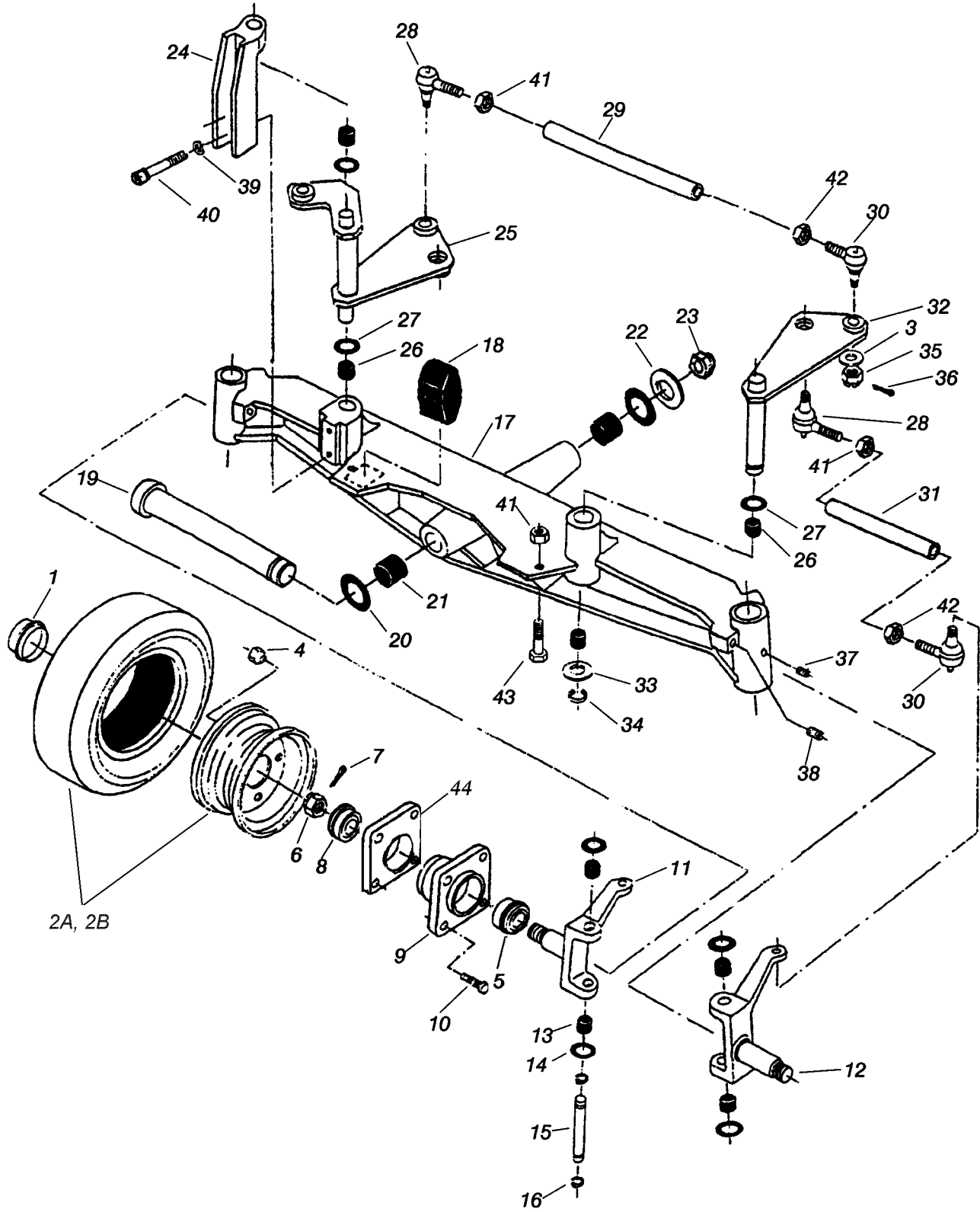
## STEERING GROUP

REF	PART NO.	QTY	DESCRIPTION	SERIAL NO. FROM	NOTES:
1	27748	1	COVER, STEERING WHEEL (MCHND)		
2	70270	4	SCREW, 1/4-20 X 3/4 HHCS PLTD		
3	70505	2	SCREW, 1/4-20 X 1 HHCS GR5 PLTD DL		
4	57047	4	NUT, 1/4-20 HEX NYLOCK		
5	80617R	1	WHEEL, STEERING		
6	80623	2	RING, 3/4" EXT SNAP H-D		
7	80252	1	SHAFT, UPPER STEERING		
8	09072	2	BEARING, 3/4" BORE FLANGED		
9	80249	1	WELDMENT, STEERING TUBE ASM		
10	80272	1	COVER, STEERING COLMN. (MCHND)		
11	02125	1	SWITCH, MAIN ROTARY KEY		
12	80747	1	RETAINER, IGNITION SWITCH		
13	80619	2	UNIVERSAL JOINT ASM		
14	80253	1	SHAFT, LOWER STEERING		
15	80254	1	COUPLING, STEERING		
16	OPEN	-	-		
17	80618	1	STEERING BOX ASM		
18	80329	3	SPACER, RACK		
19	80124	1	ROD, STEERING LINK		
20	80625	1	TIEROD END, LH 1/2-20 UNF-2A		
21	70353	4	SCREW, 10-32 X 3/4 SHCS SS		
22	57228	1	NUT, 5/8-18 HEX NYLOCK THIN		
23	80690	1	GROMMET, INSULATION 1/2"		
24	72088	1	SWITCH, CONTACT BLOCK SLIP		
25	72089	2	SWITCH, CONTACT MODULE N.O.		
26	87013	2	WASHER, 1/4 ID X 5/8 O.D. SS		
27	81474	1	PLATE, SLIDER		
28	81429	2	NUT, PLASTIC LOCK 1/4-20		
29	82488	1	KEY, 36V ROTARY IGNITION SWITCH		

To Order Parts Call 1-888-702-5326 <http://monsterfloorequipmentparts.com>

# REAR SUSPENSION GROUP

s.com



To Orc

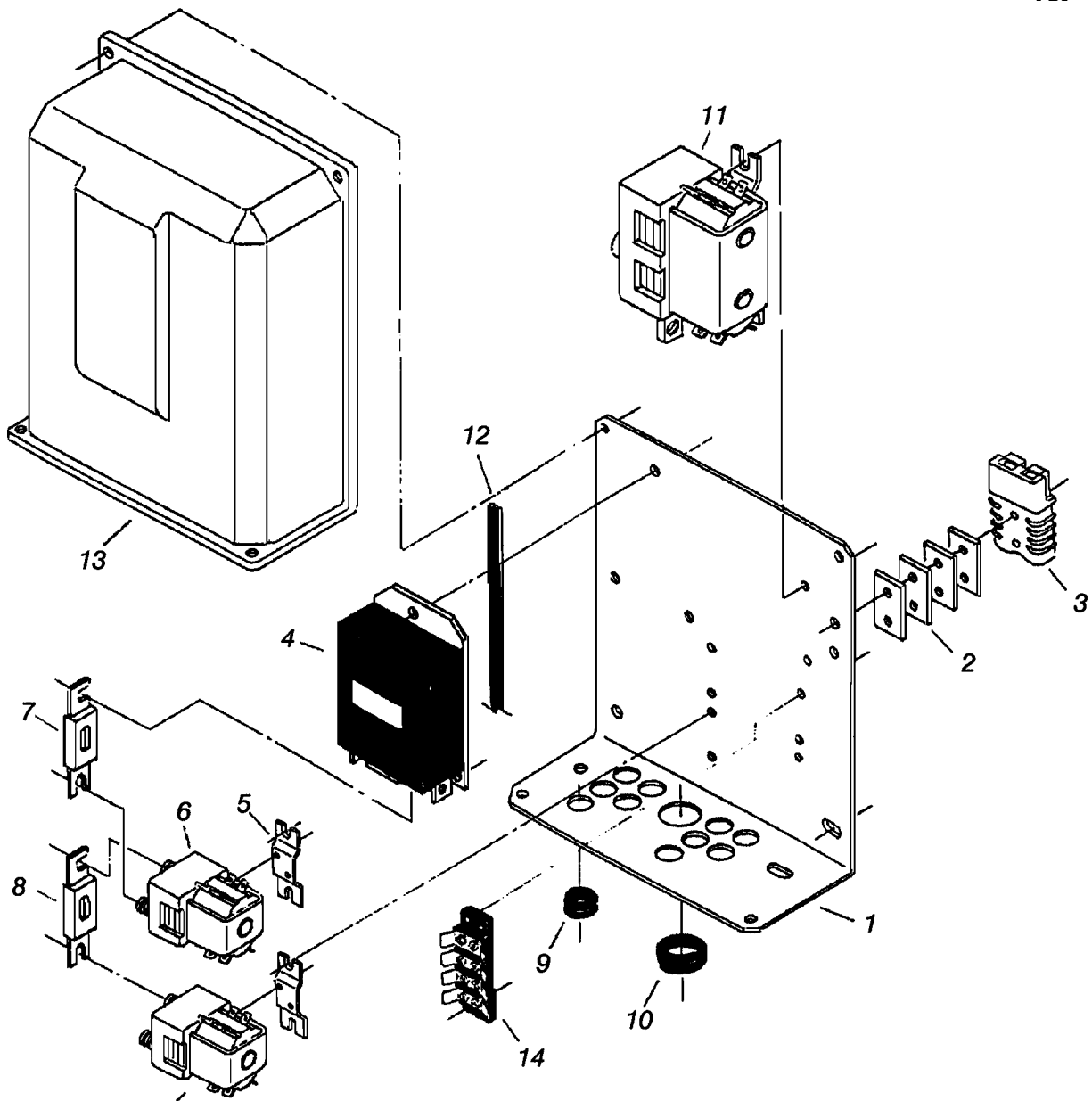
## REAR SUSPENSION GROUP

REF	PART NO.	QTY	DESCRIPTION	SERIAL NO. FROM	NOTES:
1	80596	2	HUBCAP, GREASE CAP ZINC PLTD		
2A	80593	2	TIRE/RIM ASM, PNEUMATIC		
2B	82422	2	TIRE/RIM ASM, FOAM FILLED		SERVICE ONLY
3	87174	6	WASHER, .391ID X .625 OD X .06T PLTD		
4	80597	8	NUT, LUG WHEEL 12MM-1.25 PITCH		
5	09147	2	BEARING, BALL 30MM X 55MM W/ SR	*	
6	80598	2	NUT, 3/4-16 SLOTTED GR2 PLTD		
7	66243	2	PIN, COTTER 1/8" X 1.5" L PLTD		
8	09071	2	BEARING, .9843"ID X 2.0472"OD	*	QTY WAS 4
9	80028	2	HUB, STEERING WHEEL PAINTED		
10	80599	8	STUD, WHEEL		
11	80021	1	AXLE, STEERING RIGHT HAND		
12	80022	1	AXLE, STEERING LEFT HAND		
13	09074	4	BEARING, FIBER 3/4"ID X 3/4"L		
14	80627	4	WASHER, .75ID X 1.5OD FIBERGLIDE		
15	80025	2	PIN, FORK		
16	80623	4	RING, 3/4" EXT SNAP H-D		
17	80007	1	BEAM, STEERING		
18	80622	2	BLOCK, STABILIZER		
19	81291	1	PIN, BEAM PIVOT THREADED		
20	80628	2	WASHER, THRUST 1"ID X 2"OD		
21	09073	2	BEARING, FIBER 1"ID X 1.5"L		
22	80634	1	WASHER, 1.015ID X 1.5"D X .056T		
23	80664	1	NUT, 3/4-16 HEX NYLOCK		
24	80019	1	SUPPORT, PITMAN ARM		
25	80016	1	WELDMENT, PITMAN ARM ASM		
26	09075	4	BEARING, FIBER 5/8"ID X 3/4"L		
27	80629	3	WASHER, THRUST 5/8ID X 1.25"OD		
28	80624	3	TIE ROD END, RH 1/2-20 UNF-2A		
29	80026	1	ROD, CONNECTING LINK		
30	80625	3	TIE ROD END, LH 1/2-20 UNF-2A		
31	80027	2	ROD, TIE		
32	80012	1	WELDMENT, PITMAN IDLER		
33	80633	1	WASHER, .634ID X 1.407D X .09T		
34	67104	1	RING, 5/8 EXT SNAP H-D PLTD		
35	80640	6	NUT, SLOTTED 3/8-24 PLTD		
36	66244	6	PIN, COTTER 3/32" X 3/4" L PLTD		
37	70126	2	SET SCR, 1/4-28 X 1/4 KCP NP		
38	70524	4	SET SCR, 3/8-16 X 1.0 SH KCPDL		
39	87083	1	WASHER, 5/16 SPLIT LOCK PLTD		
40	70495	1	SCR, 5/16-24 X 1 SHCS PLTD		
41	57221	5	NUT, 1/2-20 HEX JAM PLTD		
42	57222	3	NUT, 1/2-20 HEX LH JAM PLTD		
43	70524	2	SCR, 1/2-20 X 1.25 HHCS GR5 PLTD		
44	62288	2	PLATE, WHEEL HUB SHIM		

To Order Parts Call 1-800-752-5376 - <http://monsterfloorequipmentparts.com>

**ELECTRICAL GROUP**

3.com



To Order Parts

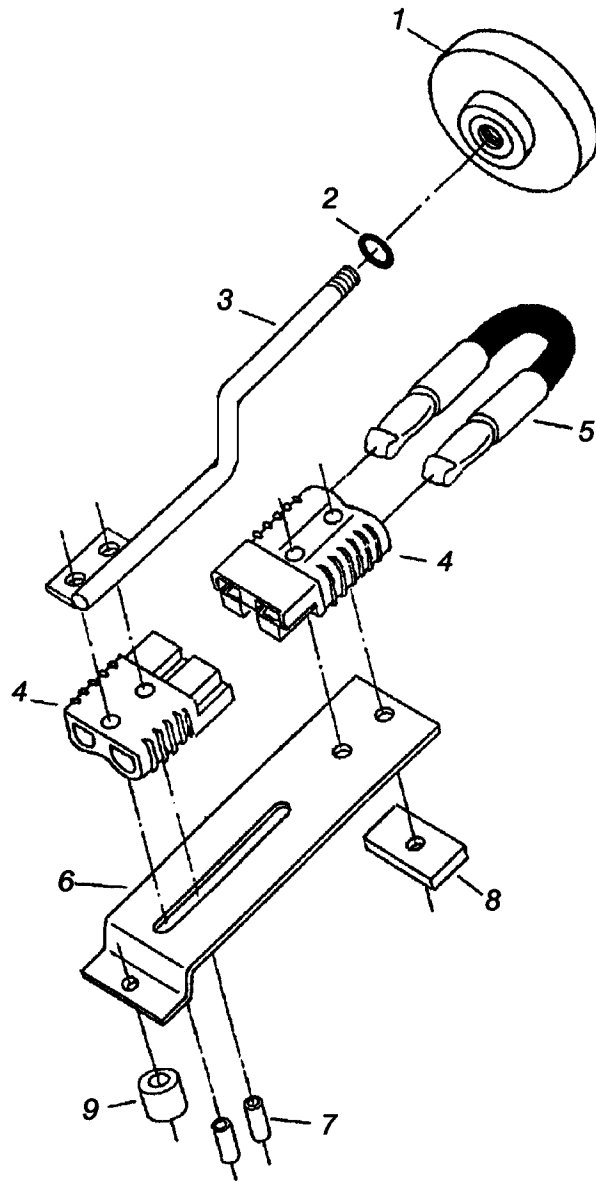
**ELECTRICAL GROUP**

REF	PART NO.	QTY	DESCRIPTION	SERIAL NO. FROM	NOTES:
1	80404	1	PLATE, ELECTRONICS		
2	80574	4	BAR, SPACER		
3	80682	1	CONNECTOR, BATTERY GRY 175AMP		
4	80685	1	CONTROLLER, MOTOR SPEED		
5	80692	2	MOUNT, CONTACTOR		
6	80686	2	RELAY, CONTACTOR		
7	80687	1	FUSE, 125 AMP		
8	80688	1	FUSE, 80 AMP		
9	80690	10	GROMMET, INSULATION 1/2"		
10	81427	1	GROMMET, 1.703 ID X 2.5 OD X .125 GRV		
11	80691	1	RELAY, CONTACTOR FWD/REV		
12	35147	1	GASKET, FOAM 1/8" X 3/8" X 62"L		
13	80405	1	COVER, ELECTRONICS		
14	80834	1	TERM, STRIP 8-POSITION 1/4"		

To Order Parts Call 1-888-702-5326 - <https://monsterfloorequipmentparts.com>



# SAFETY SWITCH GROUP



sterfloorequipmentparts.com

To Order Parts Call :

**SAFETY SWITCH GROUP**

REF	PART NO.	QTY	DESCRIPTION	SERIAL NO. FROM	NOTES:
1	80684	1	KNOB, STOP RED 3/8-16 F-INSERT		
2	80683	1	WASHER, NEOPRENE 3/8"ID X 1 X .1		
3	80577	1	WELDMENT, SAFETY SWITCH SWPR		
4	80682	2	CONNECTOR, BATTERY GRY 175AMP		
5	80774	1	WIRE, 8.91" RED 4GA 76125 (2X)		
6	80356	1	PLATE, SAFETY SWITCH		
7	80360	2	TUBE, SAFETY SWITCH SPACER		
8	80357	1	BAR, SAFETY SWITCH		
9	80659	1	TUBE, SAFETY SWITCH MOUNT		

To Order Parts Call 1-888-702-5326 - <https://monsterfloorequipmentparts.com>



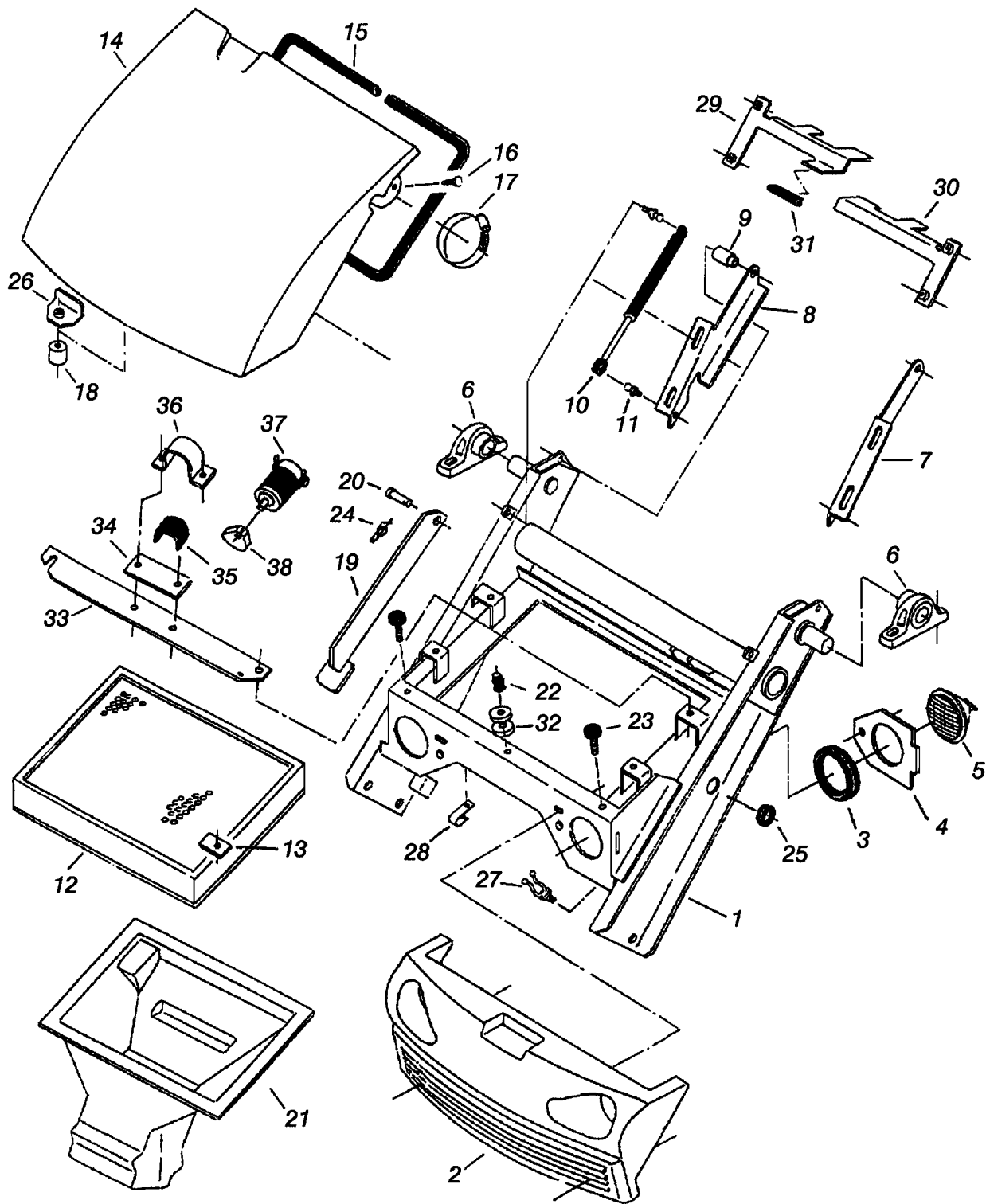
**SIDE BROOM GROUP**

REF	PART NO.	QTY	DESCRIPTION	SERIAL NO. FROM	NOTES:
1	53594	1	MOTOR, GEAR REDUCTION 36 VDC		
2	80800	1	WELDMENT, SIDE BROOM HUB		
3	80730	1	PLATE, SIDE BROOM MOTOR MOUNT		
4	80789	1	SPRING, COMP .97 D X 1.0 L X .115 W		
5	80735	1	CABLE, .16 X 11.9 0719 GS NO E-E		
6	80719	1	WELDMENT, SIDE BROOM ARM		
7	80723	1	WELDMENT, SIDE BROOM MOUNT		
8	80729	1	BAR, S-BROOM ADJUSTMENT LINK		
9	80726	1	WELDMENT, S-BROOM ADJUSTMENT		
10	80733	1	CABLE, .13 X 57.5 GS NO E-M		
11	80714	1	WELDMENT, S-BROOM LIFT PIVOT		
12	80815	2	BEARING, FLANGED 3/8" ID 1 1/16"		
13	80717	1	WELDMENT, S-BROOM LIFT LEVER		
14	80673	1	KNOB, 1/2-13 F-INSERT		
15	80817	1	PIN, CLEVIS 1/2"D X 2.0"L PLTD		
16	80818	1	PIN, CLEVIS 1/2"D X 3.75"L PLTD		
17	80608	3	PULLEY, PLASTIC 1.95 DIA		
18	80609	5	PIN, CLEVIS 5/16" X 1.12" PLTD		
19	80605	5	COTTER, 5/16" RING		
20	80607	2	COTTER, 1/2" RING		
21	80669	1	PIN, CLEVIS 5/16" X 3/4"L PLTD		
22	80831	1	PIN, CLEVIS 5/16" X 1.75"L PLTD		
23	70010	1	SCR, 1/4-20 X 1.5 HHCS SS		
24	57047	1	NUT, 1/4-20 HEX NYLOCK		
25	80780	1	SWITCH, SPDT LEVER DIRT-PROOF		
26	80824	2	TERM, STR TAB 1/4" MALE X #6		
27	80799	1	SPACER, SB CABLE		
28	80801	1	TUBE, SB HUB ADAPTER		
29	66055	1	PIN, ROLL 1/4" X 1.0 L SS		
30	140339	REF	BRUSH KIT, 53594		SERVICE ONLY
31	73940	REF	SEAL, OUTLET 53594		SERVICE ONLY

<http://monsterfloorequipmentparts.com>  
 To Order Parts Call 1-888-702-5326

# FILTER GROUP

3.COM



To Or

**FILTER GROUP**

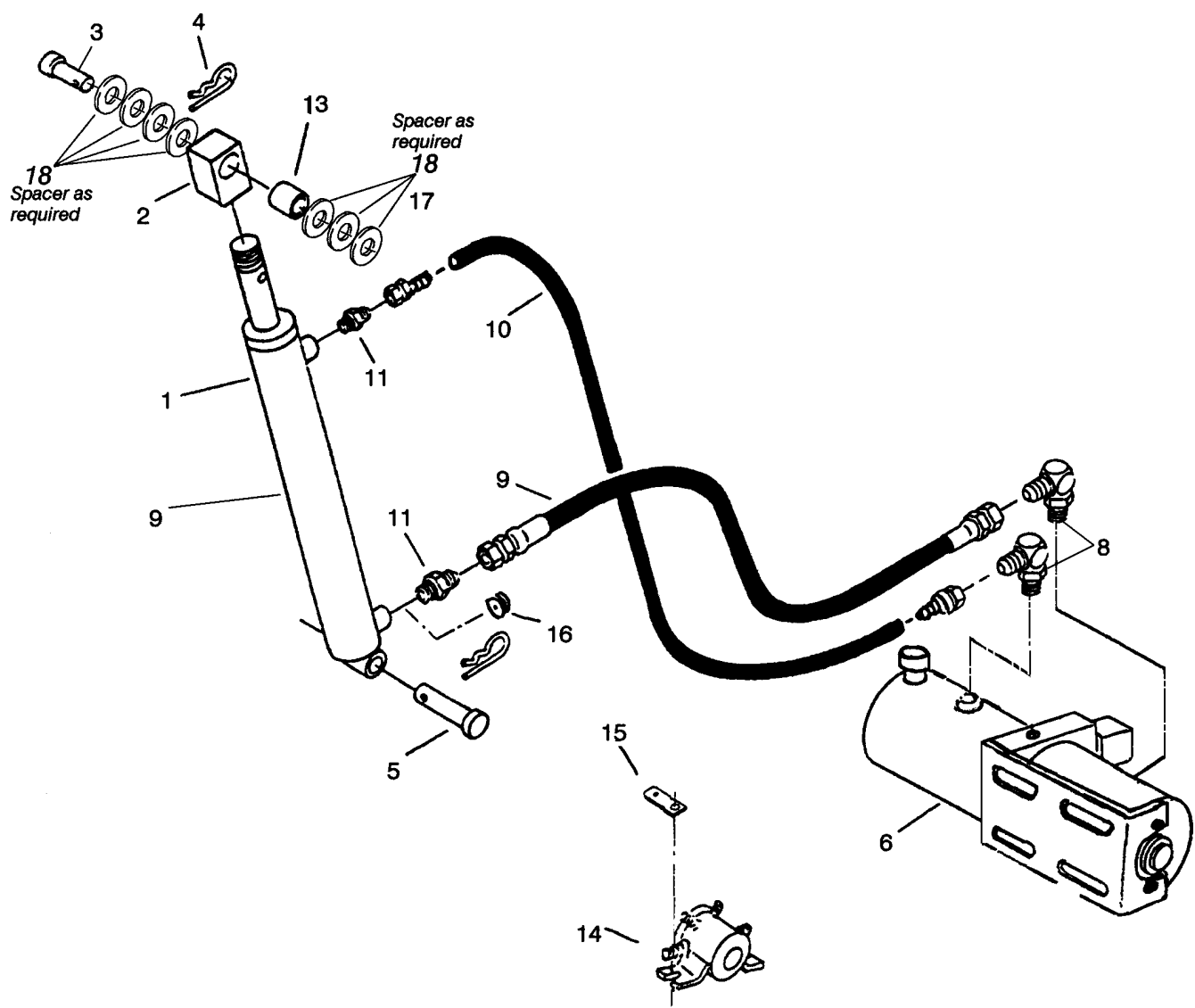
REF	PART NO.	QTY	DESCRIPTION	SERIAL NO. FROM	NOTES:
1	80055	1	WELDMENT, HOPPER LIFT ARMS		
2	80269	1	BUMPER, FRONT MACHINED		
3	80645	2	BEZEL, HEADLIGHT RUBBER		
4	80381	2	PLATE, HEADLIGHT MOUNT		
5	80646	2	BULB, 36V 60W SEALED BEAM		
6	80647	2	BEARING, PILLOW BLOCK		
7	80073	2	ARM, FILTER COVER LEFT		
8	80072	1	ARM, FILTER COVER RIGHT		
9	80074	1	SPACER, FILTER COVER		
10	80648	2	SPRING, GAS 150 NEWTONS		
11	80649	2	STUD, BALL GAS SPRING		
12	80650	4	FILTER, DUST PANEL		
13	80830	1	BAR, FILTER RETAINER		
14	270007	1	COVER, SWEEPER FILTER		WAS 80071, LT GRY
15	35144	1	SEAL, HOPPER COVER BULB 78.25"		
16	80805	1	CLIP, TREE .19 HOLE FLAT HEAD		
17	80651	1	CLAMP, HOSE WORM DRIVE 2.7-3.7"		
18	51214	1	LATCH, FEMALE 6.5LB PULL BLU		
19	80568	1	WELDMENT, SAFETY ARM		
20	80823	1	PIN, CLEVIS 5/8"D X 1.25"L PLTD		
21	80791	1	CHUTE, FILTER MACHINED		
22	51215	1	LATCH, MALE BLK 1/4" HD WR		
23	80654	2	BUMPER, ADJUSTMENT		
24	80818	1	PIN, CLEVIS 1/2"D X 3.75"L PLTD		
25	80807	1	GROMMET, 3/4 ID X 1.38 OD RUBBER		
26	80783	1	ANGLE, LATCH RETAINER		
27	80802	1	RETAINER, WIRE TWIST TREE MOUNT		
28	80744	3	CLIP, WIRE SCREW DOWN		
29	80781	1	PLATE, SUPPORT RIGHT		
30	80782	1	PLATE, SUPPORT LEFT		
31	80795	1	EDGING, 1/8" X 4.0" LONG		
32	80819	1	WASHER, 3/4 ID X 1.175 D X 1/8 NYL		
33	80797	1	BAR, SHAKER MOUNT		
34	80827	1	BAR, SHAKER SPACER		
35	80828	1	PAD, RETAINER		
36	80796	1	PLATE, SHAKER RETAINER		
37	53595	1	MOTOR, 1/13HP PM 36VDC		
38	80829	1	WEIGHT, SHAKER MACHINED ASM		

To Order Parts Call 1-888-752-3326

<https://monsterfloorequipmentparts.com>

# HYDRAULIC GROUP

com



To Order Parts Call 1-8

## HYDRAULIC GROUP

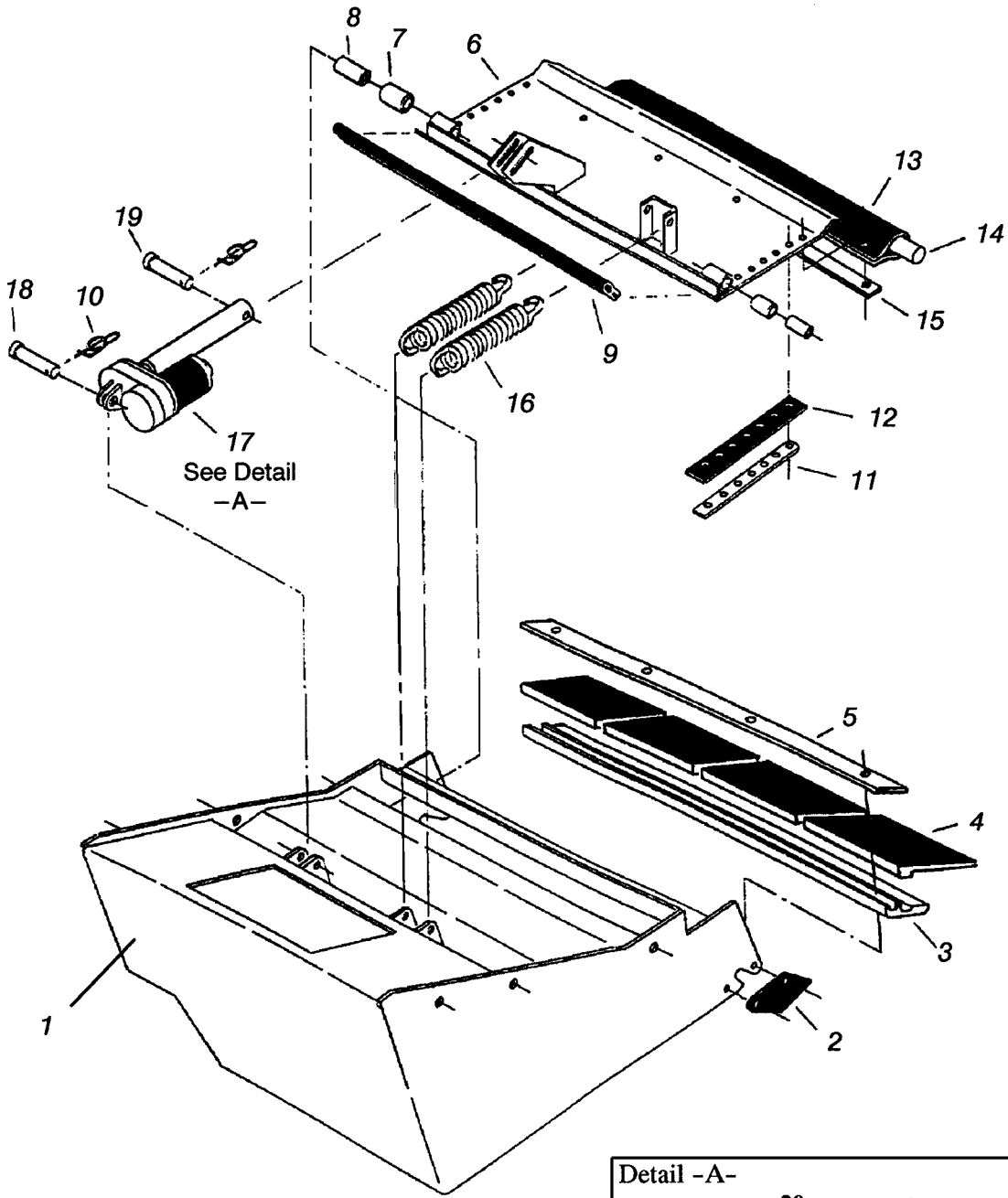
REF	PART NO.	QTY	DESCRIPTION	SERIAL NO. FROM	NOTES:
1	80563	1	CYLINDER, HYDRAULIC 2.00" X 15"		
2	80265	1	BAR, CYLINDER ADJUSTMENT		
3	81275	1	PIN, CLEVIS 3/4" X 2-3/4" PLTD		
4	80657	2	PIN, COTTER HAIR .148" DIA X 3/4		
5	80656	1	PIN, CLEVIS 3/4" X 3.31 PLTD		
6	80745	1	PUMP, HYDRAULIC PWR 36VDC		
7	OPEN	-	-		
8	80840	2	FITTING, 90° EL 9/16-18 TO #4		
9	80839	1	HOSE, HYD 1/4 X 4 X 4 X 37.50		
10	80844	1	HOSE, HYD 1/4" PUSHLOK X 45.00"		
11	80662	2	FITTING, HYD STR 1/2 O-RING TO #4		
12	OPEN	-	-		
13	09077	1	BEARING, FIBER 3/4"ID X 1.25"L		
14	80822	1	SOLENOID, 36V SPST UL LISTED		
15	80843	2	TERM, STR TAB 1/4" MALE X #10		
16	80846	1	RESTRICTOR, HYD .052" ORIFICE		
17	80842	2	FITTING, HYD HOSE #4 FEM PUSH LOCK		
18	87173	7	WASHER, .765 ID X 1.31 OD X .09 T SS		
19	82508	REF	SEAL KIT, HYDRAULIC CYLINDER		SERVICE ONLY

To Order Parts Call 1-888-702-5326 - <https://monsterfloorequipmentparts.com>

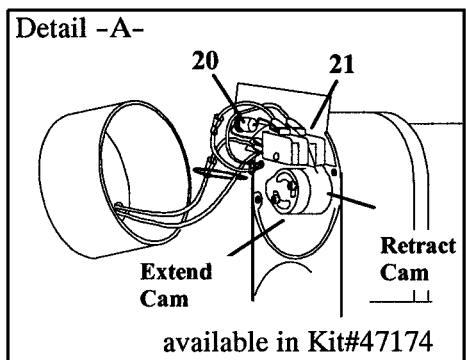


# HOPPER GROUP

arts.com



See Detail  
-A-



To Q<sub>2</sub>

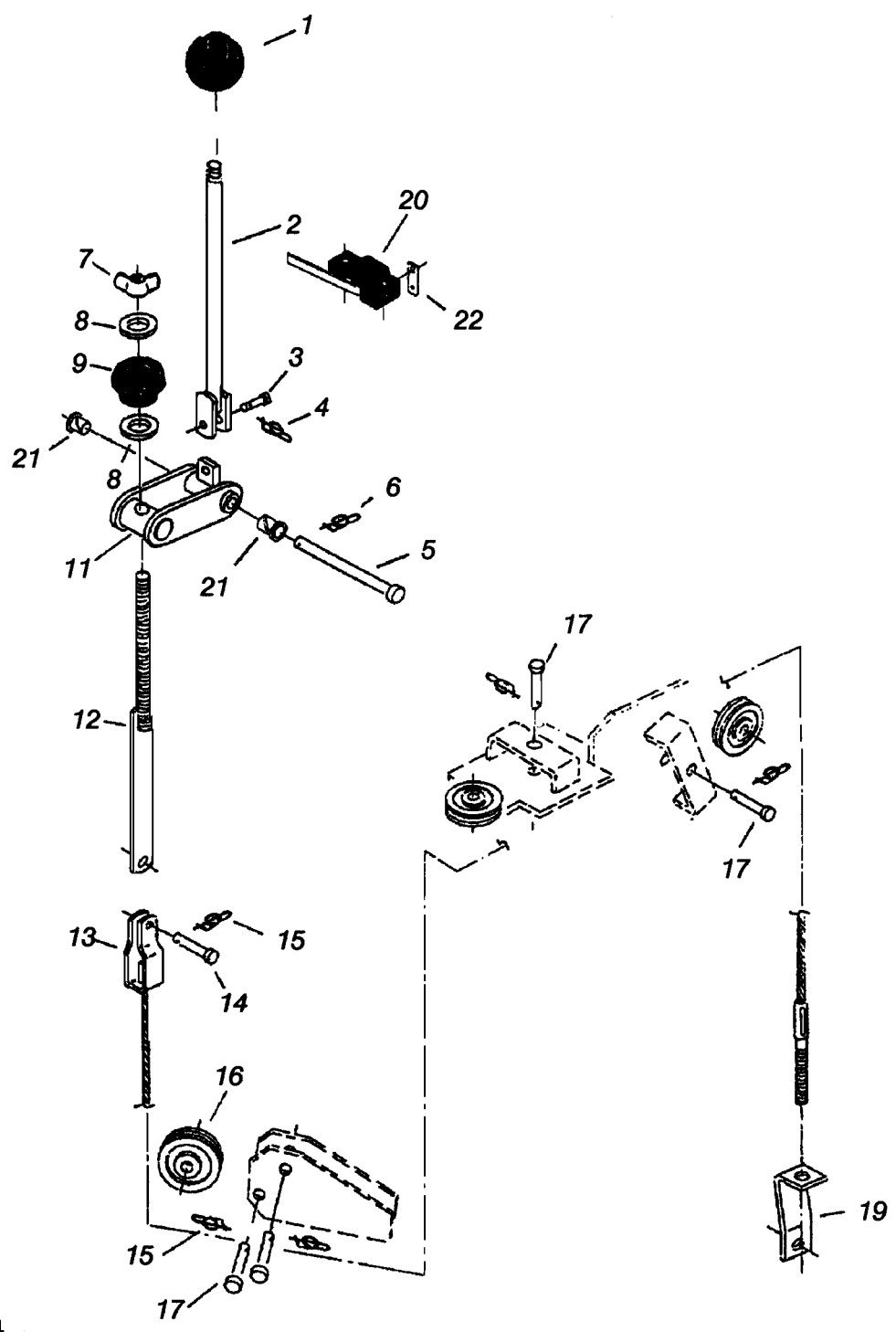
**HOPPER GROUP**

REF	PART NO.	QTY	DESCRIPTION	SERIAL NO. FROM	NOTES:
1	80045	1	WELDMENT, HOPPER ASM		
2	80790	1	PLATE, FLAP RETAINER		
3	80052	1	CHANNEL, HOPPER FLAP		
4	80199	4	FLAP, FRONT HOPPER		
5	80053	1	RETAINER, HOPPER FLAP		
6	80030	1	WELDMENT, HOPPER DOOR		
7	09076	2	BEARING, FIBER 5/8 ID X 1"L		
8	80043	2	SLEEVE, HOPPER DOOR		
9	80039	1	EDGING, HOPPER DOOR X 30.12"		
10	80606	2	COTTER, 3/8" RING		
11	80041	2	BAR, HOPPER DOOR SIDE SEAL		
12	80038	2	SEAL, SIDE HOPPER DOOR		
13	80037	1	SEAL, LOWER HOPPER DOOR		
14	80040	1	CORD, HOPPER SEAL		
15	80042	1	BAR, HOPPER DOOR LOWER SEAL		
16	80798	2	SPRING, EXT 1.0D X 8.75L X .125W		
17	05051	1	ACTUATOR, 36VDC 3" STROKE		
18	80638	1	PIN, CLEVIS 3/8" X 1.25" PLTD		
19	80637	1	PIN, CLEVIS 3/8" X 2.375" PLTD		
20	29176	1	DIODE ASM, ACTUATOR		
21	72122	1	SWITCH, TRAVEL LIMIT		

To Order Parts Call 1-888-702-5326 - <https://monsterfloorequipmentparts.com>

# MAIN BROOM LIFT GROUP

parts.com



To Order P

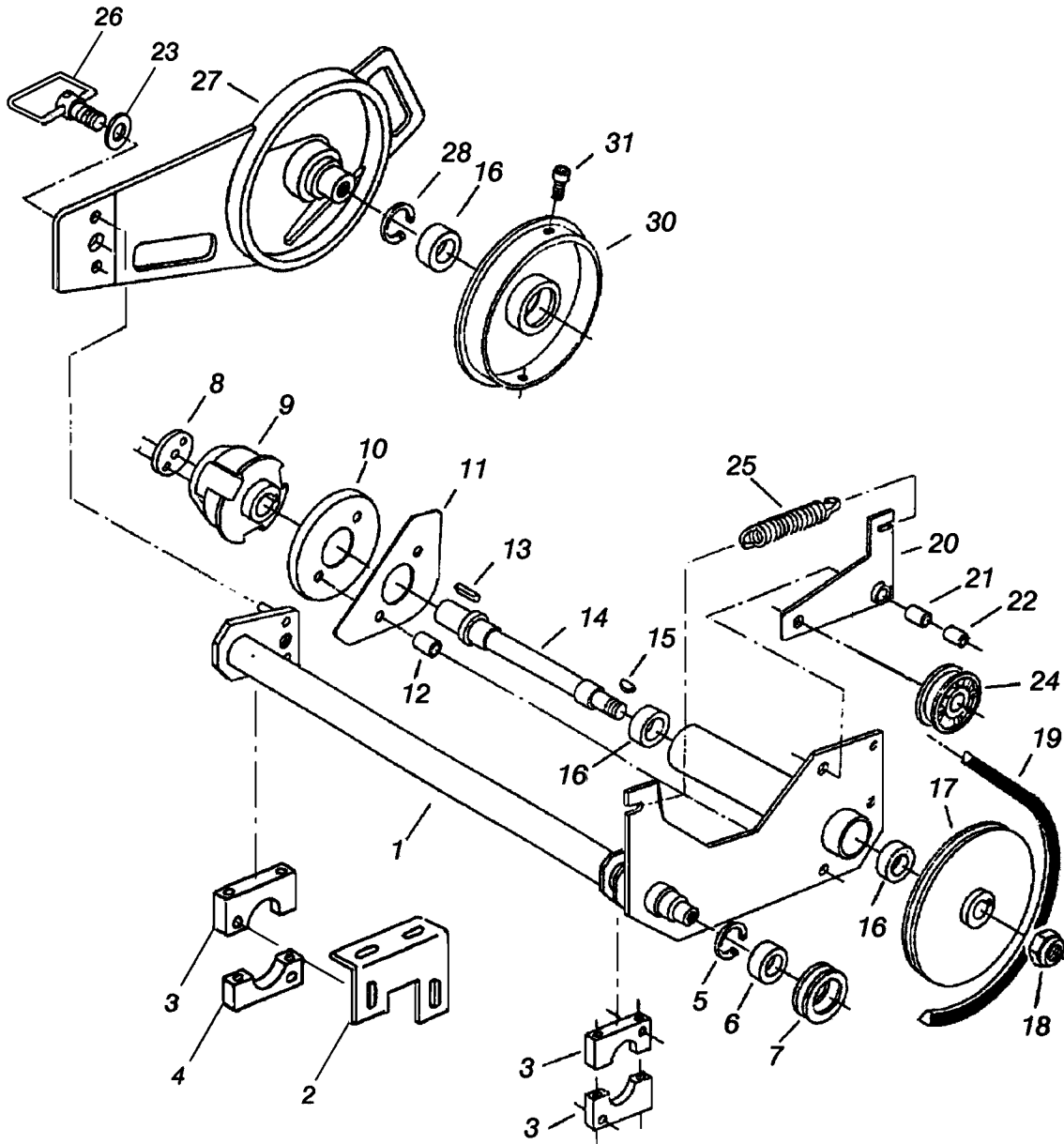
**MAIN BROOM LIFT GROUP**

REF	PART NO.	QTY	DESCRIPTION	SERIAL NO. FROM	NOTES:
1	80673	1	KNOB, 1/2-13 F-INSERT		
2	80349	1	WELDMENT, BROOM LIFT ROD		
3	80670	1	PIN, CLEVIS 1/4" X 1.125" PLTD		
4	80604	1	COTTER, 1/4" RING		
5	80808	1	PIN, CLEVIS 3/8" X 5.5"L PLTD		
6	80606	1	COTTER, 3/8" RING		
7	80672	1	NUT, 1/2-13 WING PLTD		
8	87119	2	WASHER, .53 ID X 1.0 OD X .060 PLTD		
9	80674	1	KNOB, 1/2-13 F-INSERT ADJUSTING		
10	OPEN	-	-		
11	80339	1	WELDMENT, M-BROOM LIFT PIVOT		
12	80335	1	WELDMENT, BROOM LIFT ROD		
13	80362	1	CABLE, .13 X 40.5 0719 GS NO E-M		
14	80669	1	PIN, CLEVIS 5/16" X 3/4"L PLTD		
15	80605	5	COTTER, 5/16" RING		
16	80608	3	PULLEY, PLASTIC 1.95 DIA		
17	80609	4	PIN, CLEVIS 5/16" X 1.12" PLTD		
18	OPEN	-	-		
19	80363	1	BAR, MAIN BROOM ARM		
20	80780	1	SWITCH, SPDT LEVER DRIP-PROOF		
21	80815	2	BEARING, FLANGED 3/8" ID 1 1/16"		
22	80824	2	TERM, STR TAB 1/4" MALE X #1		

To Order Parts Call 1-888-702-5326 - <https://monsterfloorequipmentparts.com>

# MAIN BROOM GROUP

US.COM



To Order Parts Call

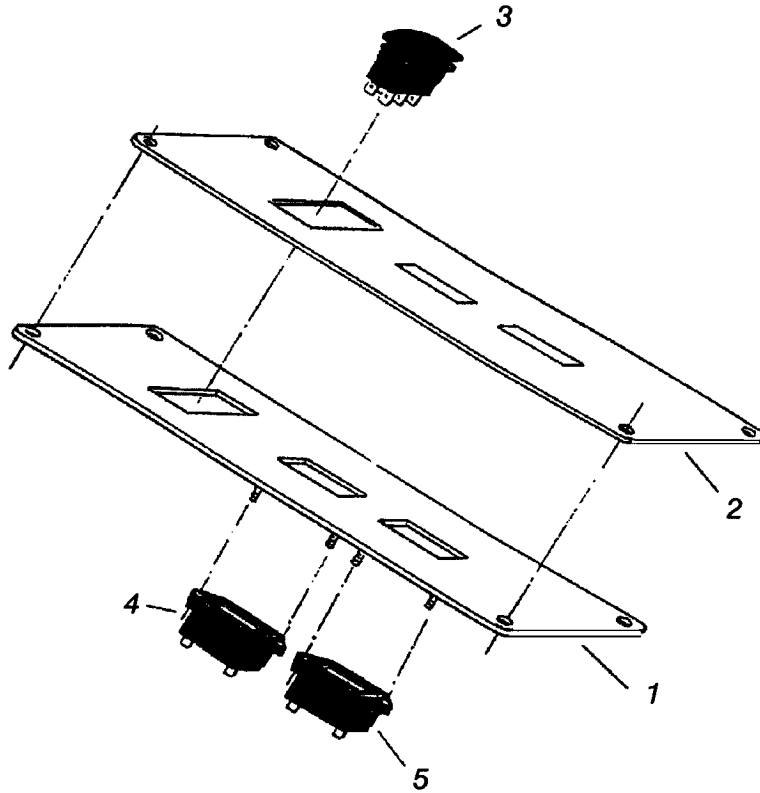
**MAIN BROOM GROUP**

REF	PART NO.	QTY	DESCRIPTION	SERIAL NO. FROM	NOTES:
1	80175	1	WELDMENT, M-BROOM LIFT ARM		
2	80209	1	MOUNT, M-BROOM BEARING BLOCK		
3	80207	3	BLOCK, MAIN BROOM BEARING		
4	80208	1	BLOCK, MAIN BROOM BEARING LOWER		
5	80663	1	RING, RETAINING 1/580" INT		
6	09078	1	BEARING, BALL 203PP SEALED		
7	64079	1	PULLEY, MAIN BROOM IDLER		
8	80008	1	BAR, BROOM DRIVE RETAINER		
9	80000	1	HUB, MAIN BROOM DRIVE		
10	80187	1	RING, MAIN BROOM GUARD		
11	80185	1	PLATE, MAIN BROOM SHIELD		
12	80186	2	TUBE, MAIN BROOM SHIELD SPACER		
13	80737	1	KEY, 1/4 X 1/4 X 1.13"L NON-PLTD		
14	80191	1	SHAFT, MAIN BROOM DRIVE		
15	80590	1	KEY, WOODRUFF 3/16" X 3/4" #606		
16	09079	3	BEARING, BALL 205PP SEALED		
17	64077	1	PULLEY, MAIN BROOM DRIVE		
18	80664	1	NUT, 3/4-16 HEX NYLOCK		
19	-	REF	V-BELT		
20	80188	1	WELDMENT, BELT TENSIONER		
21	09080	1	BEARING, BRONZE OIL FILLED		
22	80572	1	SPACER, 1/2 OD X .391 ID X .898		
23	87160	1	WASHER, 1/2 FLAT PLTD		
24	80667	1	PULLEY, IDLER 3.5 DIA X 1.50		
25	80816	1	SPRING, EXT 1.0 D X 7.50 L X .140 W		
26	80644	1	WELDMENT, MAIN BROOM HANDLE		
27	80184	1	ARM, MAIN BROOM IDLER CASTING		
28	80665	1	RING, RETAINING 2.06 INTERNAL		
29	OPEN	-	-		
30	80001	1	HUB, BROOM IDLER		
31	80641	1	RETAINER, BEARING		

To Order Parts Call 1-888-702-5326 - <http://monsterfloorequipmentparts.com>

**INSTRUMENT PANEL GROUP**

[equipmentparts.com](http://equipmentparts.com)



To Order Parts Call 1-888-702-5

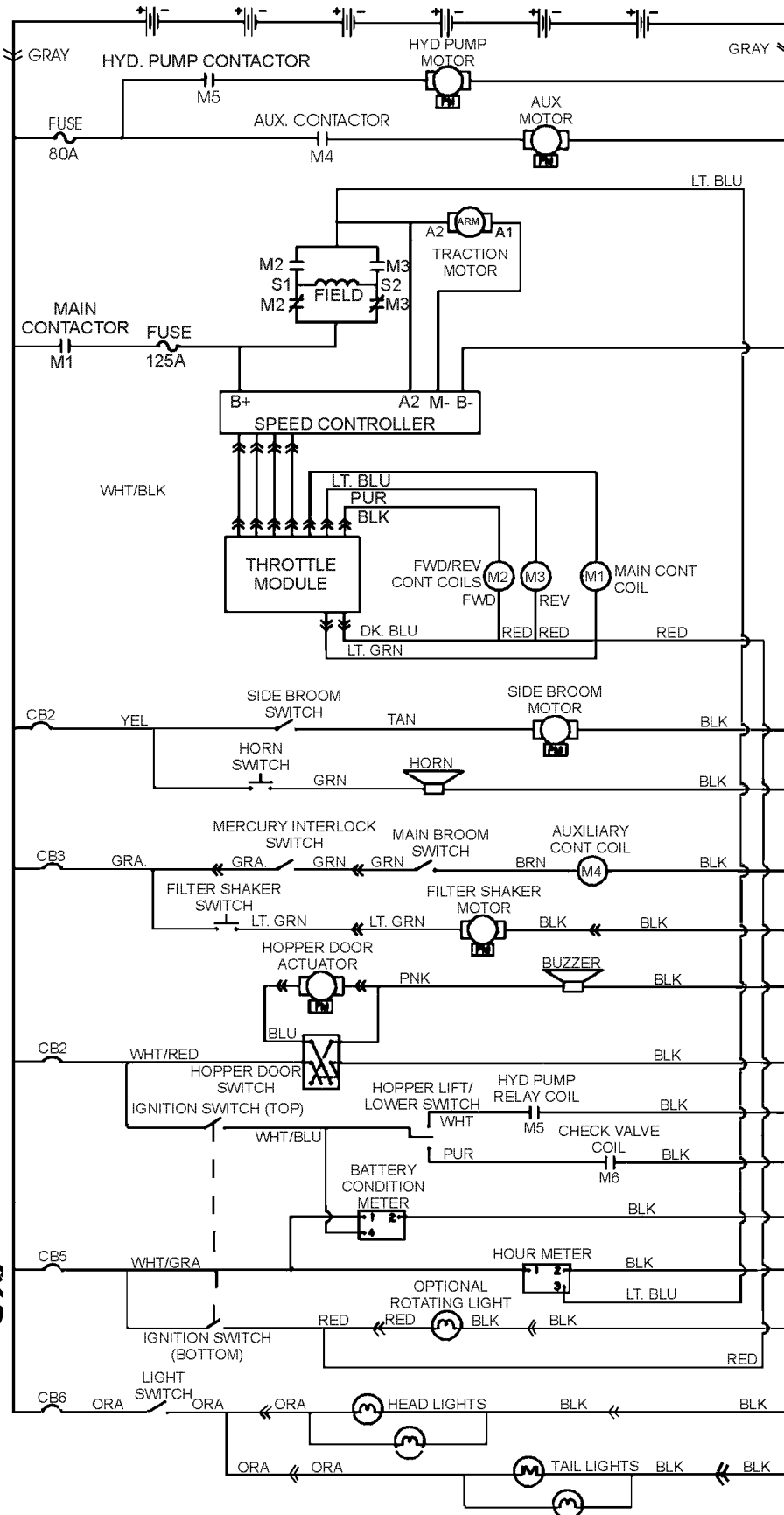
**INSTRUMENT PANEL GROUP**

REF	PART NO.	QTY	DESCRIPTION	SERIAL NO. FROM	NOTES:
1	80540	1	PANEL, FRONT ELECTRIC		
2	80530	1	PANEL, LINTLE ELECTRIC DECAL		
3	72130	1	SWITCH, SPST 2-POSITION ROCKER		
4	54144	1	METER, 36V BATTERY CHARGE LEVEL		
5	54154	1	METER, 12-48 VDC LED HOUR		

To Order Parts Call 1-888-702-5326 - <https://monsterfloorequipmentparts.com>



# WIRING GROUP



rentparts.com

To Order Part

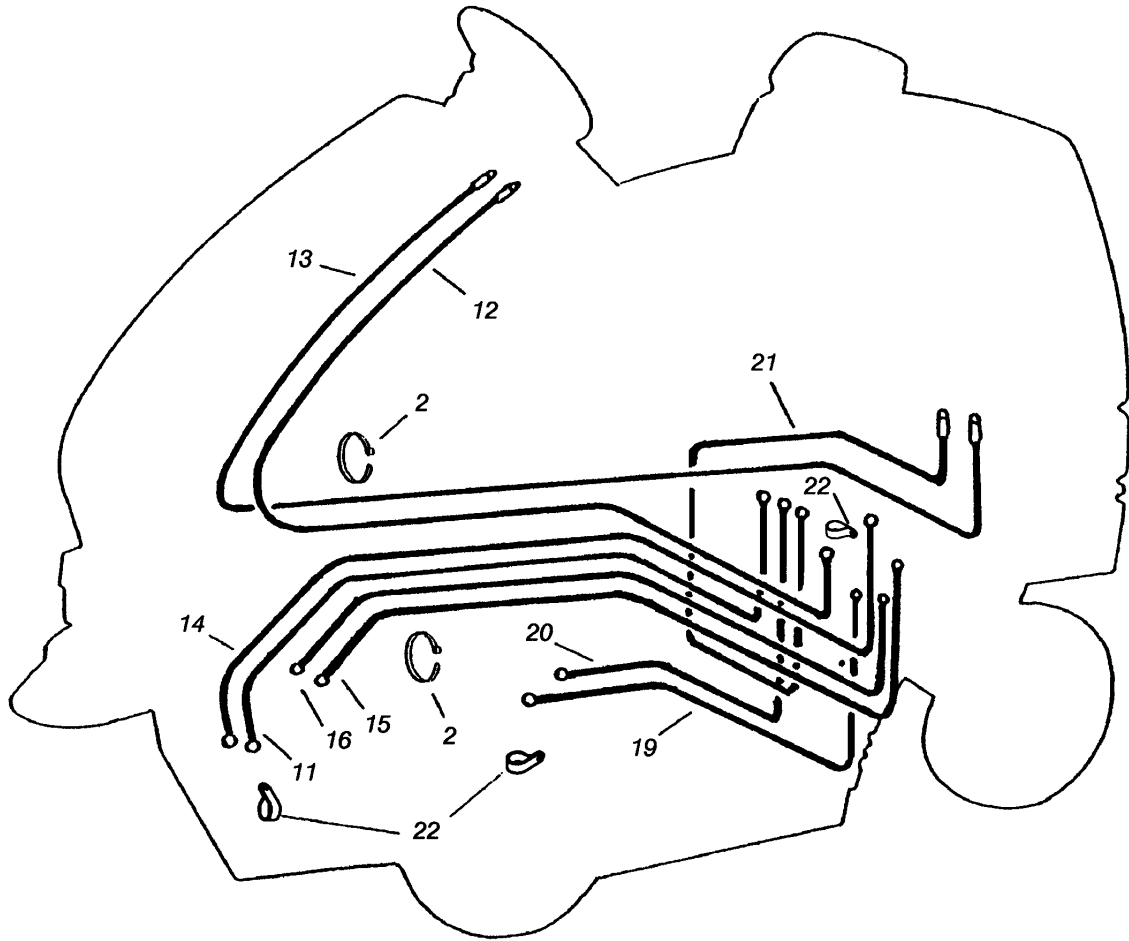
**WIRING GROUP**

REF	PART NO.	QTY	DESCRIPTION	SERIAL NO. FROM	NOTES:
1	81938	1	HARNESS, MAIN 42" BAT SWPR NEW		
2	27049	1	CABLE TIE, 7" UL/CSA		
3	27196	1	CABLE TIE, .375 X 17.5		
4	80877	1	HARNESS, HOPPER 42"		
5	80862	1	HARNESS, THROTTLE 42" BAT SWPR		
6	80878	1	HARNESS, REAR CLIP 42"		
7	OPEN	-	-		
8	80863	1	WIRE, 8 X 15BK B306 X B306		
9	80864	1	WIRE, 8 X 42BK B306 X B307		
10	80865	1	WIRE, 8 X 28.5BK B306 X B306		
11	80866	1	CABLE, 4 X 63BK 5/16RING X 5/16RING		
12	80867	1	CABLE, 4 X 66BK 5/16RING X 5/16RING		
13	80868	1	CABLE, 4 X 77BK CTERM X CTERM		
14	80869	1	CABLE, 4 X 71BK 5/16RING X 5/16RING		
15	80870	1	CABLE, 4 X 65BK 5/16RING X 5/16RING		
16	80871	1	CABLE, 4 X 64BK 5/16RING X 5/16RING		
17	80872	2	CABLE, 4X14.5BK 5/16RINGX 5/16RING		
18	OPEN	-	-		
19	80874	1	CABLE, 4 X26.5BK 5/16RINGX5/16RING		
20	80875	1	CABLE, 4 X 30BK 5/16RING X 5/16RING		
21	80876	1	CABLE, 4 X 30BK CTERM X 5/16RING		
22	80889	8	BOOT, RUBBER TERM ISOLATOR		
23	27050	3	CABLE TIE, 3.5" UL/CSA		
24	88625	1	WIRE, 14" WHT/14 76002 X 76029		
25	23125	5	WIRE, 4 X 15 BCLAMP X BCLAMP		
26	23190	1	CABLE, 4 X 27 RD BCLAMP X CTERM		
27	23191	1	CABLE, 4 X 27 BK BCLAMP X CTERM		

To Order Parts Call 1-888-702-5326 - <http://monsterfloorequipmentparts.com>

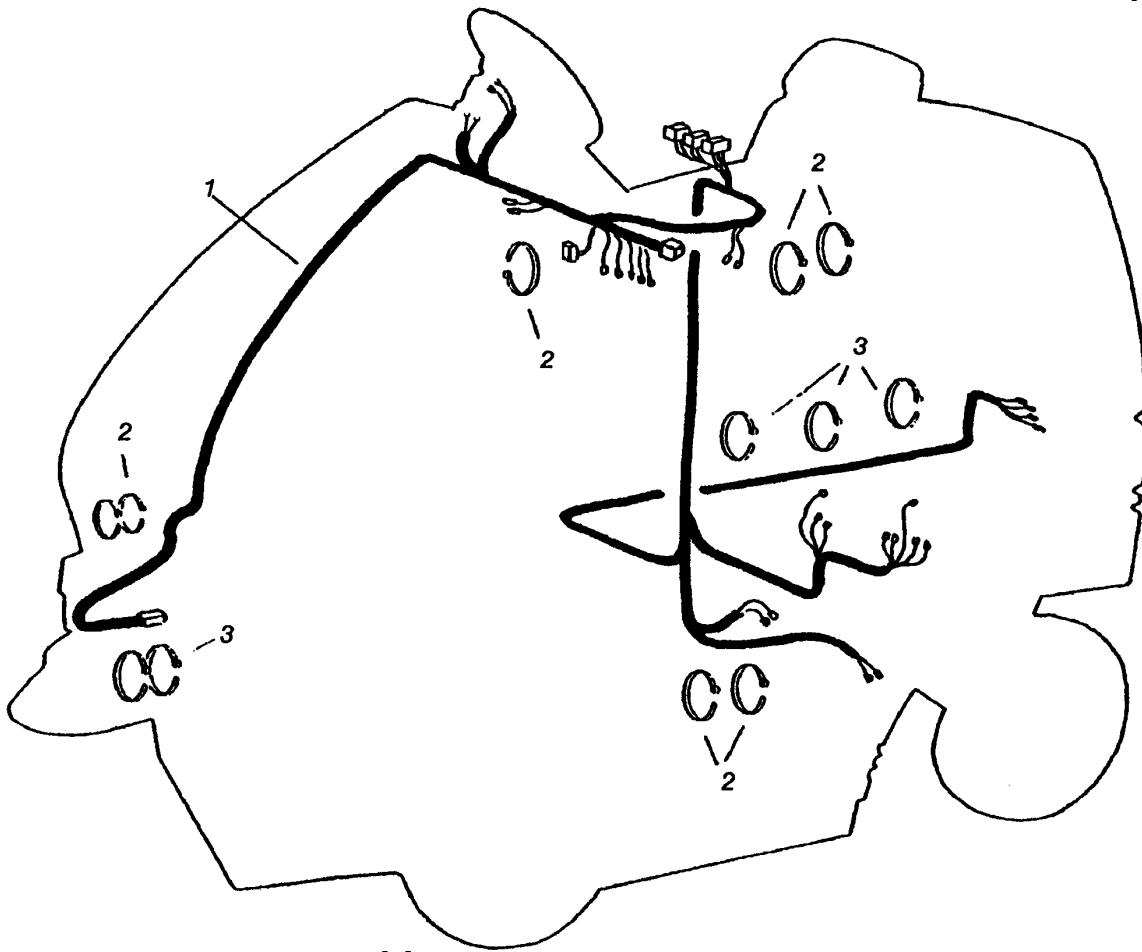
**CABLE ROUTING #1**

parts.com



To Order Parts Call 1-888-

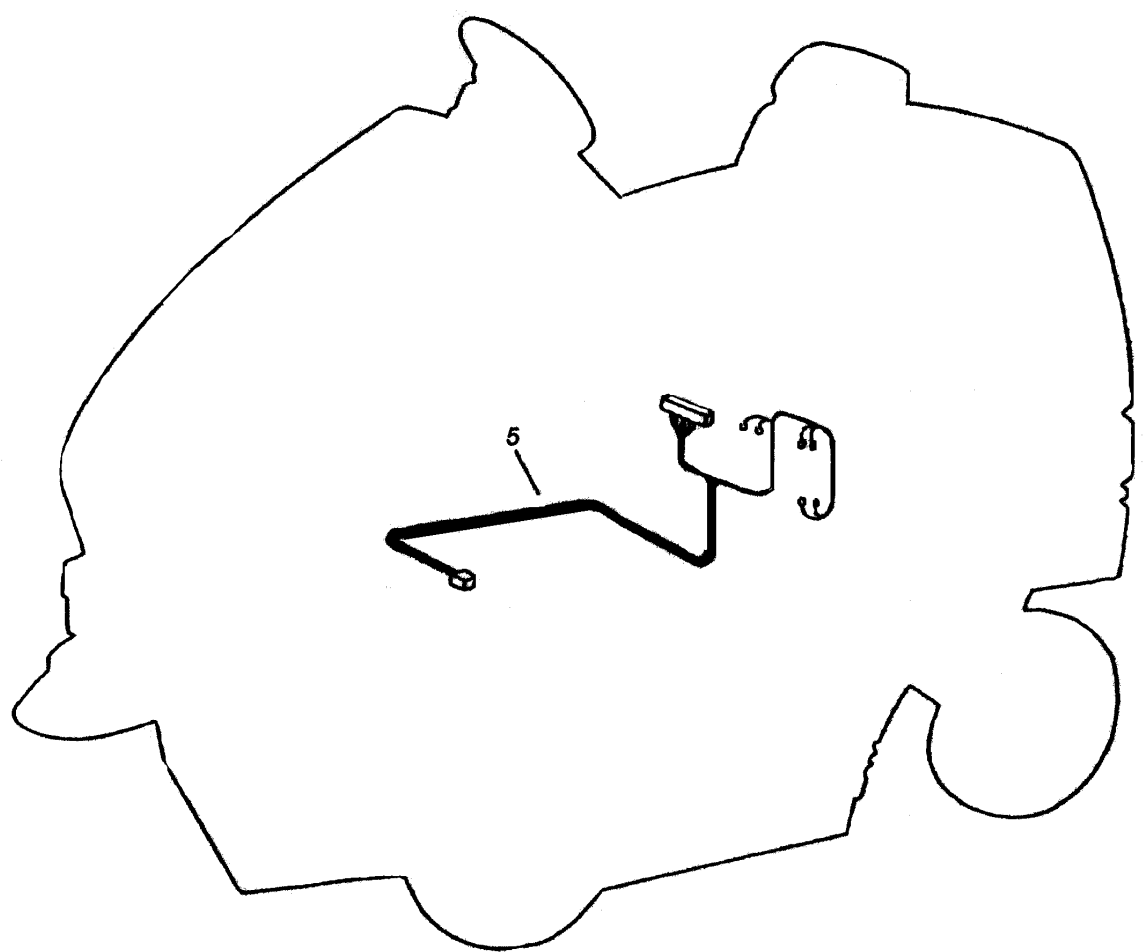
3.COM



To Order Parts Call 1-888-702

**THROTTLE HARNESS**

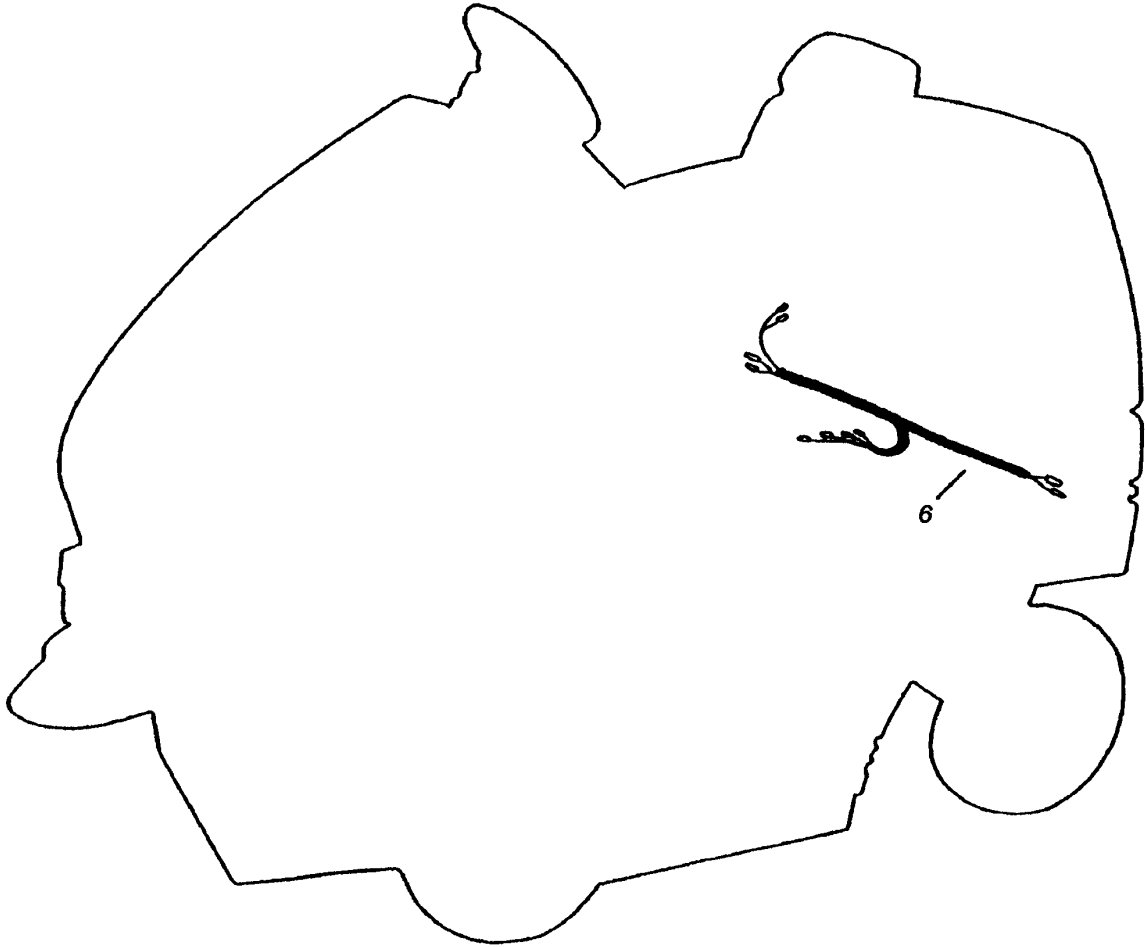
parts.com



To Order Parts Call 1-888-70.

**REAR CLIP HARNESS**

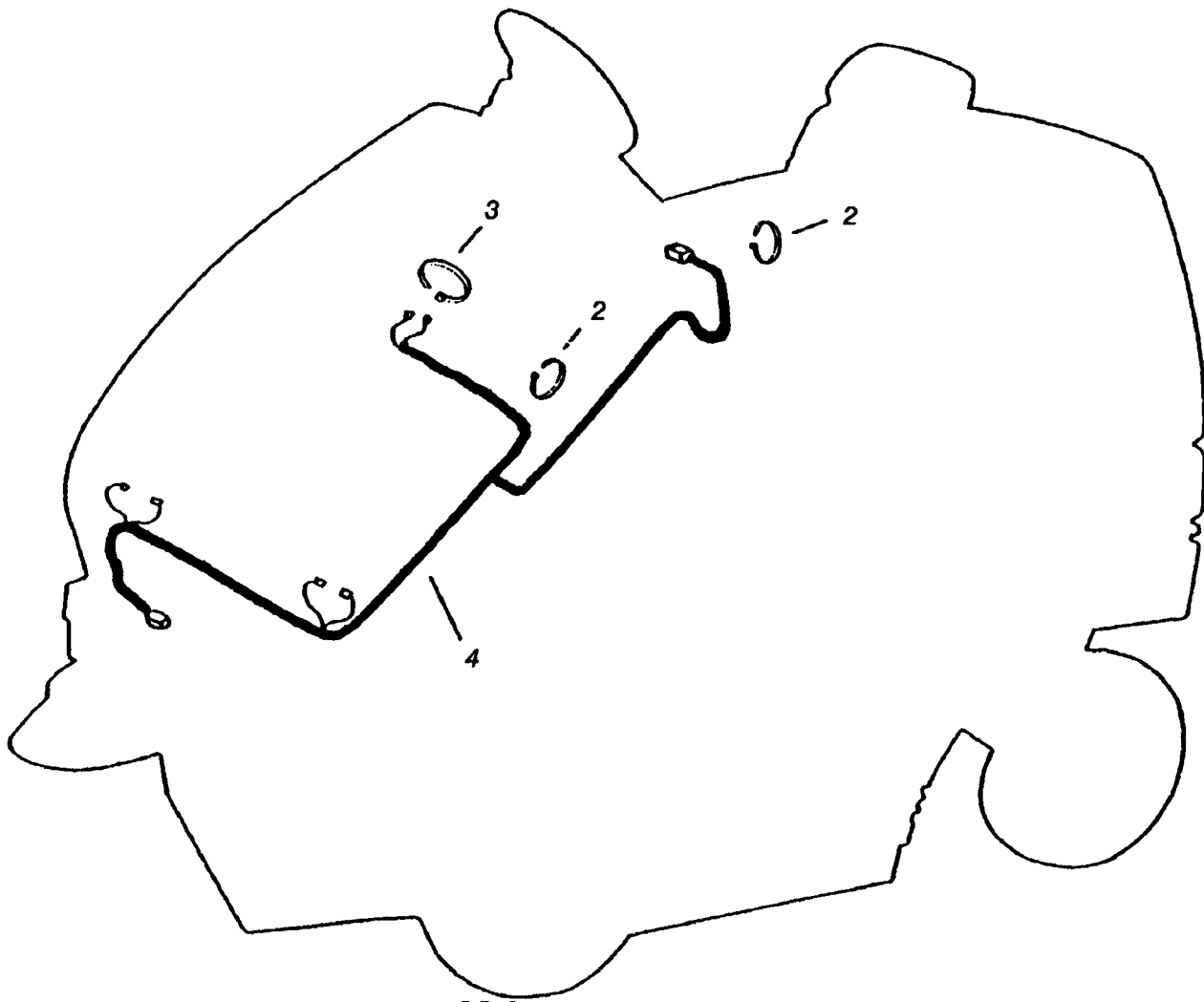
arts.com



To Order Parts Call 1-888-1

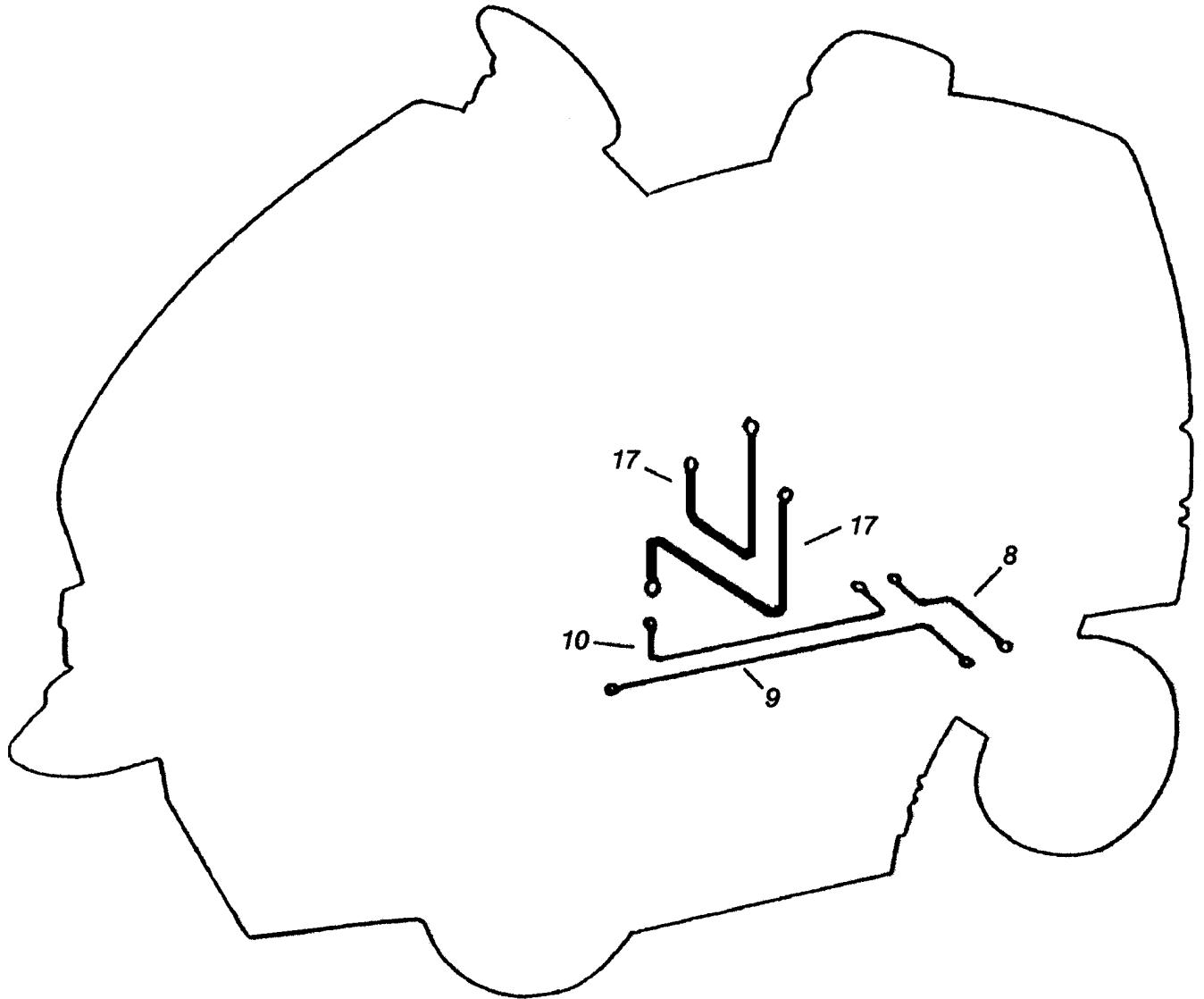
**HOPPER HARNESS**

[s.com](http://www.s.com)



To Order Parts Call 1-888-72

com



To Order Parts Call 1-8



**NOTES**

To Order Parts Call 1-888-702-5326 - <https://monsterfloorequipmentparts.com>