

# ***Minuteman***<sup>®</sup> ***Parker***<sup>®</sup>

Model:  
PV0165B  
PV0110B  
PV8708H  
PV8708K

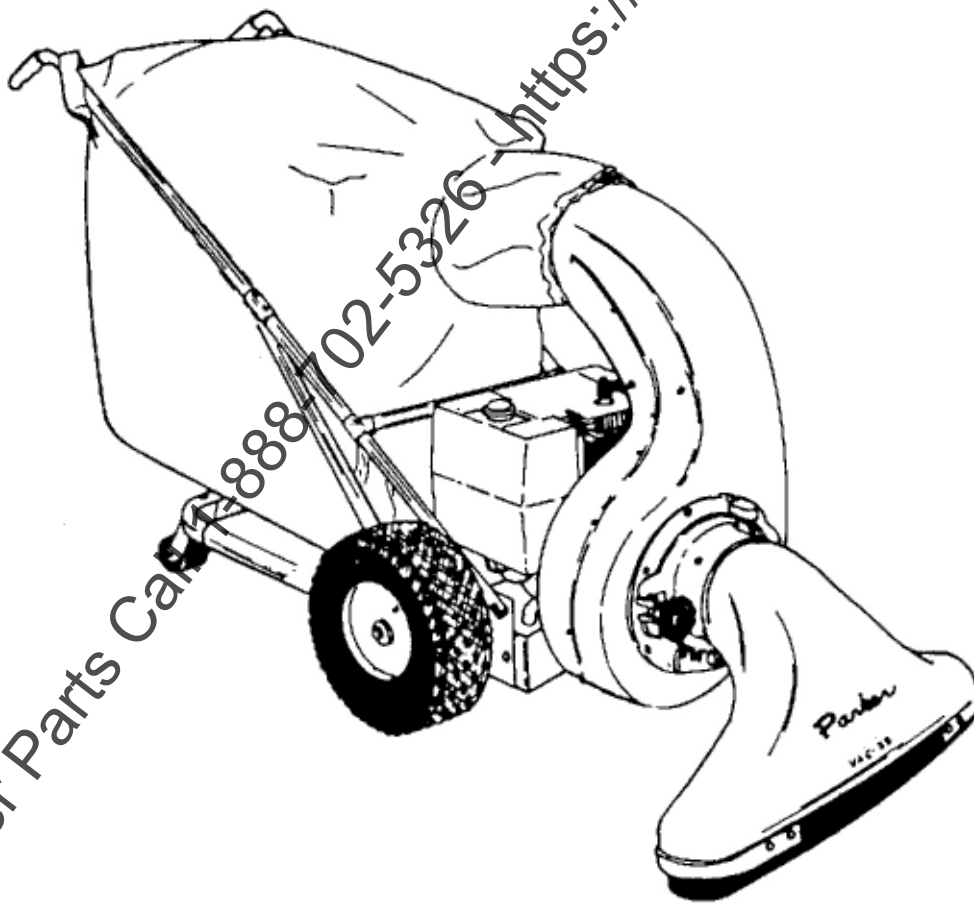
## **Vac 35**

**OPERATION**

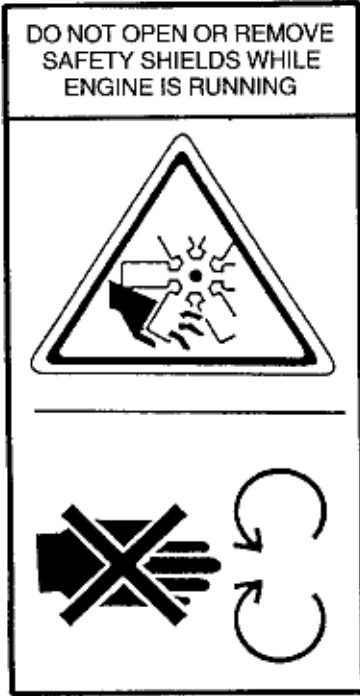
**SERVICE**

**PARTS**

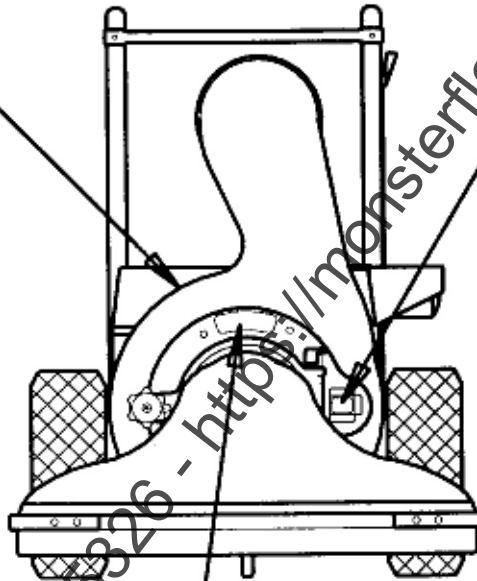
**CARE**



# SAFETY DECALS



715300



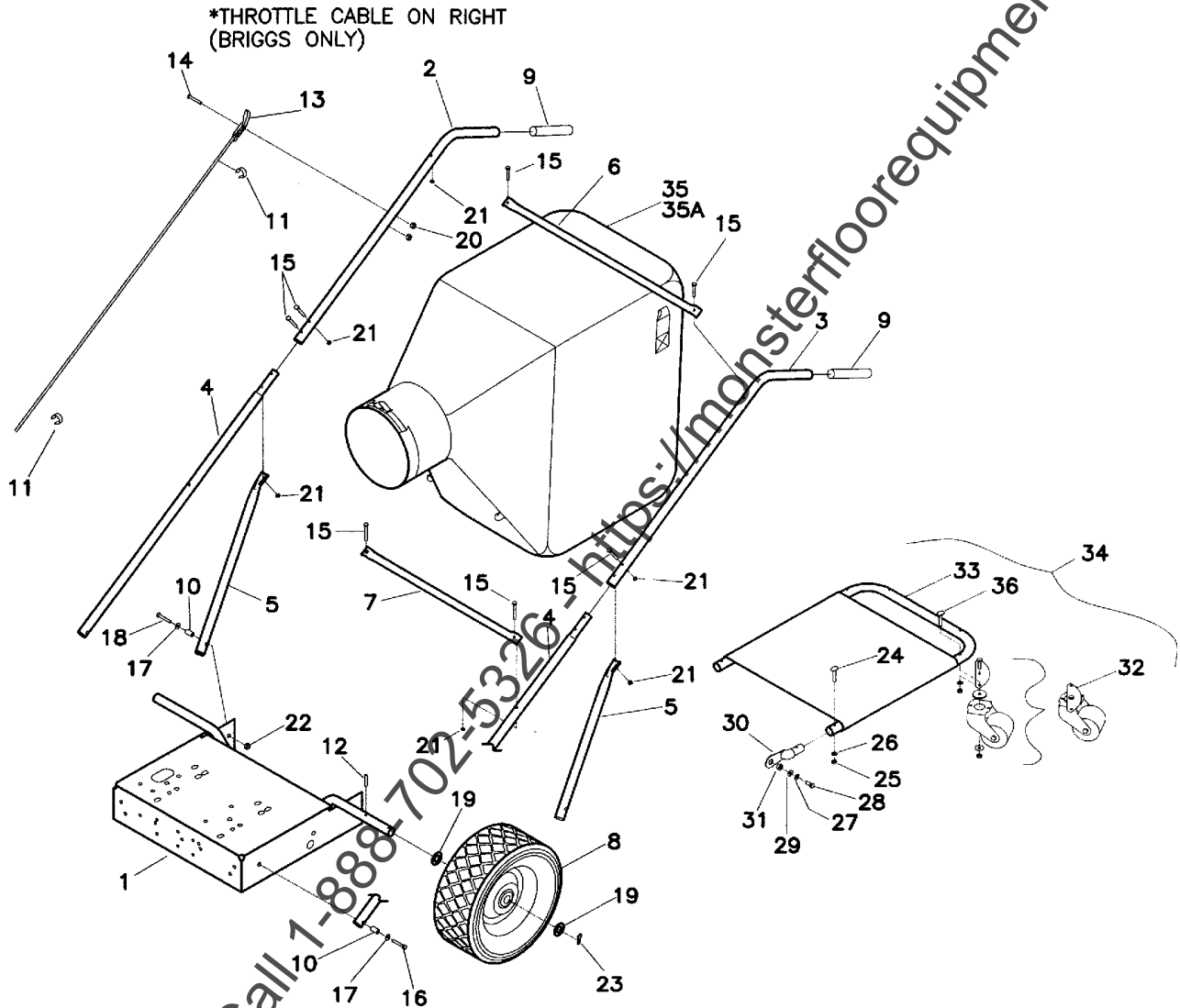
715313



85-151-A

To Order Parts Call 1-888-702-5326 - <http://monsterfloors.com/equipmentparts.com>

# HANDLE ASSEMBLY



To Order Parts Call 1-888-702-5326 <https://monsterfloorequipmentparts.com>

# HANDLE ASSEMBLY

## Parts List

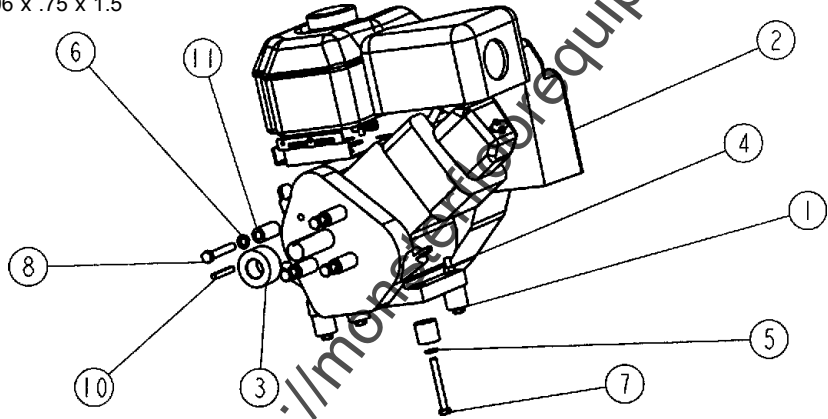
Item	Part No.	Qty.	Description
1	88-60-C	1	Chassis Weldment
2	80-321-C	1	Upper Handle
3	83-18-C	1	Upper Handle
4	88-47-B	2	Lower Handle
5	88-48-C	2	Handle Back Brace
6	81-04-B	1	Cross Brace, Upper
7	81-58-B	1	Cross Brace, Lower
8	SA-231-B	2	Wheel Assembly
9	80-232-A	2	Handle Grip
10	80-238-C	4	Insert
11	80-276-A	4	Clamp, Snap-On
12	711644	2	Roll Pin, .199/ .194 Dia. x 1 1/2 Lg.
13	83-25-B-41	1	Throttle Control Assembly
14	712521	2	Screw, FMS 10-24 x 1 1/4
15	713005	8	Bolt, HH 1/4-20 x 1 1/2
16	713029	2	Bolt, HH 5/16-18 x 1.5
17	711506	4	Washer, Fl. Plain 5/16
18	713031	2	Bolt, HH 5/16-18 x 2
19	945-1216	4	Washer, Plain 3/4
20	712638	2	Nut, Hex Lock 10-24
21	711373	8	Nut, Hex Lock 1/4-20
22	711374	2	Nut, Hex Lock 5/16-18
23	380-432-20	2	Cotter Pin
24	69-416-24	2	Bolt, Contour Hd. 1/4-20
25	711316	6	Nut, Hex 1/4-20
26	711544	6	Washer, Helical 1/4
27	711545	2	Washer, Helical 5/16
28	713027	2	Bolt, Hex 5/16-18 x 1.0
29	76-36-A	2	Washer, Special
30	92-22	2	End Cap, Tubing
31	81-020-A	2	Spacer
32	SA-1021-B	1	Caster & Plate Assy.
33	SA-1023-C	1	Frame & Bag Platform
34	MA-471-D	1	Bag Platform Complete
35	350800	1	Vacuum Dust Bag, Standard
35A	350850	1	Vacuum Dust Bag, Optional
36	69-416-28	4	Bolt, Contour Hd. 1/4-20 x 1 3/4

To Order Parts Call 708-702-5326 - <http://monsterfloorequipmentparts.com>

# BRIGGS & STRATTON 10 HP

## Parts List

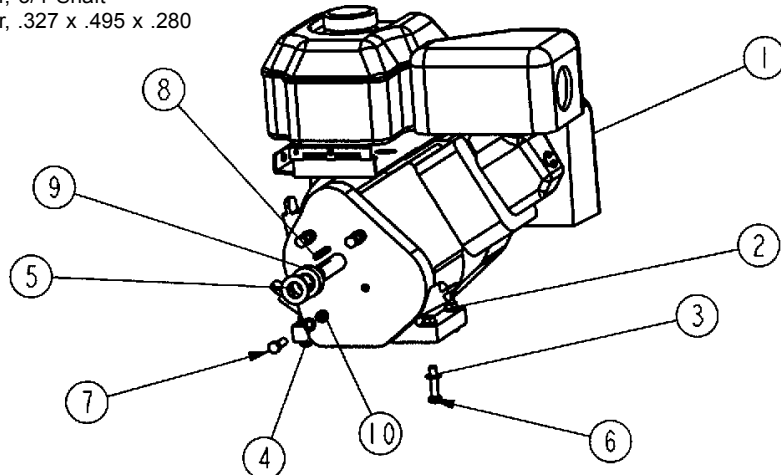
Item	Part No.	Qty.	Description
1	232319	4	Spacer, .359 x 1.125 x 1.078
2	350602	1	Engine, 10 HP Intek B/S
3	360111	1	Spacer, 1 x 2 x 1
4	711374	4	Nut-Nloc 5/16-18
5	711506	8	WSR-5/6 STPL
6	711546	4	WSR-Helical 3/8
7	713034	4	BLT-HH 5/16-18 x 2.75 #5
8	713047	4	BLT-HH 3/8-16 x 2 1/4 #5
9	715314	1	Decal, Burn Warning (not shown)
10	63-130-A	1	Key, 1/4 x 1 3/4
11	82-151-A	4	Spacer, .406 x .75 x 1.5



# BRIGGS & STRATTON 6.5 HP

## Parts List

Item	Part No.	Qty.	Description
1	360024	1	Engine, 6.5 HP B/S Intek
2	711374	4	Nut-Nloc 5/16-18
3	711506	8	WSR-5/16 STPL
4	711545	4	WSR-Helical 5/16
5	712765	1	WSR-Flat .75 x 1.375 x .09SS
6	713029	4	BLT-HH 5/16-18 x 1 1/2 #5
7	60-516-16	4	BLT-HH 5/16-24 x 1.00 #5
8	61-65-A	1	Key, 3/16 x 1 3/4
9	73-20-A	1	Spacer, 3/4 Shaft
10	81-42-A	4	Spacer, .327 x .495 x .280



**BRIGGS & STRATTON  
6.5 HP/10 HP**

**SAFETY INTERLOC WIRING DIAGRAM BRIGGS 6.5 & 10HP**

HOLES SHOWN IN APPX. POSITION:  
\*710177 USED ON 6.5HP  
\*710195 USED ON 10HP

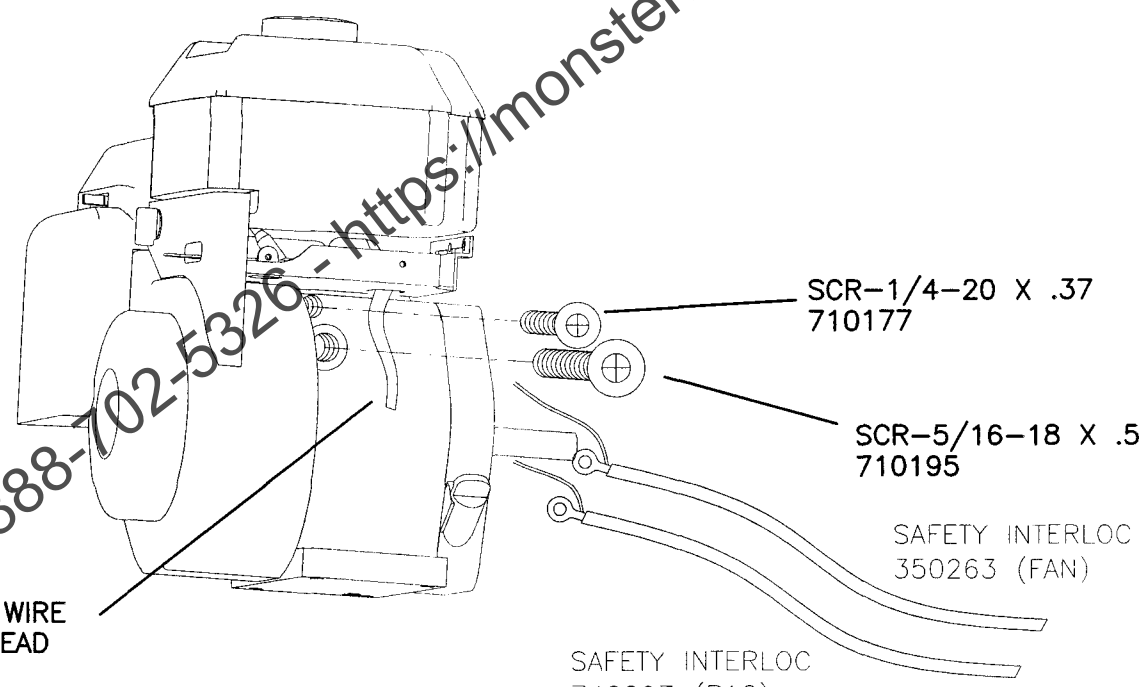
GROUND WIRE  
SINGLE LEAD

SCR-1/4-20 X .37  
710177

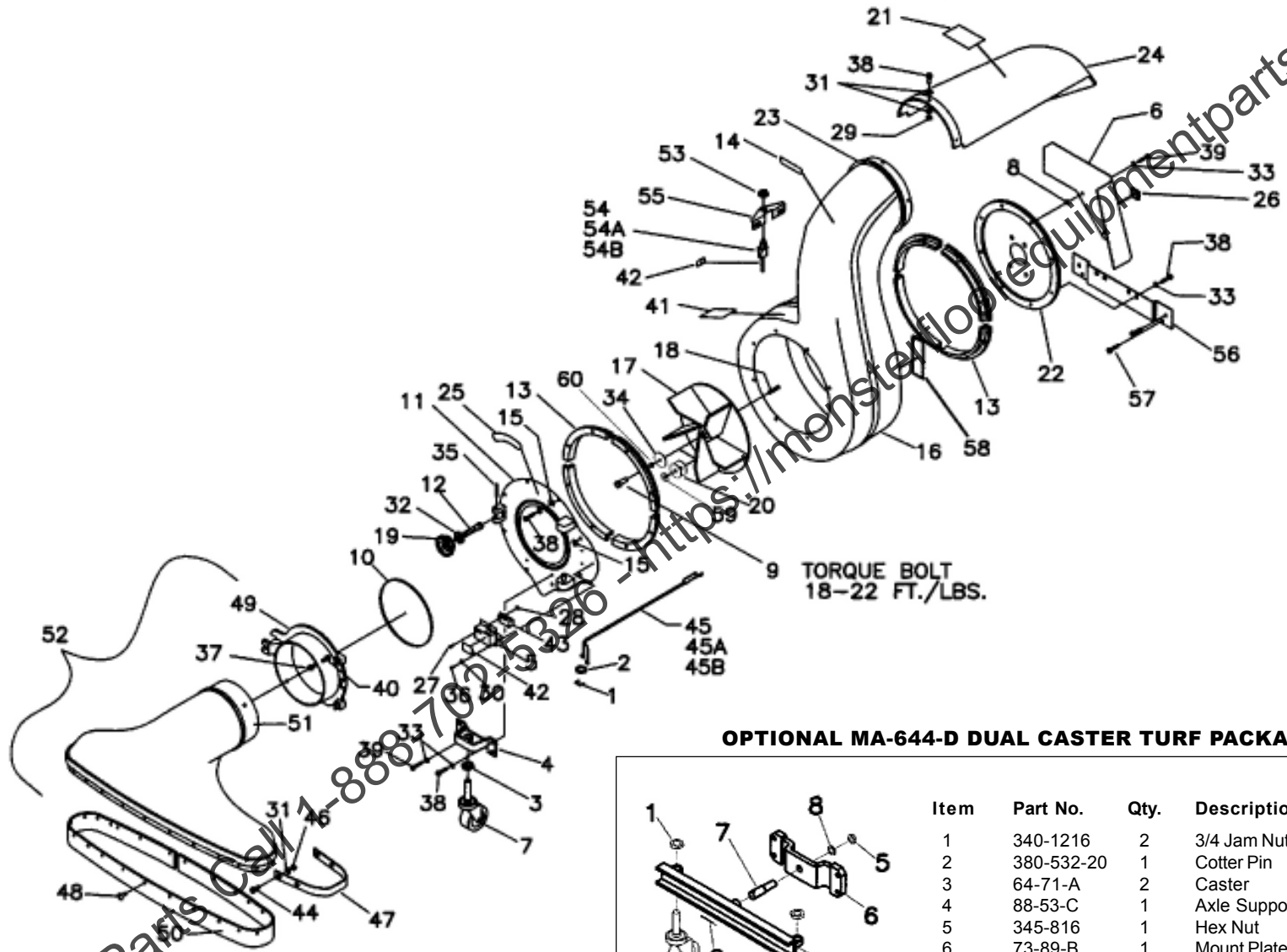
SCR-5/16-18 X .5  
710195

SAFETY INTERLOC  
350263 (FAN)

SAFETY INTERLOC  
740297 (BAG)



To Order Parts Call 1-888-702-5326 - <https://monsterfloorequipmentparts.com>



**OPTIONAL MA-644-D DUAL CASTER TURF PACKAGE**

Item	Part No.	Qty.	Description
1	340-1216	2	3/4 Jam Nut
2	380-532-20	1	Cotter Pin
3	64-71-A	2	Caster
4	88-53-C	1	Axle Support Weldment
5	345-816	1	Hex Nut
6	73-89-B	1	Mount Plate
7	73-94-A	1	Pivot Pin
8	936-816	1	Int. Tooth Lock WSR
9	350850	1	Vacuum Dust Bag

To Order Parts Call 800-825-3260 <http://www.monsterflo.com> [equipmentparts.com](http://www.monsterflo.com/equipmentparts.com)

# PARTS LIST

Item	Part No.	Qty.	Description	Item	Part No.	Qty.	Description
1	250136	1	Strain Relief	34	82-138-B-1	1	Special Washer 6.5 HP Only
2	101008	1	Rubber Grommet	35	711661	1	Spring Pin
3	340-1216	1	Hex Jam Nut	36	712810	3	10-24 x .62 MCH Screw
4	66-430-C	1	Caster Bracket	37	713001	4	1/4-20 x .68 Hex Bolt
5	350130	1	Switch Bracket	38	713003	14	1/4-20 x 1.00 Hex Bolt
6	350275	1	Heat Shield	39	713004	2	1/4-20 x 1.25 Hex Bolt
7	64-71-A	1	Stem Type Caster	40	369-416	4	1/4-20 Serrated Hex Lock Nut
8	54-227-A	2	Spacer	41	715300	1	Warning Decal
9	60-716-24	1	BLT-HH 7/16-20 x 1.25 #5	42	715313	2	Safety Interlock Decal
9A	60-516-20	1	Bolt HH 5/16-24 x 1 #5	43	740282	1	Gray Safety Switch
10	63-190-A	1	O-Ring Gasket	44	713002	12	1/4-20 x .75 Hex Bolt
11	63-191-D	1	Front Plate	45	740818	1	Wire Lead (Briggs)
12	63-192-A	1	Pivot Bolt	45A	740288	1	Wire Lead (Kohler)
13	64-78-C	8	Anti-Wrap Segment	45B	740297	1	Wire Lead (Honda)
14	67-08-A	1	Spin Pak Decal	46	711377	8	1/4-20 Lock Nut
15	78-120-A	2	Cable Clip	47	62-98-C	2	Guard
16	70-103-F	1	Housing Assembly	48	80-332-A	15	Xmas Tree Fastener
17	72-175-D	1	Fan Wheel, 10 HP	49	350152	1	Collar
17A	61-14-E	1	Fan Wheel, 6.5 HP	50	73-76-C	1	Skirt (24" intake)
18	74-112-A	1	1/4 x 2.50 Fan Key	50A	73-67-D	1	Skirt (30" intake)
19	80-29-A	1	Adjusting Knob	50B	73-74-D	1	Skirt (36" intake)
20	82-138-B-3	2	7/16 Flat Washer 10 HP	51	65-567-F	1	24" Intake Housing
21	715318	1	Caution Decal	51A	77-18-F	1	30" Intake Housing
22	84-346-C	1	Back Plate and Gasket	51B	77-18-F	1	36" Intake Housing
23	85-59-C	1	Retaining Ring	52	SA-911-D	1	30" Intake
24	85-61-D	1	Spin-Pak® Deflector	53	350135	1	Switch Nut
25	85-151-A	1	Warning Decal	54	740283	1	Safety Switch (Briggs)
26	350319	1	Anti Vibration Sponge 6.5 HP Only	54A	740297	1	Safety Switch (Honda)
27	710130	2	8-32 x .62 MCH Screw	54B	740298	1	Safety Switch (Kohler)
28	711372	2	8-32 Nylc Nut	55	350129	1	Safety Switch Bracket
29	711373	4	1/4-20 Nylc Nut	56	350128	1	Housing Support
30	711503	3	#10 Washer	57	72-416-10	4	1/4-20 x .50 Threaded Cutting Bolt
31	711505	20	1/4" Flat Washer	58	715314	1	Decal, Burn Warning (6.5 HP B/S)
32	711509	1	1/2" Flat Washer	59	350242	1	Belleville WSR-7/16 10 HP Only
33	711544	18	1/4" Lock Washer	60	711545	1	WSR-Helical 5/16 6.5 HP Only