

# SOLUTION TANK

190400

OPERATION ■ SERVICE ■ PARTS ■ CARE



To Order Parts Call 1-888-702-5326 - <https://monsterfloorequipmentparts.com>

**Minuteman<sup>®</sup>**

## Table of Contents

ASSEMBLY INSTRUCTIONS .....	2
SOLUTION TANK ASSEMBLY.....	4
Minuteman International Made Simple Commercial Limited Warranty .....	5

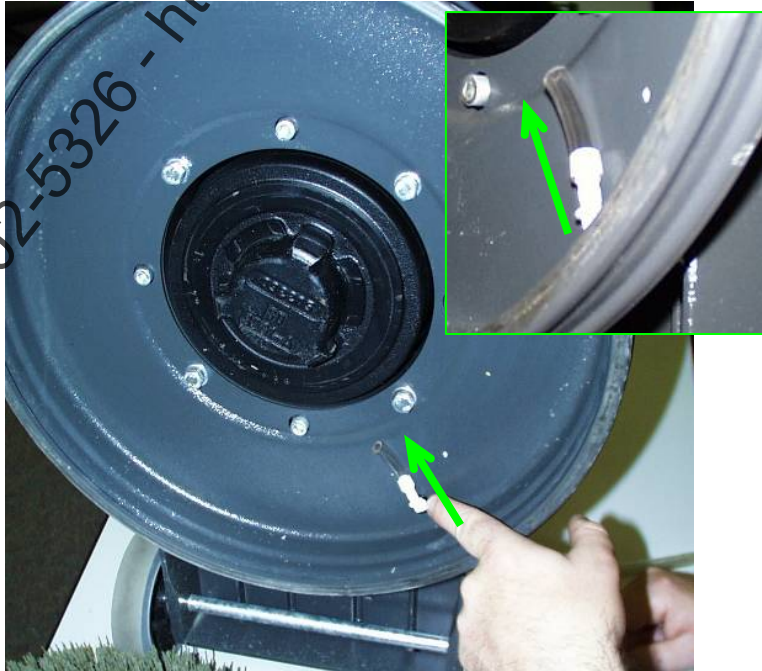
To Order Parts Call 1-888-702-5326 - <https://monsterfloorequipmentparts.com>

## ASSEMBLY INSTRUCTIONS



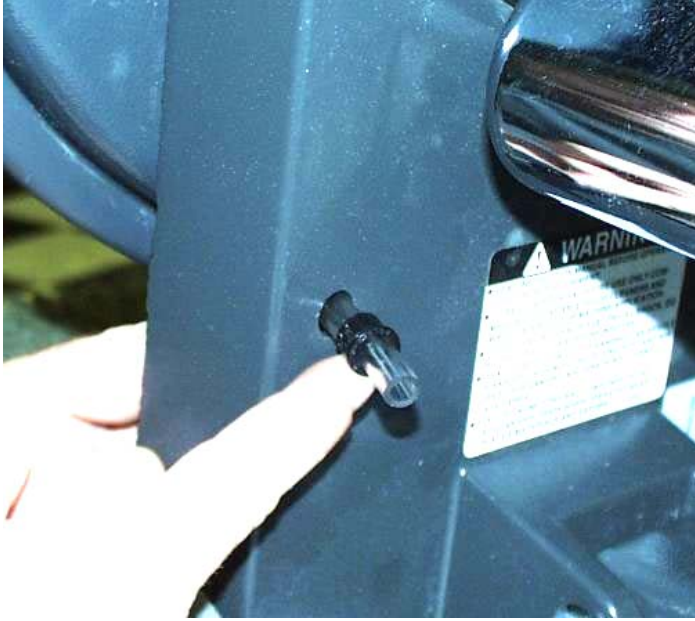
Take the FITTING-1/4 X 1/4 PLST 90 BARB (190421) and install a GROMMET (190403) onto one leg of the elbow. Take HOSE-1/4 ID X 8" LONG (190423) and install it onto the leg where the grommet was just placed. Then take HOSE 1/4 ID X 1.5" LONG (190420) and install it onto the open leg of the fitting.

Parts: 190421 / 190403 / 190423 / 190420

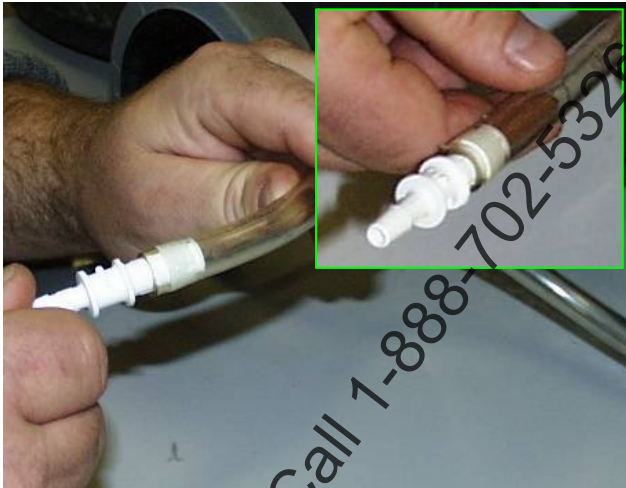


Install the tube assembly into the hole in the bottom of the housing (oriented toward the center hub) as shown above.

The orientation must be as shown.



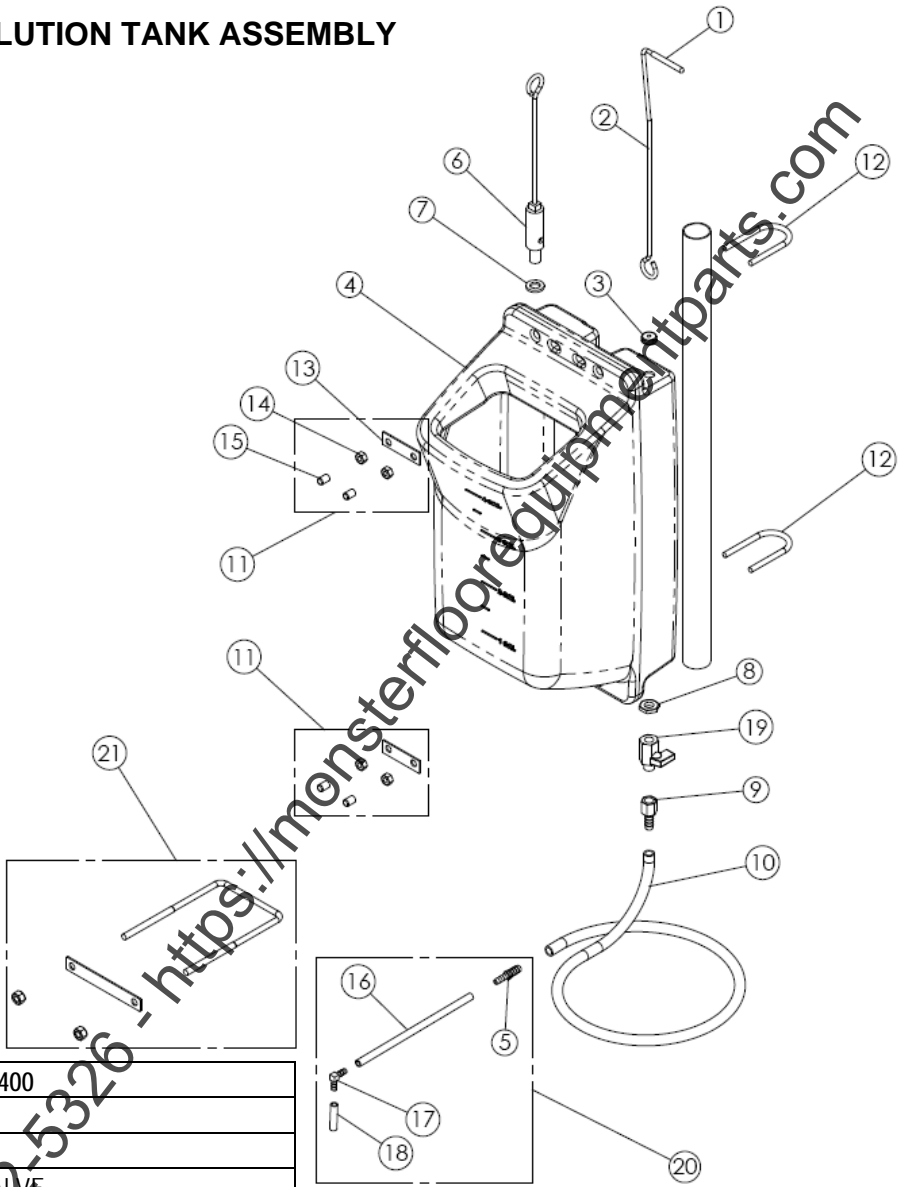
Slide the plastic sleeve onto the tube and into the hole (as shown above). Then trim the HOSE-1/4 ID X 8" LONG (**190423**) so that there is about 1-1/2" of tubing protruding from the frame.  
 Parts: 190423



Press the ADAPTER 1/4 X 3/8 PLS (**190422**) into the HOSE-DUMP 24IN CLEAR C/L (**430118**). Then press the hose onto the FITTING-1/4FPT 3/8HOSE BRASS (**833473**) as shown at right.

Parts: 190422 / 430118 / 833473

# SOLUTION TANK ASSEMBLY



## BILL OF MATERIAL - 190400

ITEM	PART NO.	REQ'D	DESCRIPTION
1	190401	1	HANDLE GRIP
2	190402	1	LONG HANDLE, VALVE
3	190403	1	GROMMET, SEAL
4	190404	1	TANK, SOLUTION
5	190422	1	ADAPTER, HOSEBARB
6	190405	1	VALVE, MAIN SOLUTION COMPLETE
7	190406	1	WASHER, VALVE SEAL
8	190407	1	HEX NUT, VALVE
9	833473	1	HOSEBARB, 1/4 NPT X 3/8H
10	430118	1	HOSE, 3.8" X 24" CLEAR
11	190408	2	U-BOLT KIT (INCLUDES ITEMS 12-15)
12	190427	2	U-BOLT
13	190428	2	PLATE, RETAINER
14	190429	4	HEX NUT, 5/16"-18UNC
15	190417	4	CAP, 10 X 14MM
16	190423	1	HOSE, 6MM X 203MM CLEAR
17	190421	1	FITTING, HOSE BARB 90 DEGREES
18	190420	1	HOES, 6MM X 38MM CLEAR
19	190430	1	VALVE, FLOW CONTROL
20	190424	1	SHAMPOO FEED KIT (INCLUDES INSTRUCTION SHEET)
21	190418	1	SQUARE U-BOLT KIT (OPTIONAL - SET OF 2)
22	988350	1	INSTRUCTION SHEET



**Minuteman International Made Simple Commercial Limited Warranty**  
**REVISION F EFFECTIVE 6/1/2009**

Minuteman International, Inc. warrants to the original purchaser/user that the product is free from defects in workmanship and materials under normal use. Minuteman will, at its option, repair or replace without charge, parts that fail under normal use and service when operated and maintained in accordance with the applicable operation and instruction manuals. All warranty claims must be submitted through and approved by factory authorized repair stations.

This warranty does not apply to normal wear, or to items whose life is dependent on their use and care such as belts, cords, switches, hoses, rubber parts, electrical motor components or adjustments. Parts manufactured by Minuteman are covered by and subject to the warranties and/or guarantees of their manufacturers. Please contact Minuteman for procedures in warranty claims against these manufacturers.

Special warning to purchaser — Use of replacement filters and/or prefilters not manufactured by Minuteman or its designated licensees, will void all warranties expressed or implied. A potential health hazard exists without original equipment replacement.

All warranted items become the sole property of Minuteman or its original manufacturer, whichever the case may be.

Minuteman disclaims any implied warranty, including the warranty of merchantability and the warranty of fitness for a particular purpose. Minuteman assumes no responsibility for any special, incidental or consequential damages.

This limited warranty is applicable only in the U.S.A. and Canada, and is extended only to the original user/purchaser of this product. Customers outside the U.S.A. and Canada should contact their local distributor for export warranty policies. Minuteman is not responsible for costs or repairs performed by persons other than those specifically authorized by Minuteman. This warranty does not apply to damage from transportation, alterations by unauthorized persons, misuse or abuse of the equipment, use of non-compatible chemicals, or damage to property, or loss of income due to malfunctions of the product.

If a difficulty develops with this machine, you should contact the dealer from whom it was purchased.

This warranty gives you specific legal rights, and you may have other rights which vary from state to state. Some states do not allow the exclusion or limitation of special, incidental or consequential damages, or limitations on how long an implied warranty lasts, so the above exclusions and limitations may not apply to you.

**Cord Electric Group: Three years parts, two years labor, ninety days travel (Not to exceed two hours)**

**Exceptions.....**

<u>Model</u>	<u>Parts</u>	<u>Labor</u>	<u>Poly</u>	<u>Travel</u>
Port A Scrub	1 yr	6 months	10 yrs	0
MPV 13	1 yr		0	0
MPV 14 & 18	2 yrs	1 yr	0	0
V Series Upright Vacuums	1 yr	1yr	0	0
Rapid Air Blower	1 yr	1 yr	10 yrs	0
Explosion Proof Vacuum	1 yr	1 yr	0	0
X12, X12H & TRS 14	1 yr	1 yr	10 yrs	0
E17 & E20 Electric Scrubbers	1 yr	6 months	10 yrs	0
Pneumatic Vacuums	3 yr	1 yr	0	0

<u>Description</u>	<u>Parts</u>	<u>Labor</u>	<u>Poly</u>	<u>Travel</u>
Battery Operated Group	3 yrs	2 yrs	10	90 days
Sweepers	1 yr	1 yr	10	90 days
Internal Combustion Group	1 yr	1 yr	10	90 days
<b>Exception: PAS 14B</b>	<b>1 yr</b>	<b>1 yr</b>	<b>10 yr</b>	<b>0</b>

**Battery Chargers:** One year replacement  
 Replacement Parts: Ninety days  
 Batteries: 0-3 months replacement, 4-12 months pro-rate  
 Polyethylene Plastic Tanks: Tanks have 10yr warranty, no additional labor