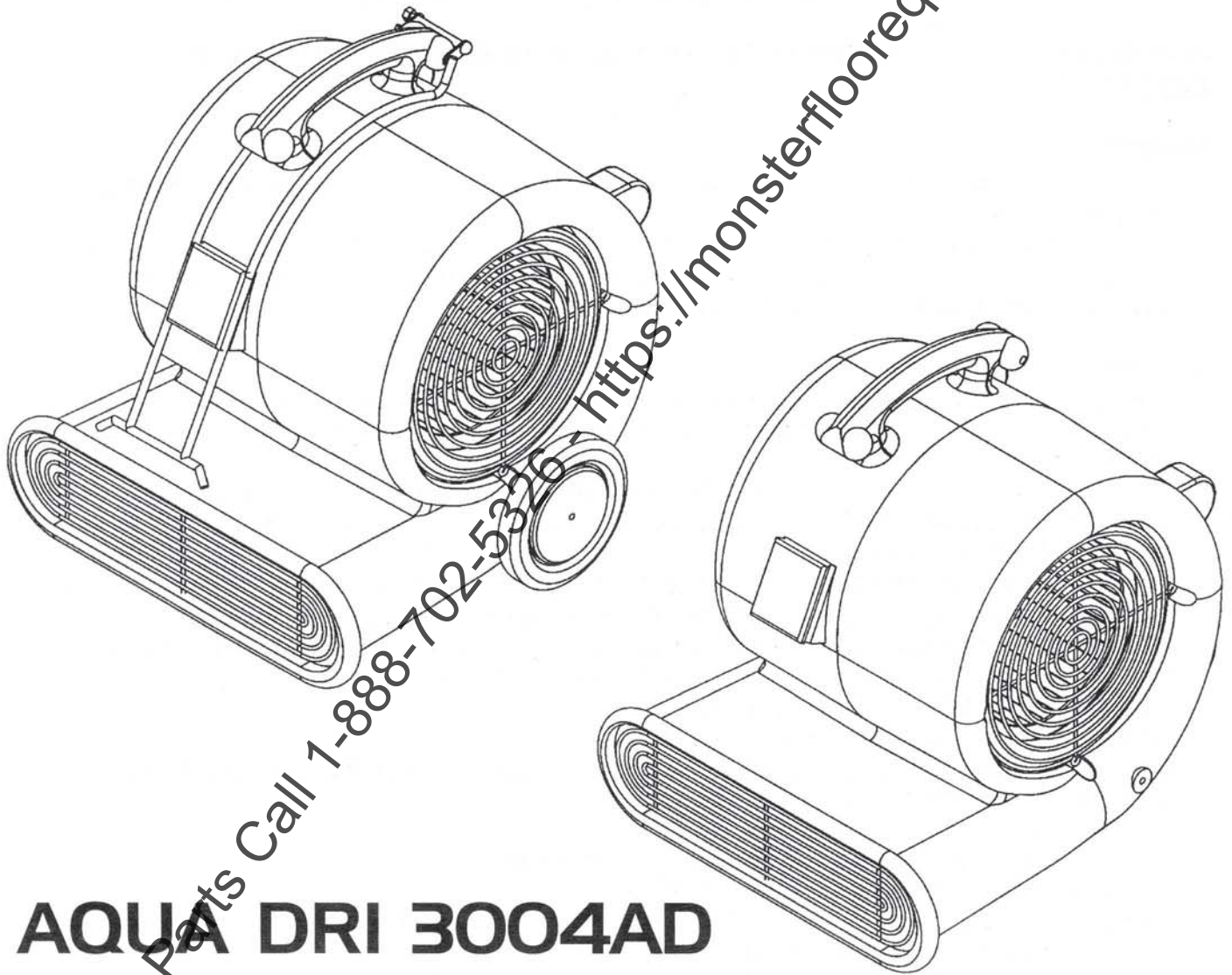


AQUA DRI OWNER'S MANUAL & PARTS LIST

This equipment is intended for commercial use only.



**AQUA DRI 3004AD
3005AD
3006AD**

EDIC

BEFORE OPERATING THE MACHINE

Read the manual carefully and completely before attempting to operate the unit. This manual has important information for the use and safe operation of the machine. Keep this manual handy at all times. This machine will assure years of satisfactory service if operated and maintained according to recommendations in this manual. If additional information is needed, please contact your local distributor or write to:

EDIC
1753 Blake Avenue
Los Angeles, CA 90031-1006

Electrical - 115 Volt

This machine is designed to operate on a standard 15 amp., 115 volt, 60 Hz, AC circuit. Voltages below 105 volts AC or above 125 volts AC could cause serious damage to the motor.

Electrical - 240 Volt

This machine is designed to operate on a standard 10 amp., 230 volt, 50 Hz, AC circuit.

IMPORTANT SAFETY INSTRUCTIONS READ AND SAVE THESE INSTRUCTIONS BEFORE USING

DANGER

- Improper connection of the equipment-grounding conductor can result in a risk of fire, electric shock or injury to person.
Check with a qualified electrician or service person if you are in doubt as to whether the outlet is properly grounded. Do not modify the plug provided with the air mover- if it will not fit the outlet, have a proper outlet installed by a qualified electrician.

WARNING

- This equipment is not designed to handle or use combustible/volatile substances such as gasoline or kerosene, in, on, or near the machine. The use of such materials will cause an extreme hazardous condition.
- Do not immerse or use this machine in standing water. Such use may cause electric shock.
- Disconnect the power cord from outlet before servicing. Do not leave machine connected to an electrical outlet when unattended.
- Do not use with damaged cord or plug. If air mover is not working as it should, has been dropped, damaged, left outdoors, or dropped into water, return it to an authorized service center.
- When using an extension cord, use only a 3 conductor grounding cord – 12 ga. wire or heavier.
- To avoid electric shock, do not expose the unit to rain – store it indoors only.
- Do not expose machine to freezing temperatures.
- Do not move or carry the unit when it is turned on.
- Do not pull or carry by the cord, use cord as a handle, close a door on the cord, or pull cord around sharp edges or corners.
- Keep cord away from heated surfaces.
- Do not unplug by pulling on cord. To unplug, grasp the plug, not the cord.
- Do not handle plug or air mover with wet hands.
- Do not put any object into openings. Do not use with any opening blocked; keep free of dust, lint, hair and anything that may reduce air flow.
- Keep hair, loose clothing, fingers and all parts of the body away from openings and moving parts.
- Turn off all controls before unplugging.
- Connect to a properly grounded outlet only. See grounding instructions.
- Operate unit on level and stable surface, to prevent it from falling and possibly cause injury.
- Do not drop or throw the unit. Treatment of this type can cause damage to the components and create a hazardous condition.

FAILURE TO COMPLY WITH THE ABOVE WARNING INSTRUCTIONS WILL VOID THE WARRANTY

GROUNDING INSTRUCTIONS

The 120 V. A/C and the 220 V. A/C models have been outfitted with the appropriate grounded connectors. Make sure the machine is connected to a grounded outlet having the same configuration as the grounded plug. No adapter should be used with this machine. Any modification to the connectors will void the warranty.

OPERATING PROCEDURES

Plug the Aqua Dri into a standard grounded outlet with correct voltage and amperage. Turn on the switch and check that the unit operates properly before leaving it unattended.

MAINTENANCE

1. Inspect the electrical cord and wiring for damage or discoloration.
2. Inspect for loose fasteners.
3. Clean screens on the side and front of the unit.
4. Listen for abnormal sounds.
5. Keep unit clean.

PERIODIC MAINTENANCE

Use compressed air or a vacuum to remove lint, etc, from motor, screen or blower wheel. Do not use a pressure washer to clean the unit.

TROUBLESHOOTING

ELECTRICAL SYSTEM

PROBLEM	POSSIBLE CAUSE
Does not turn on	<ol style="list-style-type: none">1. Switch is defective.2. Wall circuit breaker is tripped.3. Defective power cord.4. Capacitor is defective.
Does not operate at all speeds	<ol style="list-style-type: none">1. Switch is defective.2. Capacitor is defective.
Blower wheel rubs	<ol style="list-style-type: none">1. Wheel is out of round.
Unit makes abnormal sounds	<ol style="list-style-type: none">1. Defective motor.2. Foreign object struck.

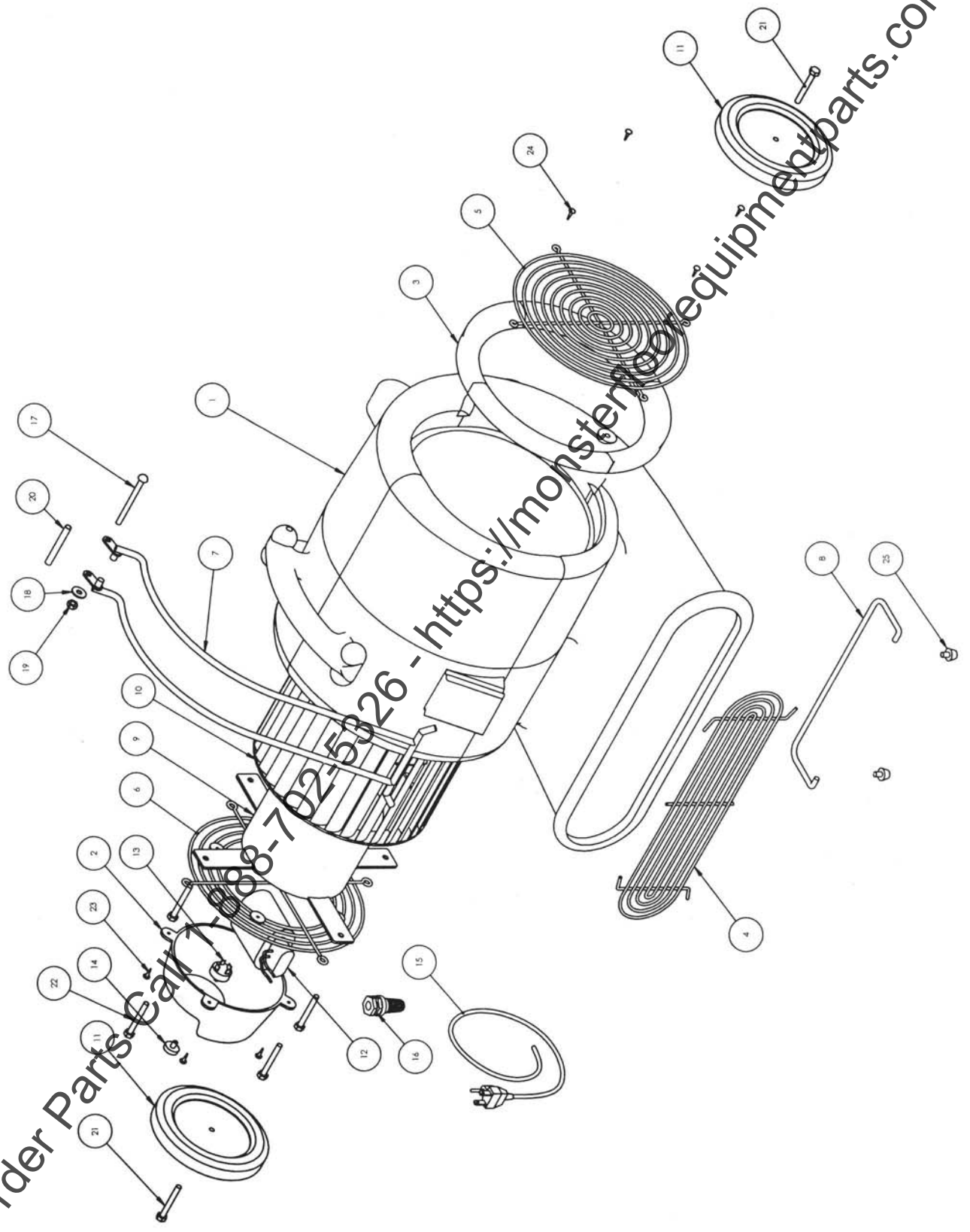
AQUA DRI 3004AD, 3005AD, 3006AD PARTS LIST

1	F 11822	ROTOMOLD, SMALL (3004AD)	1
1A	F 11822-1	ROTOMOLD, SMALL (3005AD)	1
2	F11842	HOUSING, SWITCH	1
3	F11856	PLASTIC CENTER RING	1
4	D11773	FRONT GRILLE (3004AD)	1
5	D11772	FRONT GRILLE (3005AD)	1
6	D11775	MOTOR GRILLE	1
*7	D11776	TOW HANDLE, LARGE	1
*8	D11777	TOW HANDLE, SMALL	1
9	G11823	MOTOR	1
10	G11826	9" FAN WHEEL (3004AD)	1
10A	G1186-1	10" FAN WHEEL (3005AD)	1
11	G11688	6" WHEEL	2
12		CAPACITOR ATTACHED TO MOTOR (#9)	1
13	B11825	ROTARY SWITCH	1
14	G00516-3	KNOB, SPEED CONTROL SWITCH	1
15	B10719	POWER CORD	1
16	B11821	STRAIN RELIEF	1
*17	C00317-3	HEX BOLT, 1/4-2X3	1
18	C00293	1/4" WASHER	4
*19	C00273	LOCKNUT 1/4-30 NYLON	1
*20	K11857	SPACER, TOW HANDLE	1
21	C02322	HEX BOLT, 1/4-20x1-3/4	1
22	C00314	HEX BOLT, 1/4x5/8	4
23	C02286	8-32x5/8 PAN PHILLIPS BLACK	4
24	C00293	8x1/2 PAN PHILLIPS BLACK	4
25	E11841	GROMMET	2

* OPTIONAL HANDLE ASSEMBLY

To Order Parts Call 1-888-702-5326 or visit www.simonsfloorequipmentparts.com

AQUA DRI 3004AD, 3005AD, 3006AD PARTS DIAGRAM



To Order Parts Call 888-702-5326

NOTES

To Order Parts Call 1-888-702-5326 - <https://monsterfloorequipmentparts.com>

NOTES

To Order Parts Call 1-888-702-5326 - <https://monsterfloorequipmentparts.com>

NOTES

To Order Parts Call 1-888-702-5326 - <https://monsterfloorequipmentparts.com>

