

Sahara Pro X3 TurboDryer

(Models: F351, F351-BE, F351-BUR, F351-GRN, F351-PR, F351-SM, F351-SP, F351-US, F351-YEL)

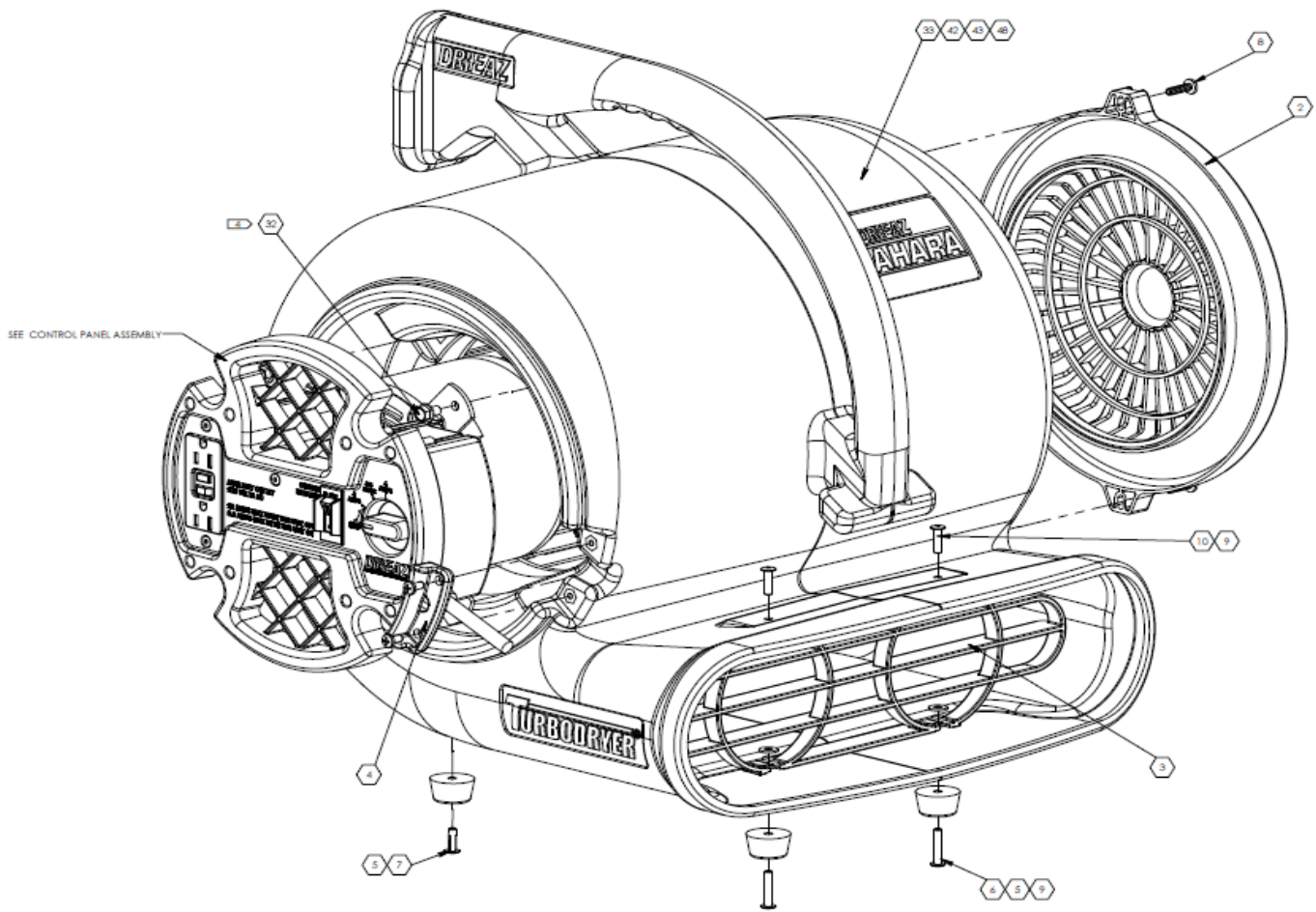
Symbol Definition

- * - multiple components to choose from for different models: voltage, size, color, etc.
- + - if you order this item, you may need to order additional items marked with same number of +'s in order to upgrade or complete repair

| Find # | Part Description | Part # | Measure | Qty |
|--------|--|-------------|---------|-----|
| | CONNECTOR - QC .250 FEM 90° FULLY INSUL 16/14 GA | 02-00133 | Ea. | 3 |
| | CONNECTOR - PIGGYBACK .250 18/14 GA | 02-00134 | Ea. | 1 |
| | CONNECTOR - RING #10 INSUL 14/16 GA | 02-00516 | Ea. | 1 |
| 24 | RECEPTACLE - COMMERCIAL 15A W/ GFCI | 02-01472 | Ea. | 1 |
| 20 | CIRCUIT BREAKER - 12A W/ SWITCH | 02-01473 | Ea. | 1 |
| | CONNECTOR - SPRING SPADE #8 INSUL GRIP 16/14 GA | 02-01475 | Ea. | 3 |
| 19 | MOTOR ASSY - 115V 1/3 HP 1000RPM 3SPD SAHARA | 02-01488 | Ea. | 1 |
| 16 | SWITCH - ROTORY 3 SPD SAHARA PRO X3/HD | 02-01491 | Ea. | 1 |
| 44 | CABLE TIE - 4" NYLON | 03-00012 | Ea. | 2 |
| 9 | WASHER - 3/16 RIVET.19 ID X .47 OD X .05 ZP | 03-00013 | Ea. | 12 |
| 26 | NUT - 8-32 NYLOC THIN ZP | 03-00015 | Ea. | 4 |
| 10 | RIVET - 3/16 X 1/2 AL/AL BLK ANOD | 03-00030 | Ea. | 2 |
| 6 | RIVET- 3/16 BLK ANODIZE LONG AAP 6-12 | 03-00032 | Ea. | 2 |
| 27 | NUT - #10-24 W/STAR WASHER ZP | 03-00038 | Ea. | 4 |
| | NUT - #10-24 HEX INSERT AL | 03-00089 | Ea. | 4 |
| 12 | SCREW- #10-24 X 1" HWH SER ZP | 03-00093 | Ea. | 1 |
| 32 | SCREW- 1/4-20 X 3/8 HWH NYLOC ZP | 03-00105 | Ea. | 4 |
| | INSERT- 1/4-20 X .50 X .50 HH AL | 03-00108 | Ea. | 4 |
| 5 | FOOT - ROUND 3/16 ID X 1.25 OD X 5/8 RUBBER BLK | 03-00131 | Ea. | 6 |
| 7 | RIVET - 3/16 X 5/8 TRI FOLD AL/AL | 03-00204 | Ea. | 4 |
| 28 | SCREW - #6 X 7/8 PHP ZP | 03-01003 | Ea. | 8 |
| 11 | SCREW - #10-24 X 3/8 PHIL PH ZP | 03-01359 | Ea. | 2 |
| 29,30 | RIVET - 5/32 X 1/4 TRI FOLD AL/AL BLK | 03-01487 | Ea. | 3 |
| 17 | KNOB - 1.38 OB BAR 6.0 X 4.5MM D SHAFT RUBBER | 03-01508 | Ea. | 1 |
| 8 | SCREW - #10-24 x 3/4 PHP ZP BLK | 03-01510 | Ea. | 2 |
| 31 | SCREW - #4 X 5/8 CH PHIL ZP | 03-01511 | Ea. | 2 |
| 15 | WASHER - #10 ANSI EXTERNAL TOOTH ZP | 03-01532 | Ea. | 1 |
| 46 | BAG - 23 X 48 X 17 POLY 1.5 MIL | 06-00045 | Ea. | 1 |
| 45 | BOX - 18.3 X 17.0 X 18.8 323DW HH48 RSC PLAIN | 06-01473 | Ea. | 1 |
| 47 | MANUAL - OWNERS 115V SAHARA PRO X3 W/07-000419 | 07-01537 | Ea. | 1 |
| 21 | CAPACITOR ASSY - 5MFD 375V BOX | 09-00012 | Ea. | 1 |
| 1 | BLOWER WHEEL ASSY - CENTRIFRUGAL 3.63 ID X 9.53 | S137 | Ea. | 1 |
| 18 | POWER CORD ASSY - 14/3 SJTW 5-15P 2FT SAHARA | 09-01476 | Ea. | 1 |
| 33 | HOUSING - POLETHYLENE FISHER BLU SAHARA | 09-01481S | Ea. | 1 |
| 3 | GRILL - SNOUT ABS BLK SAHARA | 09-01483 | Ea. | 1 |
| 22 | ELECTRICAL BOX - 5V ABS SAHARA | 09-01484 | Ea. | 1 |
| 23 | COVER - CONTROL PANEL 5V ABS BLK W/PRINTING | 09-01485-01 | Ea. | 1 |
| 4 | SUPPORT - POWER CORD ABS BLK SUPPORT | 09-01487 | Ea. | 1 |
| 25 | WIRING HARNESS - 115V SAHARA PRO X3 | 09-01488 | Ea. | 1 |
| 2 | VENTURI INLET GRILL ASSY SAHARA | 09-01492 | Ea. | 1 |

To Order Parts Call 1-888-702-5326 - <https://monsterboorequipmentparts.com/>

SAHARA Pro X3 PICTORIAL DRAWING



To Order Parts Call 1-888-702-5

