

LGR 3500i

(Models: F411, F411-AT, F411-BE, F411-BUR, F411-GRN, F411-ORG, F411-PR, F411-SM, F411-SP)

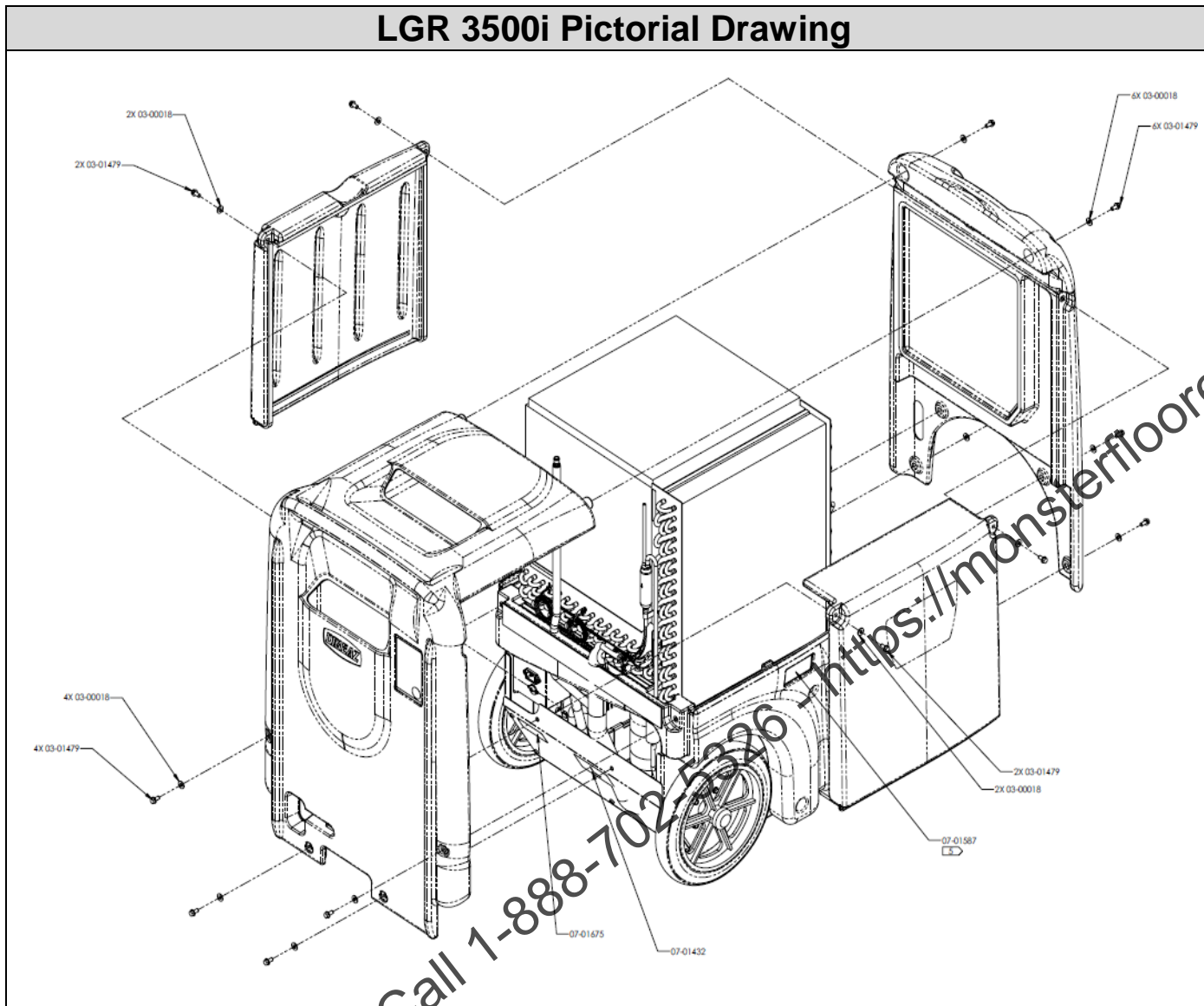
Part Description	Part #	Uom	Qty
BLOWER ASSY - MOTORIZED IMPELLER 115V 200W 2775 RPM	02-01612	Each	1
CABLE ASSY - JACKETED RJ45 7FT	02-01613	Each	1
POWER CORD ASSY - 14/3 SJT 5-15P/IEC 25FT	02-01614	Each	1
BATTERY - ALKALINE, AA	02-01620	Each	2
CABLE TIE - 4 NYLON	03-00012	Each	7
WASHER - 3/16 RIVET .19 ID X .47 OD X .05 ZP	03-00013	Each	3
WASHER - 1/4 SAE .281 ID X .625 OD X .06 ZP	03-00018	Each	28
PLUG - HOLE 1.13 DIA NYLON BLK	03-00027	Each	2
RIVET - 3/16 X 1/2 AL/AL BLK ANOD	03-00030	Each	3
RIVET - 3/16 X 5/8 STL/STL ZP	03-00039	Each	2
SCREW - 1/4-20 X 3/8 HWH NYLOC ZP	03-00105	Each	1
NUT - 5/8-11 UNC THIN ZP	03-00113	Each	2
WASHER - 5/8 AN .63 ID X 1.187 OD X .06 SS	03-00114	Each	2
GASKET - 1/2 X 1/2 POLYURETHANE PSA	03-00121	Foot	1.25
FOOT - ROUND 3/16 ID X 1.25 OD X 5/8 RUBBER BLK	03-00131	Each	2
GROMMET - .75 ID X 1.375 OD RUBBER	03-00179	Each	2
GASKET - .375 X .125 CLOSED CELL NEOPRENE / VINYL / NITRILE PSA	03-00201	Foot	16.08
SCREW - 1/4 -20 X 1/2 SER HWH NYLOC ZP	03-00209	Each	10
CLAMP - 3/8 ID HOSE GRN	03-00471	Each	1
WASHER - 3/8 USS .43 ID X 1.00 OD X .08 ZP	03-00506	Each	3
PUSH MOUNT - NYLON TIE	03-00771	Each	1
BOLT - SHOULDER 5/16-18 X 3/8 X 1.25	03-01336	Each	3
CABLE TIE - 6 NYLON	03-01463	Each	1
SCREW - M4 X 6MM PHP ZP	03-01467	Each	4
SCREW - 1/4-20 X 1.25 SER HWH ZP	03-01479	Each	20
GASKET - 1 X 1/2 POLYURETHANE PSA	03-01483	Foot	1.38
GASKET - .62 X .38 W/ RIBS EPDM PSA	03-01485	Foot	1.38
SCREW - #6 X 1/2 AB PHP ZP	03-01492	Each	4
GASKET - .375 X .187 EDPM PSA	03-01493	Inch	272
SCREW - 10-32 X .500 PHP ZP	03-01607	Each	5
SCREW - #10 X .625 PHP ZP	03-01608	Each	26
SCREW - #8-32 X .375 PHP ZP	03-01616	Each	2
GASKET - 2 X .125 EPDM PSA	03-01617	Foot	5.04
DUCT RING - 12 DIA POLYCARBONATE BLK	04-00042	Each	1
GRILL - W/FINISH GLS BLK VORTEX	04-00046	Each	1
BOX - 48 ECT RSC DW, 24 x 22 3/4 x 40 3/4	06-01496	Each	1
LABEL - CAUTION Y/B DEHUS	07-01432	Each	1
LABEL - BADGE	07-01670	Each	1

To Order Parts Call 1-888-702-5326 - <http://www.monsterflooringequipmentparts.com>

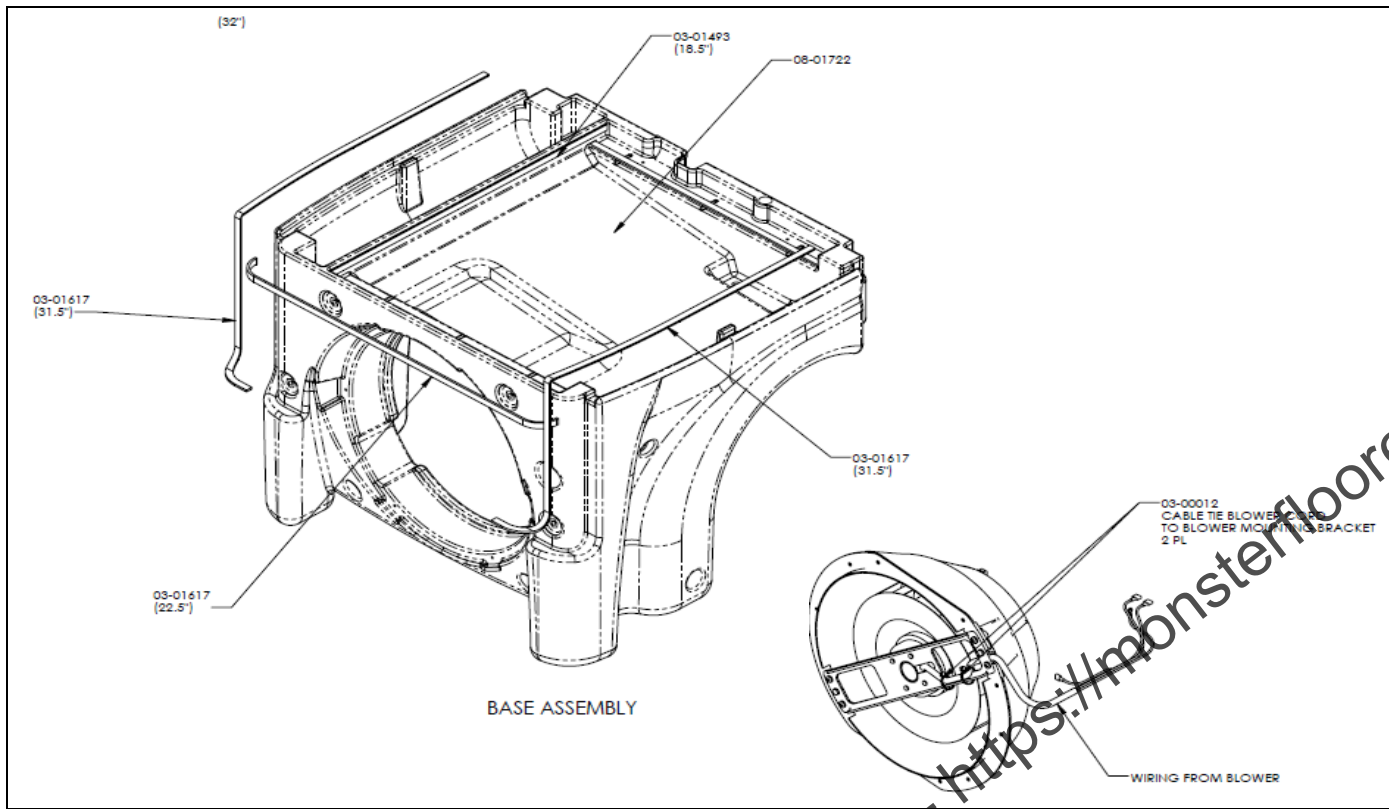
Part Description	Part #	Uom	Qty
MANUAL - OWNERS	07-01674	Each	1
LABEL - FCC	07-01675	Each	1
LABEL - PRODUCT 3500i	07-01714	Each	1
FITTING - QUICK DISCONNECT BODY 1/4 BARB	08-00302	Each	1
FITTING - QUICK DISCONNECT INSERT 3/8 BARB	08-00303	Each	1
INSULATION - CORK TAPE 2 X .13	08-00784	Foot	4.08
INSULATION - PIPE .375 ID X .375 WALL VINYL NITRILE	08-00785	Foot	0.25
REFRIGERANT - R410A	08-01522	Ounce	33
SENSOR CABLE ASSY - MICRO CONTROLLER TEMP DEFROST DEHUS	08-01721	Each	2
BASE - POLYETHYLENE FLINT GRAY	08-01722-09	Each	1
BACK PANEL - POLYETHYLENE FISHER BLU	08-01723	Each	1
FRONT PANEL - POLYETHYLENE FISHER BLU	08-01724	Each	1
SIDE PANEL - LEFT POLYETHYLENE FISHER BLU	08-01725	Each	1
SIDE PANEL - RIGHT POLYETHYLENE FISHER BLU	08-01726	Each	1
PUMP ASSY - CENTRIFUGAL 115V	08-01731	Each	1
REFRIGERATION LINES	08-01732	Each	1
CHASSIS - BASE GALV STL	08-01733	Each	1
AXLE ASSEMBLY - STUB 5/8 OD X 2.45 ZP STL	08-01735	Each	1
FAN SHROUD - MOTORIZED IMPELLER ABS BLK	08-01736	Each	1
COVER PLATE - CHASSIS	08-01739	Each	1
BRACKET - MOTORIZED IMPELLER GALV STL	08-01740	Each	1
INSULATOR - ABS BLK	08-01741	Each	2
BRACKET - PUMP GALV STL	08-01746	Each	1
COVER - COMPRESSOR TERMINAL - 115V LG 8600-R410A	08-01749	Each	1
GASKET - COMPRESSOR TERMINAL 115V LG 8600-R410A	08-01750	Each	1
NUT - COMPRESSOR TERMINAL COVER 115V LG 8600 R410A	08-01751	Each	1
WASHER - COMPRESSOR TERMINAL 115V LG 8600-R410A	08-01752	Each	1
VIBRATION MOUNT - COMPRESSOR 115V LG 8600-R410A	08-01753	Each	3
CONTROL PANEL ASSY - MEMBRANE TOUCH PAD CONTROL 2 SP 115/230V	08-01761S	Each	1
ELECTRICAL BOX ASSY	08-01762	Each	1
COIL - EVAP	08-01796	Each	1
COIL - COND	08-01797	Each	1
COMPRESSOR - ROTARY 11150 BTUH R410A	08-01805	Each	1
HEAT EXCHANGER - 16.50 X 16.00 X 15.38 X .11 POLYPROYLENE	08-01806	Each	1
OVERLOAD - COMPRESSOR 115S LG 11150 R410A	08-01810	Each	1
WHEEL - 12 X 2 X 5/8 BORE GRY (Includes DUST CAP, 13-01549)	13-00053	Each	2
TUBING - 3/8 X 5/8 OD BRAIDED PVC	13-00083	Foot	2.67
DUST CAP - 12 OD WHEEL NYLON BLK Included w/13-00053	13-01549	Each	2
TUBE - 1/4 ID X 3/8 OD VINYL	15-00195	Foot	40
TUBE - 1/2 ID X 3/4 OD VINYL	15-01463	Foot	1

To Order Parts Call 1-888-702-5326 - <https://monsterfloorequipmentparts.com>

LGR 3500i Pictorial Drawing

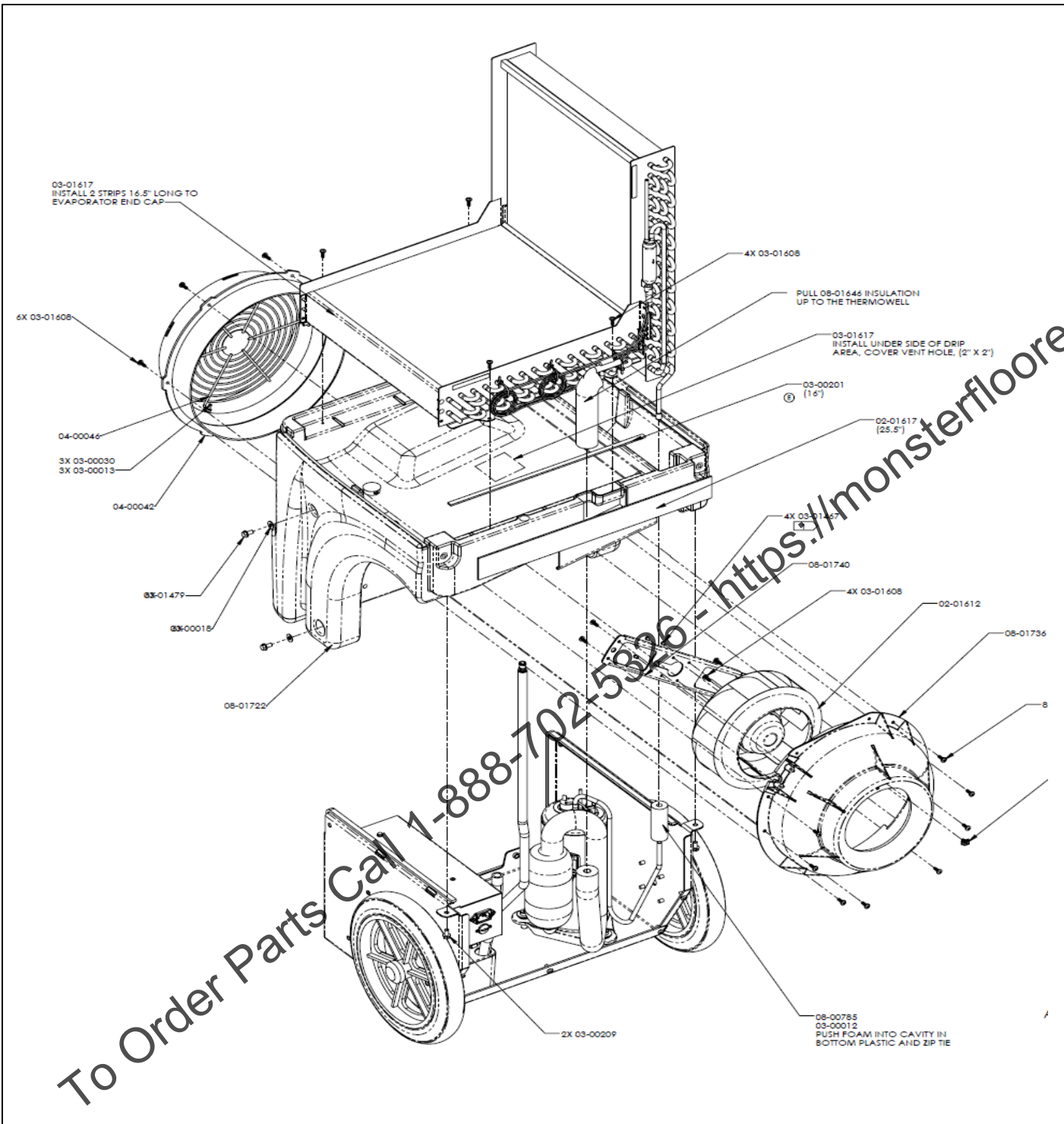


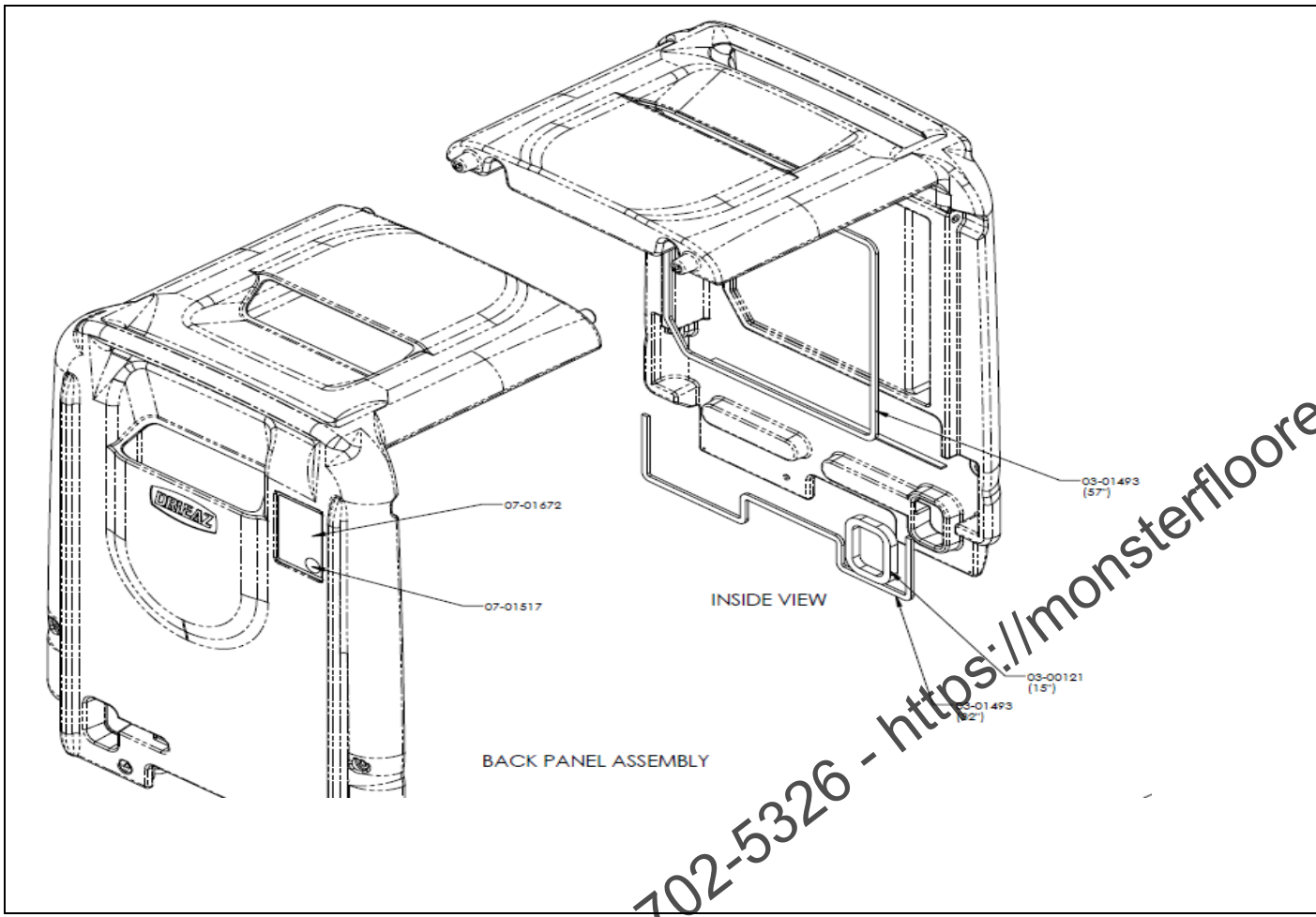
To Order Parts Call 1-888-702-5326 <https://monsterfloorequipmentparts.com>



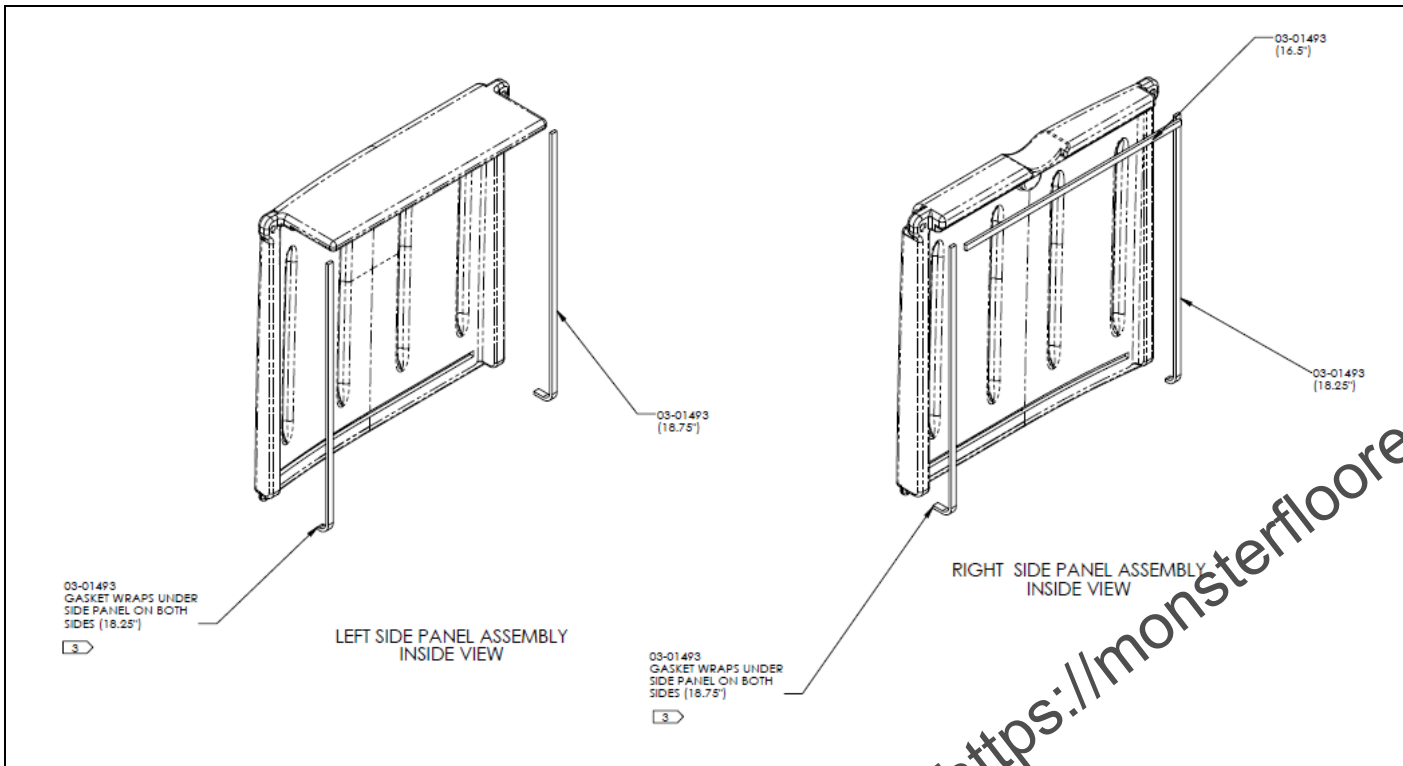
<https://monsterfloorequipmentparts.com>

To Order Parts Call 1-888-702-5326

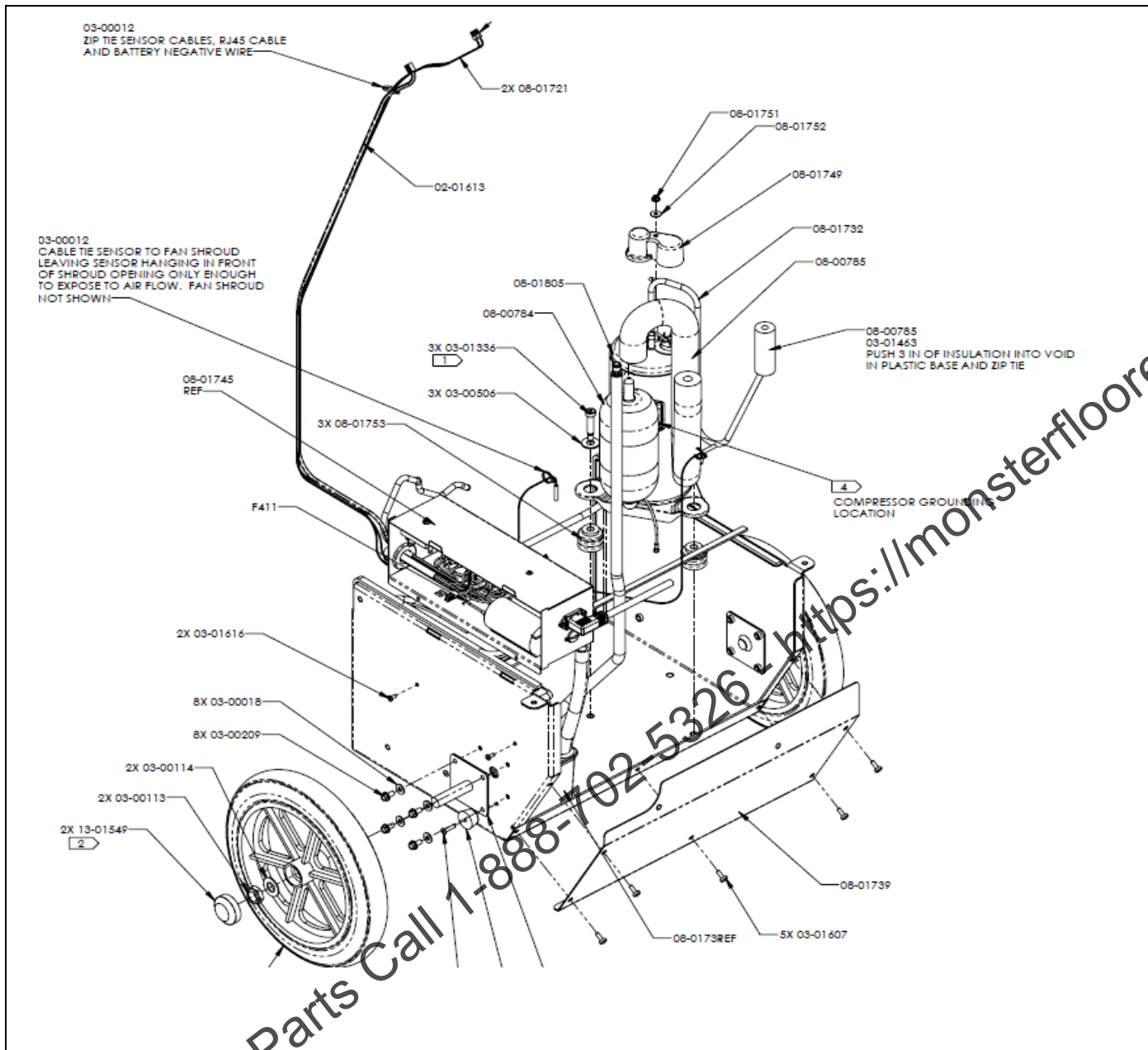




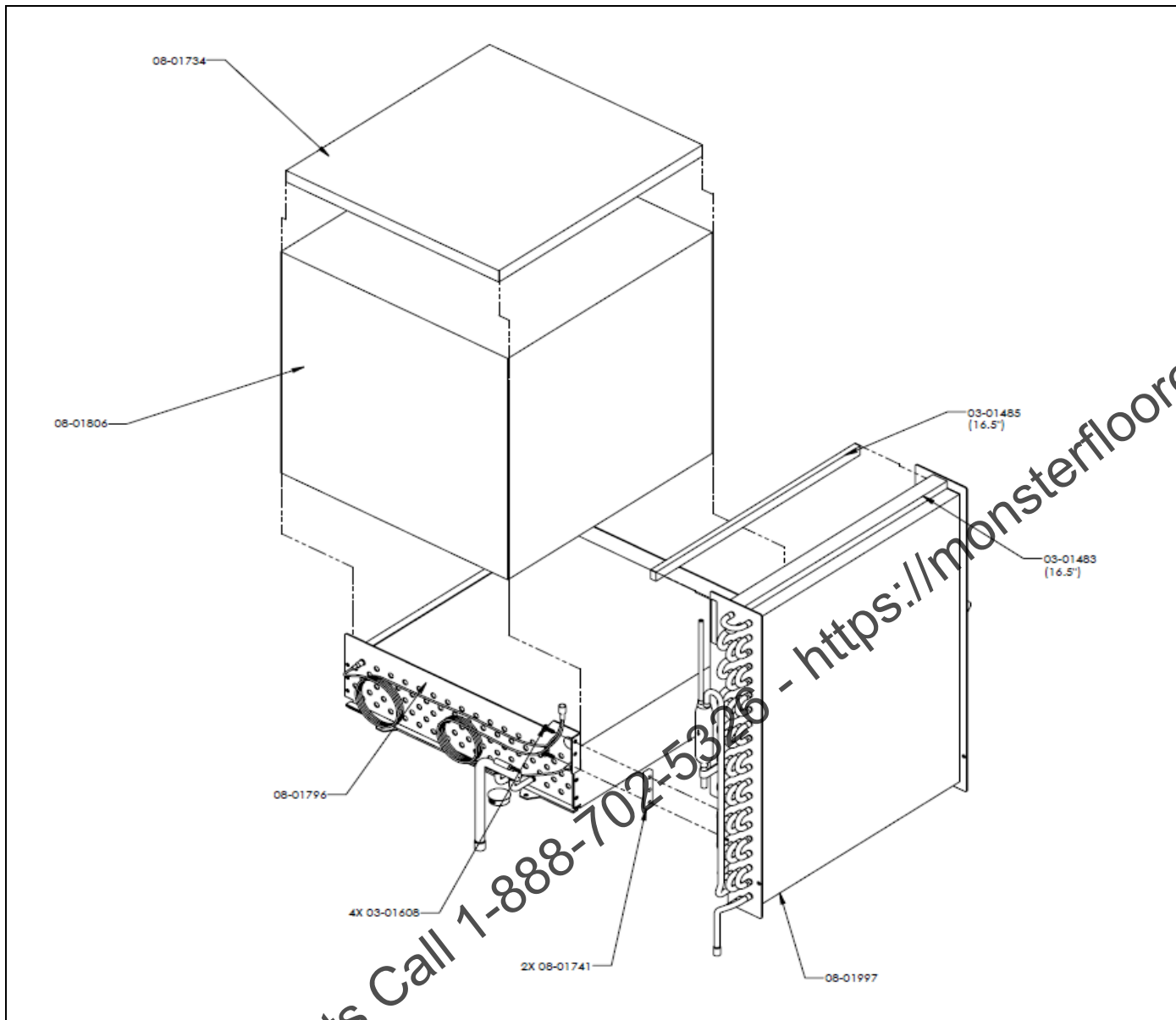
To Order Parts Call 1-888-702-5326 - <https://monsterfloorequipmentparts.com>

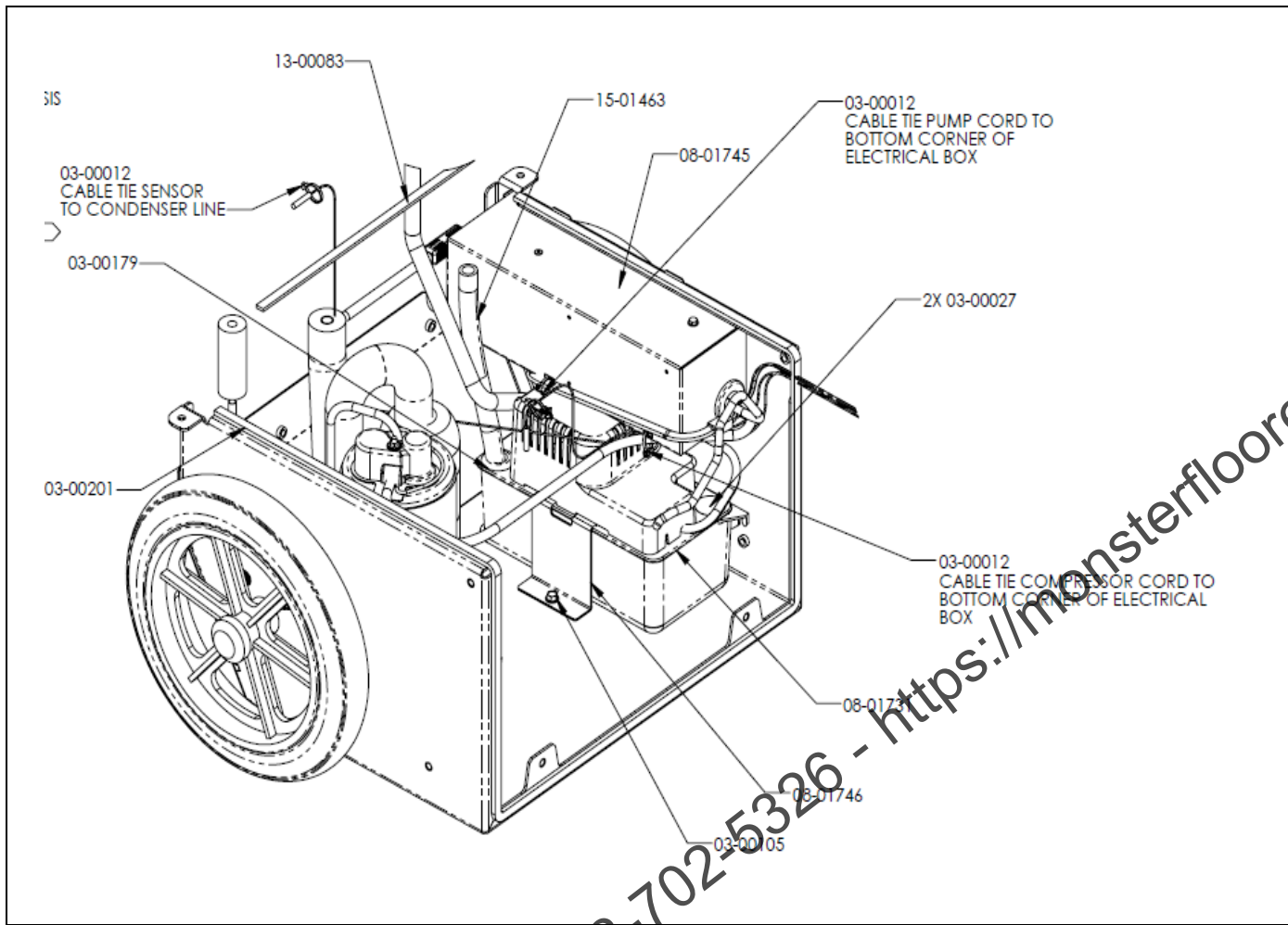


To Order Parts Call 1-888-702-5326 - <https://monsterfloorequipmentparts.com>

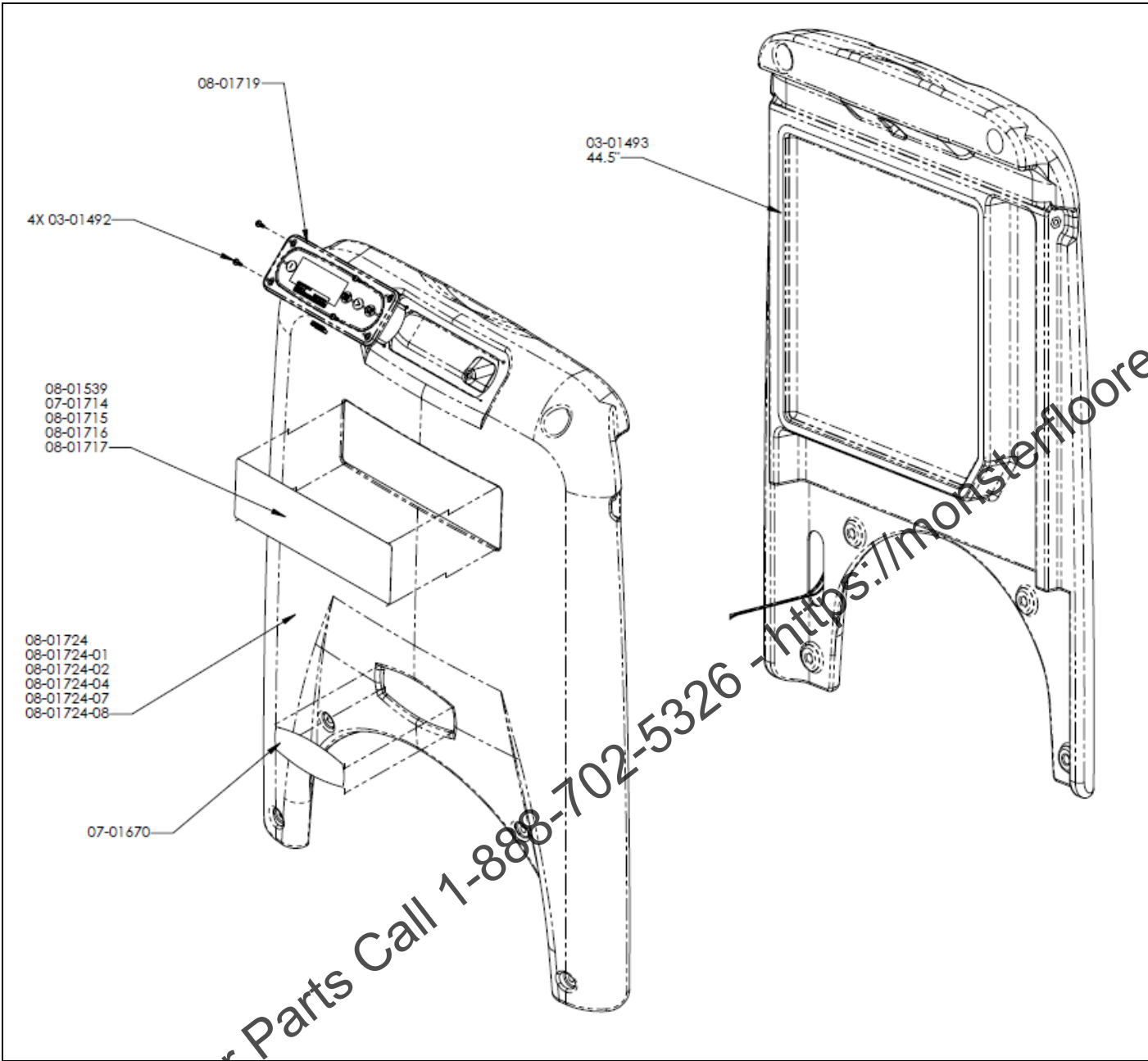


To Order Parts Call 1-888-702-5326

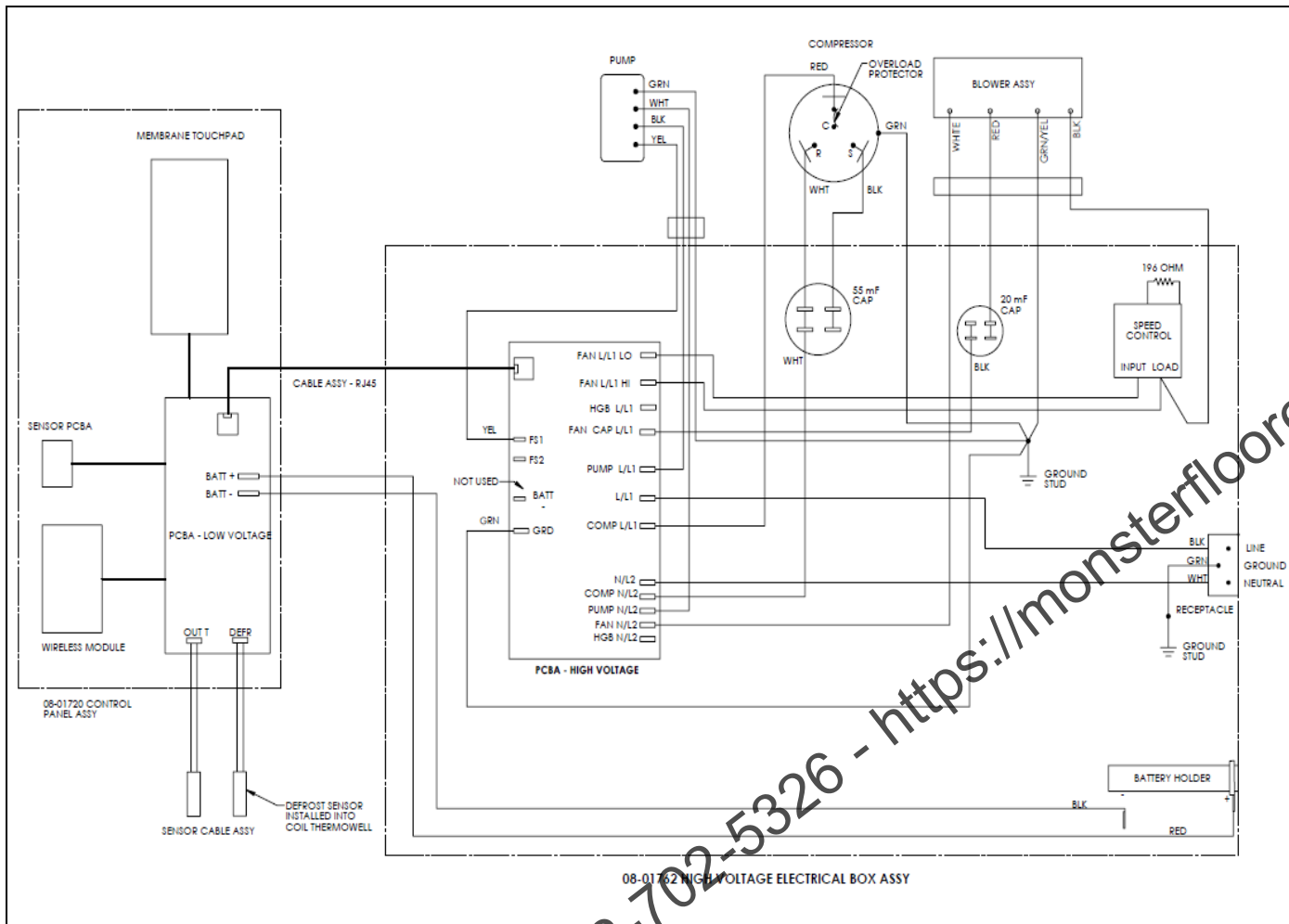




To Order Parts Call 1-888-702-5326 - <https://monsterfloorequipmentparts.com>



To Order Parts Call 1-888-702-5326 - <https://monsterfloorequipmentparts.com>



To Order Parts Call 1-888-702-5326 - <https://monsterfloorequipmentparts.com>