

# OWNER'S MANUAL



## GUZLER MODEL 620

- OPERATION
- MAINTENANCE
- TROUBLE SHOOTING
- REPAIR PARTS
- WARRANTY

READ THESE  
INSTRUCTIONS  
BEFORE USING

201 COMMERCE DRIVE • MONTGOMERYVILLE, PA 18936

215-393-4700 • 800-331-1423 • FAX 215-393-4800

## INTRODUCTION

This manual is designed to make your job easier. However, there is nothing more important than the safety aids and instructions that are found throughout this document. User experience provides the best feedback. We welcome your comments and suggestions.

## PURPOSE OF THIS MANUAL

This instruction manual is intended to familiarize operators with safety and maintenance procedures.

This manual should be kept available to all operating and maintenance personnel.

## RECEIVING THE EQUIPMENT

- Inspect for obvious shipping damage or missing parts.
- Chassis – pump plate, squeegee, and wheel condition.
- Parts – handle hardware is in parts bag located inside solution tank.
- Any damage or missing parts must be reported to Aztec Products within seven working days of receiving the equipment.

## GZ620 APPLICATIONS

Recommended surfaces:

- Vinyl and ceramic tile
- Sealed or finished concrete floors
- Wood, stone and terrazzo

## TRANSPORT OF EQUIPMENT TO SITES

- The GZ620 should be transported with the front swivel casters on the ground. The chassis should be in the “up” or transport position. When moving from site to site, be sure not to drag squeegee across parking lots or thresholds.
- Never lift tank by gripping the lid retainer ring.

## GZ620 SETUP

Mount Handle Assembly

- 1) Install (4) studs into inserts on rear of tank.
- 2) Install (1) nylon spacer on each stud.
- 3) Install (1) washer on each stud.

- 4) Install handle onto studs, then add (1) washer on each.
- 5) Install hex nuts – **Do not over tighten, or damage may occur.**
- 6) Mount handle, re-install washer, then nut, and tighten.

## GZ620 OPERATION

- 1) Floor surface should be swept free of debris prior to use.
- 2) Press down on the foot bar and lift on handle until chassis is locked down into the operating position. Do not press the foot pedal located on the right side of the foot bar.
- 3) Push the machine a few feet forward until squeegee is laid out. A side to side motion will help squeegee to lay out.
- 4) A normal walking speed assures nominal performance. The faster you go, the better the machine works. If the pump stops working, see TROUBLE SHOOTING. When foam escapes through breather hole in lid, tank is full (35 gallons) and must be emptied. See CLEANING UP.
- 5) When completed, return the chassis to the transport position by stepping on the foot pedal located on the right side of the foot bar. The 1/4 cup of liquid residue is easily mopped up.
- 6) If the floor is not being wiped dry, the squeegee may need adjustment. See TROUBLESHOOTING.

## CLEANING UP

- 1) Drain the tank — locate discharge valve at the front of tank. Position for proper draining. Lift “T” handle to regulate solution discharge. Tip machine forward for complete drainage. **Take care not to damage squeegee when draining.**

### DANGER!

**Solution will discharge in a large steady stream with some pressure. Wear protective eye wear and avoid skin contact with all chemicals used in this tank.**

- 2) Rinse the tank with water.
- 3) Remove hose from the top of the pump to drain solution that is past the pump.

Order Parts Call 1-800-762-5326 - https://www.aztecproducts.com/equipmentparts

- 4) To tilt machine, rest the unit on the foot bar and handle. This will expose the undercarriage for cleaning.
- 5) Rinse wheels, chassis, and squeegee.
- 6) Drain pump by gently pressing on the inlet flapper valve located in the center of the pump plate.
- 7) Flushing pump: hold a hose next to the inlet flapper valve while simultaneously activating the pump by turning a drive wheel. Be sure to drain excess solution from pump.
- 8) Re-install hose to pump.

**GGZ620 STORAGE**

- It is very important to drain all liquid from the unit if it is to be stored or transported in freezing conditions.

**TROUBLESHOOTING**

*Problem:* NOT LEAVING FLOOR DRY

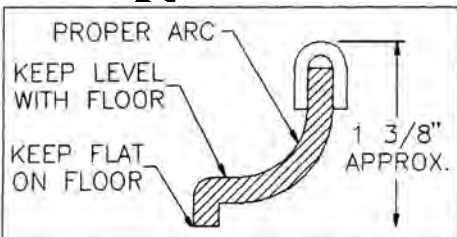
*Solution:* Remove debris collected between the floor and the squeegee. Put debris in tank. Wipe squeegee of any debris. Adjust squeegee up or down to obtain optimum performance. See SERVICE. If streaking continues check for nicks and/or tears in the squeegee.

*Problem:* NOT PICKING UP LIQUID

*Solution:* Re-prime pump by holding hand over pump hose while pushing the machine forward quickly. If still no suction, check inlet and outlet flapper valves for debris. To check outlet flapper remove the return tube below. If no debris found, the pump is worn or has not been cleaned properly. See PUMP SERVICE.

*Problem:* LEAKS

*Solution:* See REPAIRING LEAKS section.



**CORRECT SQUEEGEE PROFILE (FIG 1)**

**SERVICE**

**SQUEEGEE ADJUSTMENT**

*Adjusting Squeegee* — The three bolts which attach the squeegee will also adjust the squeegee height. Turn the bolts clockwise (to raise) or counter clockwise (to lower). A 1/2 turn should be enough. Be sure lock nuts are snug. Check performance and adjust accordingly. See figure 1.

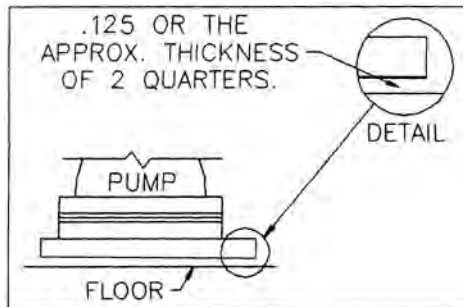
**PUMP SERVICE**

- *Cleaning Pump* — Remove pump. Wash in warm water. Make sure that all debris is cleared from inlet and outlet flapper valves. Check for worn parts.
- *Adjusting Pump Plate* — Loosen four nuts holding pump and adjust so black plate is 1/8" from the floor. Check for wear on foot pedal. See figure 2.
- *Rebuilding Pump* — Remove pump. Replace inlet, outlet and then diaphragm components of the pump. Only tighten screws until tan hinge gasket starts to squeeze out. Check pump for suction before re-installing.

**REPAIRING LEAKS**

*Isolate leak.*

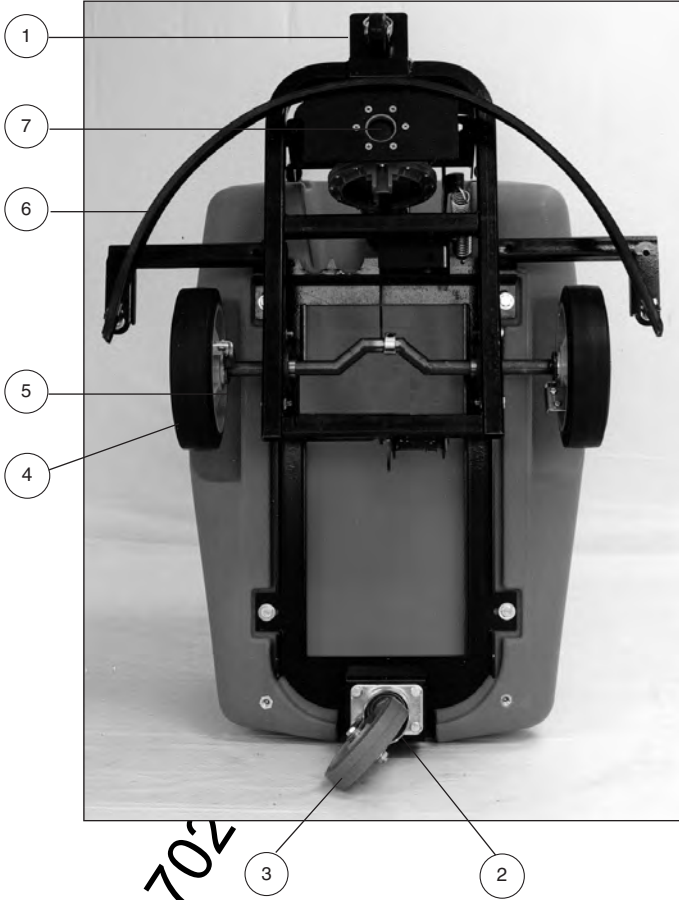
- *Fitting Leak* — Remove fitting, clean and smooth the surface and/or gasket. Apply silicon and re-install.
- *Body Leak* — Contact Aztec Products, manufacturer.



**PUMP PLATE CLEARANCE TO FLOOR (FIG 2)**

<https://mopsteelequipmentparts.com> 7-888-710-5326

Equipmentparts



- |    |                                   |    |                                |
|----|-----------------------------------|----|--------------------------------|
| 1. | 156-EY435 – 2" Swivel Caster      | 5. | 307-72-9002 – Wheel Driver Tab |
| 2. | 150-17104 – 1 1/2 Gate Valve      | 6. | 015-62-644 – Squeegee Assembly |
| 3. | 156-2-4056-445 – 4" Swivel Caster | 7. | 016-71-9015 – Pump Plate       |
| 4. | 156-XA-08251-12 – 8" Wheel        |    |                                |

Order Parts Call 1-888-702



- |     |                                       |     |                              |
|-----|---------------------------------------|-----|------------------------------|
| 20. | 647-60032 – 8" Lid                    | 25. | 016-71-9500 – Pump Assembly  |
| 21. | 164-931C200HC52 – Adjusting Bolt      | 26. | 164-931CNKLSZ – 5/16 Kep Nut |
| 22. | 164-9-5589 – Chassis Spring           | 27. | 285-74-9051 – Handle         |
| 23. | 283-76-9010 – Foot Pedal              |     |                              |
| 24. | 164-931C300HTBZ – Center Adjust. Bolt |     |                              |

Order Parts Call 1-888-702

Equipmentparts

**LIMITED ONE YEAR WARRANTY**

*Aztec Products, Inc. warrants its products to be free from defects in material and workmanship for a period of one year from the date of sale.*

*Aztec Products, Inc. agrees, at its option, to repair or replace at its own expense any product or part(s) which examination proves to be defective in workmanship or materials provided that the purchaser notifies Aztec Products, Inc. directly, within the warranty period, and follows the Return Policy.*

*This warranty does not apply to or cover equipment damaged by misuse, abuse, neglect, accident, or any use not specified in the instruction manual, or any other circumstances that are out of the control of Aztec Products, Inc. or their authorized agents.*

*All repairs or changes must be made under the supervision or arrangement of Aztec Products, Inc. or their agents unless prior written consent has been issued. Any deviation from this arrangement shall make the owner of the equipment and/or party involved in those changes responsible for any and all damages resulting from such changes.*

*The foregoing is the entire and only Aztec Products, Inc. warranty which in no event covers incidental or consequential damages resulting from any such defective product or part(s). This warranty gives specific legal rights. Purchaser may have other rights which vary from state to state.*

**This warranty is non-transferable.**

**AZTEC PRODUCTS, INC.**

201 Commerce Drive • Montgomeryville, PA 18936 • 800-331-1423 • Fax 215-393-4800

**RETURN GOODS POLICY**

*As our customer, you are aware that the design and construction of this product are both innovative and unique. Since this is true, in order to troubleshoot our equipment, we rely heavily on returned defective or failed parts so that we can examine the causes of failure. While this may at first seem to be an inconvenience, ultimately you benefit from safer, better designed machine components. Please give us the opportunity to serve you better by following these RGA (Return Goods Authorization) rules.*

1. We maintain the serial number, date of shipment or sale, and customer name on each piece of equipment sold. If you were the purchaser, please reference that information on your request for replacement or repair. If you purchased the equipment through a dealer, please include the company name, the date, and the serial number of the product.
2. Ask for an RGA number when you are ordering the replacement part. Return the failed part within 14 days, freight prepaid, exactly as it was at the time of failure. Our inspection and evaluation will

*attempt to determine the probable cause of failure.*

3. If our inspection reveals that the failed part was defective, we will credit your account for the entire amount of the part including your cost of return freight, but not packaging expense. When incomplete parts are returned for credit, their condition or state of incompleteness will be assessed against the credit claim.
4. We will not accept freight collect returns or returns that do not indicate the RGA # on the packing list.

*Your satisfaction is extremely important to us. We intend to be reasonable on any matter that is related to our warranty service or other wear-related problems which our customers feel need attention. Please help us to help you. Before assuming that a part is defective, check the repair manual to see if the problem might be something that you or one of your employees might be capable of correcting. If it is not, follow the above policy and depend on us to respond quickly and responsibly.*

Order Parts Call ;

**PROTECT YOUR WARRANTY!**

*Read carefully, any questions regarding the care and safety of this unit, please*

**CALL (800) 331-1423**

Notes

Order Parts Call 1-888-702-5326 - <https://monsterfloorequipmentparts>

Order Parts Call 1-888-702-5326 - <https://monsterfloorequipmentparts>



**201 COMMERCE DRIVE • MONTGOMERYVILLE, PA 18936**  
**215-393-4700 • 800-331-1423 • FAX 215-393-4800**