

PRICE \$1.75

Beginning with
Serial No. 100

McGRAW-EDISON

Clarke®



READ THIS BOOK

This book has important information for the use and safe operation of the machine. Read this book carefully before starting the machine. Keep this book and tell all operators to read the book. If you do not follow the instructions, you can cause an injury, or damage equipment, furniture or buildings.

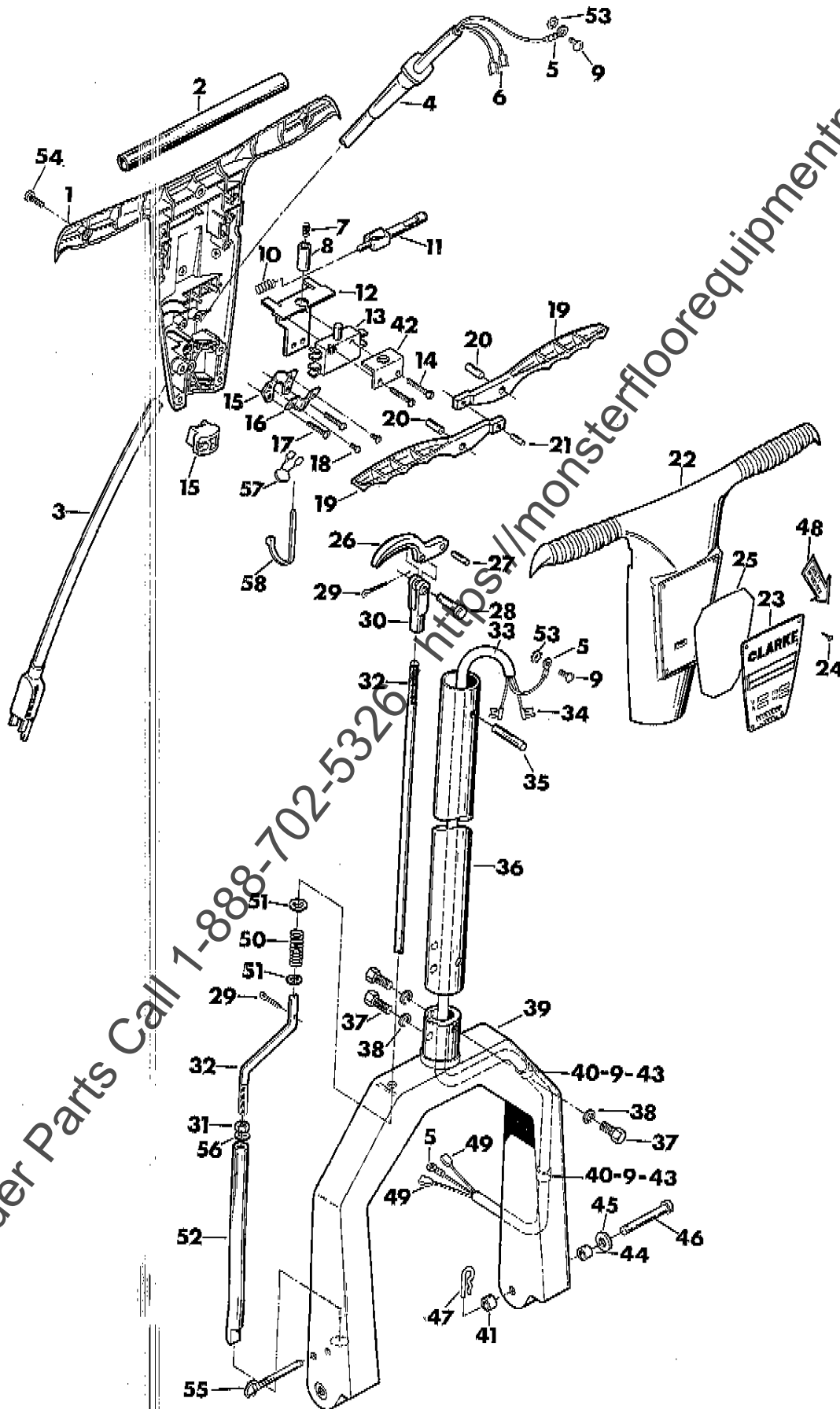
All directions given in this book are as seen from the operator's position at the rear of the machine.

For new books, write to: Clarke, A McGraw-Edison Co., 2800 Estes Street, Muskegon, Michigan 49441.

**Instruction Book
and Parts List**

Model 1000 AC

CLARKE® Model 1000 AC Drawing #1 Handle Assembly 7/84



To Order Parts Call 1-888-702-5326 <https://monsterfloorequipmentparts.com>

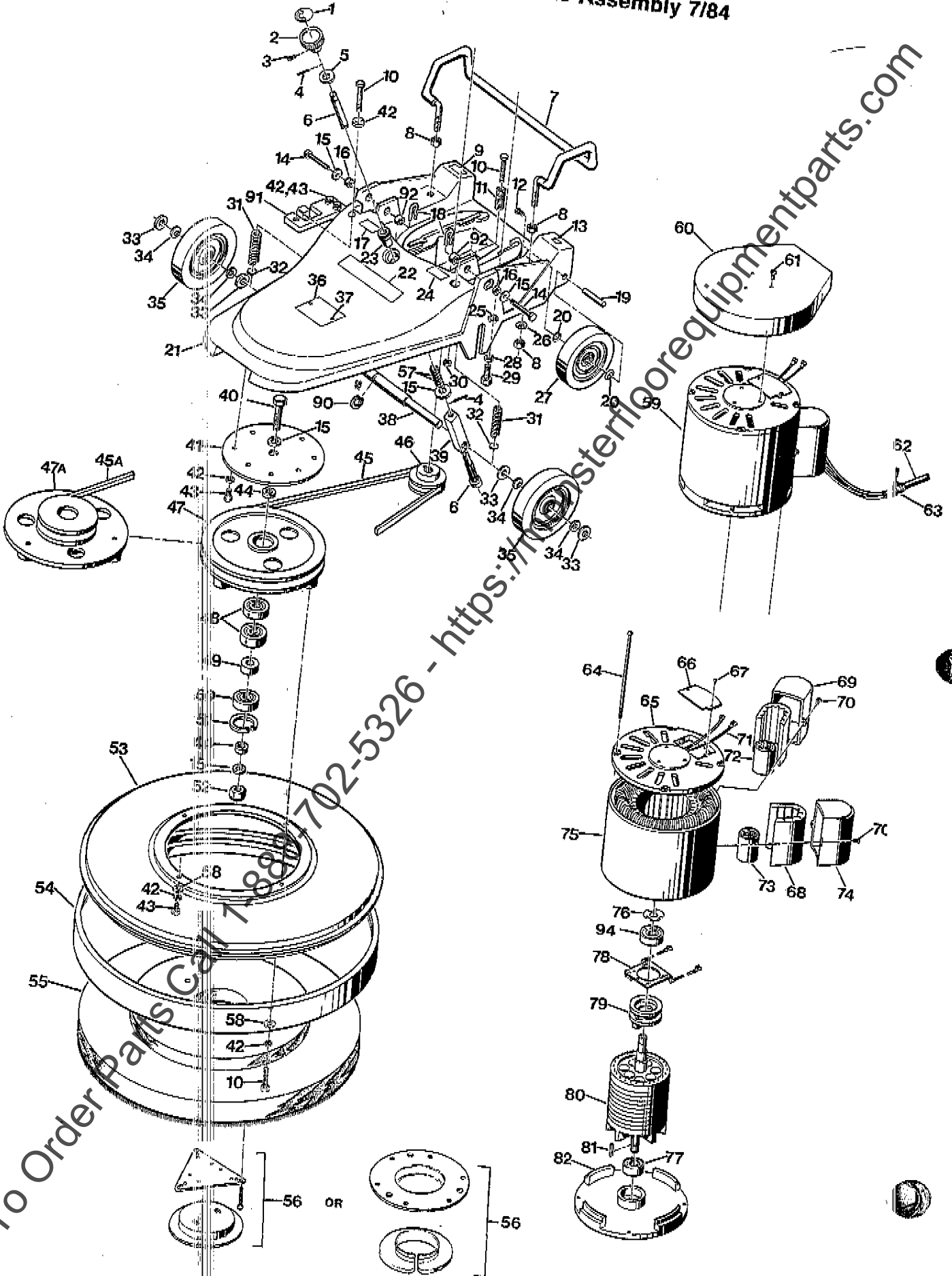
CLARKE® Model 1000 AC Parts List #1 Handle Assembly 7/84

Ref. No.	Code No.	Description	No. Req'd.
1	32306A-2	Cover	1
2	449061-1	Tube	1
3	907086-3	Cord Assembly	1
4	437532-5	Strain Relief	1
5	911933-0	Terminal Clip	1
6	912179-9	Terminal Clip	3
7	768340-2	Spring	2
8	500241-5	Adapter	1
9	85307A-9	Screw - 10-32 x 5/8 Pan	1
10	67900A-8	Spring	4
11	38001A-7	Stop	1
12	430834-2	Bracket	1
13	911690-6	Switch	1
14	962212-7	Screw - 6-32 x 7/8 Pn St	1
15	432032-1	Clamp - Cord	2
16	432033-9	Clamp - Cord	1
17	962727-4	Screw - #8-18 x 1 1/2 Lg. Pn	2
18	962407-3	Screw - 8-32 x 1 1/2 Rd St Sems	2
19	435131-8	Lever	2
20	446760-1	Pin - Outer Pivot	2
21	925599-3	Pin - 5/32 x 1/2 Groove Type B	1
22	35202A-0	Housing - Switch	1
23		Plate - Model and Serial No.	1
24	962282-0	Screw - 0-00 x 3/16 Rd Hd Drive	4
25	43601A-1	Insulator	1
26	445167-0	Lever	1
27	925128-1	Pin - 3/16 Dia. x 5/8 Lg. Dowel	1
28	696703-8	Pin	1
29	925575-3	Pin - Cotter	2

Ref. No.	Code No.	Description	No. Req'd.
30	699901-5	Yoke - Latch	1
31	920064-3	Nut - 1/4-28 Hex	1
32	67103A-3	Rod	1
33	909005-1	Cord	1
34	911594-0	Terminal Clip	1
35	925600-9	Pin - 1/4 Dia. x 1-7/8 Lg. Dowel	2
36	439060-5	Tube	1
37	962147-5	Screw - 5/16-18 x 1/2 Hex Hd	1
38	980652-2	Washer - 5/16 Lock	3
39	29400A-3	Yoke	3
40	812180-8	Clip	1
41	61401A-5	Bushing - Yoke (Inner)	2
42	61108A-1	Bracket	Ref.
43	920224-3	Nut - 10-32 Hex	1
44	61400A-6	Bushing - Yoke	2
45	980873-8	Washer - 1/2 x 7/8 x 3/64	Ref.
46	836709-6	Pin	Ref.
47	766780-1	Handle Lock Pin	Ref.
48	445178-7	Label - Interlock	Ref.
49	912339-9	Terminal	1
50	878304-5	Spring - Rod Return	2
51	980646-4	Washer - 1/4 Plain	1
52	437460-9	Rod	2
53	980603-5	Washer - #1110	1
54	962906-1	Screw - 13-16 x 3/4 Pn St HILo	4
55	836707-0	Release Pin	9
56	980614-2	Washer - #1114 Shakeproof	1
57	16409A-1	Varistor Assembly	1
58	899254-7	Wire Tie	1

To Order Parts Call 1-888-702-5326

CLARKE® Model 1000 AC Drawing #2 Main Frame Assembly 7/84



To Order Parts Call 1-800-702-5326

CLARKE® Model 1000 AC
Parts List #2 Main Frame Assembly 7/84

Ref. No.	Code No.	Description	No. Req'd.
1	435162-3	Label - Pad Leveling	
2	745080-2	Knob	1
3	85307A-9	Screw - 10-32 x 5/8 Pn St	1
4	925550-6	Pin - 1/8 x 1 Roll	1
5	980615-9	Washer - 7/16 I.D. Flat	2
6	67408A-5	Shaft - Wheel Adjusting	2
7	67102A-4	Rod	1
8	920148-4	Nut - 3/8-16 Hex Jam	1
9	805160-9	Label - Inspection	4
10	962558-3	Screw - 1/4-20 x 2 1/4 Hex	1
11	778367-3	Spring	5
12	962379-4	Screw - 1/4-20 x 1 1/4 Soc	1
13	215108-2	Label - Mfg. Date	2
14	836709-6	Pin	1
15	980673-8	Washer - 1/2 Plain	2
16	61400A-6	Bushing	6
17	215110-8	Label - Caution	2
18	766780-1	Pin - Handle Lock	1
19	437760-2	Shaft	2
20	980680-3	Washer - Wave	4
21	34002A-5	Main Frame	4
22	605148-8	Label - Clarke	1
23	431160-1	Bushing	1
24	215103-3	Label - Caution	1
25	980629-0	Washer - Plain	1
26	980666-0	Washer - Shakeproof #1120	4
27	419704-2	Wheel - 4" Diameter	2
28	980638-1	Washer - 3/8 Lock	2
29	962100-4	Screw - 3/8-16 x 7/8 Hex	4
30	920208-6	Nut - 1/4-20 Hex	4
31	898359-5	Spring	1
32	431162-7	Bushing	2
33	980099-6	Washer	2
34	980661-1	Wave Washer	4
35	439760-0	Wheel - 5" Diameter	4
36	446303-0	Plate - Fire Warning	2
37	930074-0	Rivet - 1/8 Diameter	1
38	67406A-7	Shaft	2
39	66906A-4	Bracket	1
40	981010-6	Screw - Sheave Mounting	1
41	66620A-9	Plate	1
42	980657-1	Washer - 1/4 Lock	1
43	962139-2	Screw - 1/4-20 x 5/8 Flat	16
44	438261-0	Spacer - Sheave	12
			2

Ref. No.	Code No.	Description	No. Req'd.
45a	50901A-3	Belt - Drive Howell Motor	
46	57202A-4	Pulley - Howell Motor	1
47a	27300A-8	Sheave - Howell Motor	1
48	902733-5	Bearing - Set of two	1
49	438262-8	Spacer	1
50	902659-2	Bearing	1
51	857301-6	Retaining Ring	1
52	920365-4	Nut - 1/2-13 Elastic Stop	1
53	67500A-2	Shield - 20"	1
54	441296-1	Bumper - 20"	1
55	17510A-5	Pad Driver - 20"	1
56	884015-9	Holder	1
	15502A-9	Holder	1
57	438360-0	Spring	1
58	980646-4	Washer - 1/4 Plain	2
59	44604B-4	Motor	7
60	32310A-6	Cover	1
61	962350-5	Screw - 10-32 x 1/2 Pn	1
62	909005-1	Card Asm.	3
63	437561-4	Strain Relief	1
64	57906A-3	Screw - Rd Hd	1
65	57907A-2	Shield-End, Front	4
66		Lead	1
67		Screw - #10 Self-Tap	1
68	448502-5	Switch - Stationary	2
69	5702A-0	Cover - Capacitor	1
70		Screw	1
71		Lead	4
72	442475-0	Capacitor	2
73	442474-3	Capacitor	1
74	442305-9	Cover - Capacitor	1
75	57800A-0	Ring Assembly - Field	1
76		Washer - Press Type	1
77	51102A-8	Bearing - Rear	1
78		Brush Board Assembly	2
79	912321-7	Switch - Rotary	1
80	58300A-3	Armature	1
81	915044-2	Key - 3/16 x 3/16 x 1-1/2 Lg.	1
82	57908A-1	Shield-End, Rear	1
90	857345-3	Retainer	1
91	26501A-7	Plate - Striker	2
92	61401A-5	Bushing	1
93	920296-1	Nut - 10-24 Elastic Stop	2
94	902062-9	Bearing	1
			1

To Order Parts Call 1-888-702-5326